

ENGINEERING
TOMORROW

Danfoss

50 and 60Hz Catalogue

Danfoss **Light Commercial Refrigeration** Compressors Small L and B Ranges

R134a | R600a | R290



lightcommercialrefrigeration.danfoss.com

Table of contents

General Information..... 4

 Labels and Approvals 5

 Compressor Nomenclature 6

 Operating Envelope 7

 How to read this Catalogue..... 8

Compressors Catalogue 9

 R134a..... 9

 R290..... 12

 R600a..... 14

Technical Information..... **16**

 Wiring Diagrams and Electrical Assembly 21

Small L and B Ranges

More compact · Wider range of products · More efficient

The aim of the Small L and B Ranges of Cubigel Compressors® is to replace the D range products in the small commercial appliances such as water coolers and small freezers, due to its compactness and efficiency.

The advanced design of the Small L and B Ranges offers to the market the best option with a wide range of products to minimize energy consumption. The compact size of these ranges makes them suitable for any type of small applications.

Small L range



Features:

More compact, more efficient

Range:

2.2 – 3.1cc

Refrigerants:

R134a, R600a

Applications:

Small refrigerators and freezers

B range



Features:

More displacement, more efficient, compactness

Range:

2.2 – 6.5cc

Refrigerants:

R134a, R600a, R290

Applications:

Water coolers, can / bottle coolers, small refrigerator and freezers

Labels and Approvals



Approvals



Directive compliance declarations



Flammable gases



Compressor Nomenclature

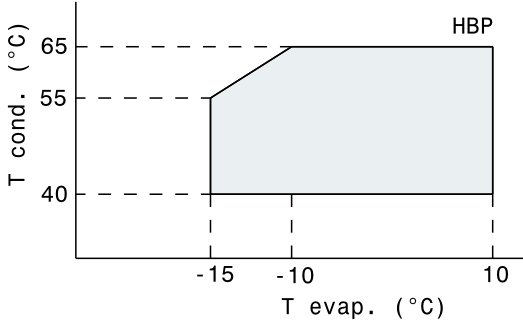
	B	C	35	C	5	B
<p>Range: L --> Small L range B --> B range</p> <p>For R290 (Propane) Models: C --> Without Running Capacitor G --> With Running Capacitor</p> <p>Displacement x10: 22 - 2.2cc 25 - 2.5cc 30 - 30cc</p> <p>Refrigerant & application: H = R134a LBP For R290 (Propane) Models: G = R134a HBP C = LBP - LST - Static C = R600a LBP R = HMBP - HST - Fan M = R600a HBP</p> <p>Voltage & Frequency: Blank = 220-240V 50Hz and 220-240V 60 Hz 0 = 100V 50/60Hz 5 = 115V 60Hz 7 = 127V 60Hz</p>						

Efficiency level:
Blank = Standard Efficiency For R290 (Propane) Models:
B = High Efficiency A = 220-240V 50Hz
A = Very High Efficiency
S = Top efficiency

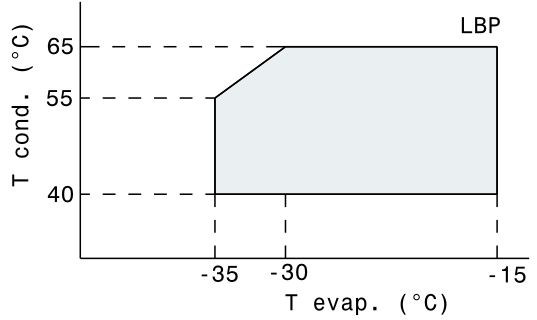
Operating Envelope

In order to grant the compressor reliability it is recommended that the point representing the operating conditions (suction and discharge pressures) falls within the shadowed area of the corresponding graph.

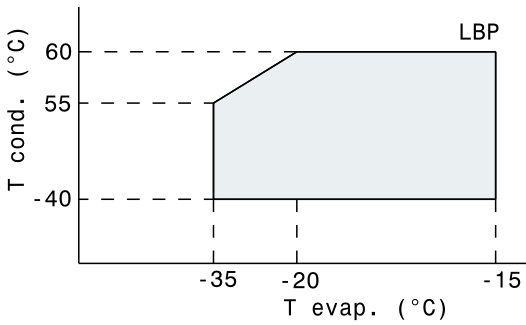
SOA R134a HBP Small L and B Ranges



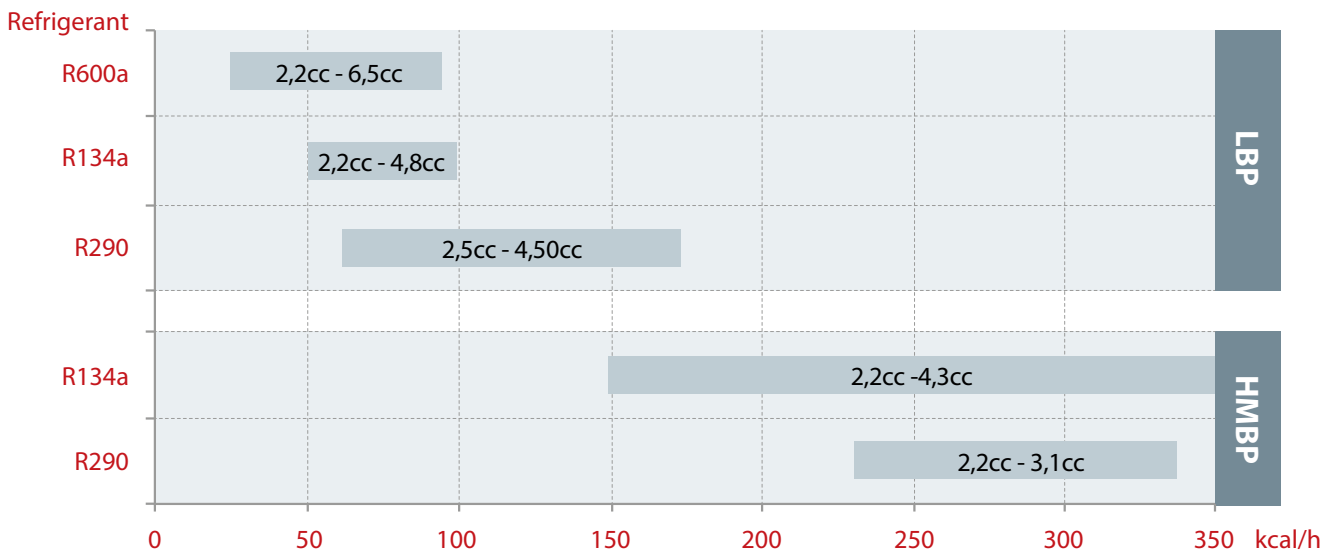
SOA R134a LBP Small L and B Ranges



SOA R600a LBP Small L and B Ranges













Small L and B Ranges Summary



How to read this Catalogue

Compressors

R290		LBP					50 Hz		Voltage		(R = Current or Potential Relay, P = PTC)		Cooling capacity CECOMAF & ASHRAE			Dimensional drawing reference		
MODEL	DANFOSS CODE	DISPLACEMENT cm ³	POWER hp	APPLICATION	CPR COOLING	VOLTAGE FREQUENCY	MOTOR	STARTING DEVICE	EXPANSION	REFRIGERATION CAPACITY							WEIGHT Kg	DESIGN
										COP in W/W Evaporating Temperature °C								
										CECOMAF (W)			ASHRAE					
										-30	-25		-10	-23.3				
	W	COP		kcal/h	W	COP												
 NBC25CA (**)	123B8301	2.6	1/12	LBP	S	220-240V 50Hz	RSIR	R	C	57	74	1.00	143	86	100	1.30	5.9	Be
 NBG25CA (**)	123B8302	2.6	1/12	LBP	S	220-240V 50Hz	RSCR	R	C	57	74	1.17	143	86	100	1.52	6.0	Be
 NBC35CA (**)	123B8303	3.5	1/8	LBP	S	220-240V 50Hz	RSIR	R	C	83	108	1.00	209	125	145	1.30	5.9	Be
 NBG35CA (**)	123B8304	3.5	1/10	LBP	S	220-240V 50Hz	RSCR	R	C	83	108	1.20	209	125	145	1.55	6.0	Be
 NBC41CA (**)	123B8305	4.1	1/12	LBP	S	220-240V 50Hz	RSIR	R	C	103	134	1.00	259	155	179	1.30	5.9	Be
 NBG41CA (**)	123B8306	4.1	1/12	LBP	S	220-240V 50Hz	RSCR	R	C	103	134	1.20	259	156	181	1.55	6.0	Be
 NBC45CA (**)	123B8307	4.5	1/8	LBP	S	220-240V 50Hz	RSIR	R	C	115	150	1.00	290	173	200	1.30	5.9	Be
 NBG45CA (**)	123B8308	4.5	1/6	LBP	S	220-240V 50Hz	RSCR	R	C	115	150	1.16	290	173	200	1.50	6.0	Be

 Green Cooling Models
 New Models

R134a



R134a LBP • 50 Hz

MODEL	DANFOSS CODE (†)	DISPLACEMENT cm ³	POWER hp	APPLICATION	CPR COOLING	VOLTAGE FREQUENCY	MOTOR	STARTING	EXPANSION	REFRIGERATION CAPACITY								WEIGHT Kg	DESIGN
										COP in W/W Evaporating Temperature °C									
										CECOMAF (W)				ASHRAE					
										-35	-30	-25		-10	-23.3				
W	COP	kcal/h	W	COP															
L22HL	123B8101	2.2	1/20	LBP	S	220-240V 50Hz	RSIR	P	C	16	24	34	0.63	75	40	46	0.82	3.7	LLb
L30HL	123B8102	3.1	1/12	LBP	S	220-240V 50/60Hz	RSIR	P	C	9	13	19	0.69	42	58	67	0.90	4.2	LLc
B38H	123B8103	3.8	1/12	LBP	S	220-240V 50Hz	RSIR	P	C	30	45	63	0.73	139	74	86	0.95	4.6	Bb
B43H	123B8104	4.3	1/10	LBP	S	220-240V 50/60Hz	RSIR	P	C	34	50	71	0.77	156	83	96	1.00	5.4	Bc
B43HB	123B8105	4.3	1/10	LBP	S	220-240V 50Hz	RSCR	P	C	35	51	72	0.92	158	84	97	1.20	5.0	Bc
B48H	123B8106	4.8	1/8	LBP	S	220-240V 50Hz	RSIR	P	C	38	56	79	0.81	174	93	108	1.05	5.0	Bc

R134a LBP • 60 Hz

MODEL	DANFOSS CODE (†)	DISPLACEMENT cm ³	POWER hp	APPLICATION	CPR COOLING	VOLTAGE FREQUENCY	MOTOR	STARTING	EXPANSION	REFRIGERATION CAPACITY								WEIGHT Kg	DESIGN
										COP in W/W Evaporating Temperature °C									
										CECOMAF (W)				ASHRAE					
										-35	-30	-25		-10	-23.3				
W	COP	kcal/h	W	COP															
L22H5	123B8107	2.2	1/20	LBP	S	110-120V 60Hz	RSIR	P	C	19	28	39	0.56	87	46	53	0.75	3.6	LLb
L30HL	123B8102	3.1	1/12	LBP	S	220-240V 50/60Hz	RSIR	P	C	26	39	55	0.80	123	64	74	1.04	4.2	LLc
L30H5L	123B8108	3.1	1/12	LBP	S	110-120V 60Hz	RSIR	P	C	27	40	57	0.73	127	67	78	0.95	3.85	LLc
B38H	123B8109	3.8	1/12	LBP	S	220-240V 60Hz	RSIR	P	C	34	50	71	0.96	158	83	96	1.10	4.6	Bb
B38H5	123B8110	3.8	1/12	LBP	S	110-115V 60Hz	RSIR	P	C	34	50	71	0.96	158	83	96	1.10	5.0	Bc
B38H5L	123B8111	3.8	1/12	LBP	S	110-120V 60Hz	RSIR	P	C	34	50	71	0.81	158	83	96	1.05	4.6	Bc
B43H	123B8104	4.3	1/10	LBP	S	220-240V 50/60Hz	RSIR	P	C	39	58	81	0.96	181	95	110	1.10	5.4	Bc
B43HB	123B8113	4.3	1/10	LBP	S	220-240V 60Hz	RSCR	P	C	39	58	81	1.00	181	95	110	1.30	5.2	Bc
B43H5L	123B8114	4.3	1/10	LBP	S	110-120V 60Hz	RSIR	P	C	39	58	81	0.81	181	95	110	1.05	5.0	Bc

R134a HBP • 50 Hz

MODEL	DANFOSS CODE (†)	DISPLACEMENT cm ³	POWER hp	APPLICATION	CPR COOLING	VOLTAGE FREQUENCY	MOTOR	STARTING	EXPANSION	REFRIGERATION CAPACITY								WEIGHT Kg	DESIGN
										COP in W/W Evaporating Temperature °C									
										CECOMAF (W)				ASHRAE					
										-15	5		10	7.2					
W	COP	kcal/h	W	COP															
B22G	123B8115	2.2	1/14	HBP	S-F	220-240V 50Hz	RSIR	P	C	60	152	1.64	192	160	185	1.94	4.6	Bb	
B25G	123B8117	2.6	1/14	HBP	S-F	220-240V 50Hz	RSIR	P	C	76	202	1.53	243	208	241	2.08	4.6	Bb	
▲ B25GL (**)	123B8118	2.6	1/14	HBP	S-F	220-240V 50Hz	CSIR	R	C-V	70	190	1.84	228	196	227	2.14	5.5	Be	
B30G	123B8121	3.1	1/10	HBP	S-F	220-240V 50Hz	RSIR	P	C	83	229	1.77	270	234	271	1.77	4.8	Bc	
B30G	123B8120	3.1	1/10	HBP	S-F	220-240V 50Hz	CSIR	R	C-V	83	229	1.77	270	234	271	1.77	4.8	Bc	
▲ B35GL (**)	123B8123	3.5	1/10	HBP	S-F	220-240V 50Hz	CSIR	R	C-V	100	269	1.87	323	278	322	2.18	5.5	Be	
B38G	123B8125	3.8	1/8	HBP	S-F	220-240V 50Hz	CSIR	R	C-V	129	291	1.91	347	298	345	2.23	5.0	Bc	
B43GL	123B8127	4.3	1/6	HBP	S-F	220-240V 50Hz	RSIR	P	C	122	348	1.75	422	360	417	1.77	5.3	Be	

▲ New Models

(**) Model under development. Provisional performance/data.

See design drawing on pages 17

(†) Ordering code for single compressors. For pallet packed compressors, please use 123F instead of 123B

Danfoss Light Commercial Refrigeration Compressors

R134a HBP • 60 Hz

MODEL	DANFOSS CODE (†)	DISPLACEMENT cm ³	POWER hp	APPLICATION	CPR COOLING	VOLTAGE FREQUENCY	MOTOR	STARTING	EXPANSION	REFRIGERATION CAPACITY								WEIGHT Kg	DESIGN
										COP in W/W Evaporating Temperature °C									
										CECOMAF (W)				ASHRAE					
										-15	5		-10	7.2					
											W	COP		kcal/h	W	COP			
B22G5	123B8116	2.2	1/16	HBP	S-F	110-115V 60Hz	RSIR	P	C	72	188	1.83	229	194	225	2.13	4.6	Bb	
B25G5L (**)	123B8119	2.6	1/14	HBP	S-F	110-115V 60Hz	CSIR	R	C-V	88	231	1.93	283	240	278	2.27	5.7	Be	
B30G5	123B8122	3.1	1/12	HBP	S-F	110-115V 60Hz	RSIR	P	C	100	262	1.55	317	270	313	1.80	5.0	Bb	
B35G5	123B8124	3.5	1/10	HBP	S-F	110-115V 60Hz	CSIR	R	C-V	120	304	1.80	371	315	365	2.12	5.0	Bb	
B38G5L (**)	123B8126	3.8	1/8	HBP	S-F	110-115V 60Hz	CSIR	R	C-V	136	353	1.83	424	363	420	2.13	5.7	Be	

(**) Model under development. Provisional performance/data.

See design drawing on pages 17









(†) Ordering code for single compressors. For pallet packed compressors, please use 123F instead of 123B

R290






Danfoss Light Commercial Refrigeration Compressors


R290 LBP • 50 Hz

MODEL	DANFOSS CODE (†)	DISPLACEMENT cm ³	POWER hp	APPLICATION	CPR-COOLING	VOLTAGE FREQUENCY	MOTOR	STARTING	EXPANSION	REFRIGERATION CAPACITY								WEIGHT Kg	DESIGN
										COP in W/W Evaporating Temperature °C									
										CECOMAF (W)				ASHRAE					
										-40	-30	-25		-10	-23.3				
W	COP	kcal/h	W	COP															
 NBC25CA (**)	123B8301	2.6	1/12	LBP	S	220-240V 50Hz	RSIR	P	C	32	57	74	1.00	143	86	100	1.30	5.9	Be
 NBG25CA (**)	123B8302	2.6	1/12	LBP	S	220-240V 50Hz	RSCR	P	C	32	57	74	1.17	143	86	100	1.52	6.0	Be
 NBC35CA (**)	123B8303	3.5	1/8	LBP	S	220-240V 50Hz	RSIR	P	C	47	83	108	1.00	209	125	145	1.30	5.9	Be
 NBG35CA (**)	123B8304	3.5	1/10	LBP	S	220-240V 50Hz	RSCR	P	C	47	83	108	1.20	209	125	145	1.55	6.0	Be
 NBC41CA (**)	123B8305	4.1	1/12	LBP	S	220-240V 50Hz	RSIR	P	C	58	103	134	1.00	259	155	179	1.30	5.9	Be
 NBG41CA (**)	123B8306	4.1	1/12	LBP	S	220-240V 50Hz	RSCR	P	C	58	103	134	1.20	259	156	181	1.55	6.0	Be
 NBC45CA (**)	123B8307	4.5	1/8	LBP	S	220-240V 50Hz	RSIR	P	C	65	115	150	1.00	290	173	200	1.30	5.9	Be
 NBG45CA (**)	123B8308	4.5	1/6	LBP	S	220-240V 50Hz	RSCR	P	C	65	115	150	1.16	290	173	200	1.50	6.0	Be

R290 HMBP • 50 Hz

MODEL	DANFOSS CODE (†)	DISPLACEMENT cm ³	POWER hp	APPLICATION	CPR-COOLING	VOLTAGE FREQUENCY	MOTOR	STARTING	EXPANSION	REFRIGERATION CAPACITY								WEIGHT Kg	DESIGN
										COP in W/W Evaporating Temperature °C									
										CECOMAF (W)				ASHRAE					
										-25	-15	5		-10	7.2				
W	COP	kcal/h	W	COP															
 NBC22RA (**)	123B8309	2.2	1/12	HMBP	F	220-240V 50Hz	CSIR	R	C-V	64	101	224	2.24	265	230	266	2.30	6.0	Be
 NBC30RA (**)	123B8310	3.1	1/10	HMBP	F	220-240V 50Hz	CSIR	R	C-V	92	145	322	2.34	381	330	382	2.40	6.0	Be

 Green Cooling Models

 New Models

(**) Model under development. Provisional performance/data.

See design drawing on page 17

(†) Ordering code for single compressors. For pallet packed compressors, please use 123F instead of 123B

	Conditions R134a			
	CECOMAF		ASHRAE	
	LBP	HMBP/HBP	LBP	HMBP/HBP
Evaporating temperature °C	-25	5	-23.3	7.2
Condensing temperature °C	55	55	55	55
Liquid temperature °C	55	55	32	46
Suction temperature °C	32	32	32	35
Ambient temperature °C	32	32	32	35

	Conditions R290			
	CECOMAF		ASHRAE	
	LBP	HMBP/HBP	LBP	HMBP/HBP
Evaporating temperature °C	-25	5	-23.3	7.2
Condensing temperature °C	55	55	55	55
Liquid temperature °C	55	55	32	46
Suction temperature °C	32	32	32	35
Ambient temperature °C	32	32	32	35

R600a



Danfoss Light Commercial Refrigeration Compressors

R600a LBP • 50 Hz

MODEL	DANFOSS CODE (α)	DISPLACEMENT cm ³	POWER hp	APPLICATION	CPR COOLING	VOLTAGE FREQUENCY	MOTOR	STARTING	EXPANSION	REFRIGERATION CAPACITY								WEIGHT Kg	DESIGN
										COP in W/W Evaporating Temperature °C									
										CECOMAF (W)				ASHRAE					
										35	-30	-25		-10	-23.3				
W	COP	kcal/h	W	COP															
L22CL	123B8401	2.2	1/18	LBP	S	220-240V 50Hz	RSIR	P	C	12	31	23	0.67	48	26	30	0.85	3.6	LLb
L30CL	123B8402	3.1	1/16	LBP	S	220-240V 50/60Hz	RSIR	P	C	19	49	36	0.77	75	41	47	0.98	3.8	LLc
B35C	123B8403	3.5	1/15	LBP	S	220-240V 50Hz	RSIR	P	C	22	55	41	0.82	86	47	54	1.05	4.5	Bb
B35C	123B8404	3.5	1/15	LBP	S	220-240V 50Hz	RSCR	P	C	22	57	42	1.06	88	48	56	1.35	5.1	Bc
B43CB	123B8405	4.3	1/12	LBP	S	220-240V 50Hz	RSIR	P	C	27	69	51	0.90	107	59	68	1.15	4.6	Bc
B43CB	123B8406	4.3	1/12	LBP	S	220-240V 50Hz	RSCR	P	C	27	69	51	1.02	107	59	68	1.30	4.6	Bc
B43C0	123B8407	4.3	1/12	LBP	S	100V 50/60Hz	RSIR	P	C	27	69	51	0.93	107	59	68	1.18	4.6	Bb
B52CL	123B8408	5.2	1/10	LBP	S	220-240V 50Hz	RSIR	P	C	31	78	58	0.90	121	67	78	1.15	4.6	Bc
B52CL	123B8409	5.2	1/10	LBP	S	220-240V 50Hz	RSCR	P	C	31	78	58	1.10	121	67	78	1.40	5.2	Bd
B52COL	123B8410	5.2	1/10	LBP	S	100V 50/60Hz	RSIR	P	C	31	78	58	0.86	121	67	78	1.10	4.8	Bc
B60CBL	123B8411	6.0	1/8	LBP	S	220-240V 50Hz	RSIR	P	C	38	95	71	1.02	149	82	95	1.30	5.0	Bc
B60CBL	123B8412	6.0	1/8	LBP	S	220-240V 50Hz	RSCR	P	C	38	96	71	1.10	149	82	95	1.40	5.0	Bc
B65CL	123B8413	6.5	1/8	LBP	S	220-240V 50Hz	RSIR	P	C	42	105	78	0.86	163	90	104	1.10	5.0	Bc
B65CL	123B8414	6.5	1/8	LBP	S	220-240V 50Hz	RSCR	P	C	42	105	78	1.10	163	90	104	1.40	5.2	Be

R600a LBP • 60 Hz

MODEL	DANFOSS CODE (α)	DISPLACEMENT cm ³	POWER hp	APPLICATION	CPR COOLING	VOLTAGE FREQUENCY	MOTOR	STARTING	EXPANSION	REFRIGERATION CAPACITY								WEIGHT Kg	DESIGN
										COP in W/W Evaporating Temperature °C									
										CECOMAF (W)				ASHRAE					
										35	-30	-25		-10	-23.3				
W	COP	kcal/h	W	COP															
L22C5L	123B8415	2.2	1/16	LBP	S	110-120V 60Hz	RSIR	P	C	16	22	30	0.86	63	34	39	1.10	3.6	LLb
L30CL	123B8402	3.1	1/16	LBP	S	220-240V 50/60Hz	RSIR	P	C	22	30	41	0.86	86	47	54	1.10	3.8	LLc
B35C	123B8416	3.5	1/12	LBP	S	220V 60Hz	RSIR	P	C	24	33	45	0.93	94	52	60	1.18	4.6	Bc
B35C5B	123B8417	3.5	1/12	LBP	S	110-115V 60Hz	RSIR	P	C	26	36	49	0.94	403	56	65	1.20	4.6	Bb
B35C5BL	123B8418	3.5	1/12	LBP	S	110-120V 60Hz	RSCR	P	C	26	36	49	1.10	103	56	65	1.40	4.6	Bc
B43CB	123B8419	4.3	1/10	LBP	S	220-240V 60Hz	RSIR	P	C	28	38	52	0.98	109	60	69	1.25	4.6	Bc
B43CB	123B8420	4.3	1/10	LBP	S	220-240V 60Hz	RSCR	P	C	31	43	58	1.06	121	67	78	1.35	4.6	Bc
B43C0	123B8407	4.3	1/12	LBP	S	100V 50/60Hz	RSIR	P	C	31	43	58	0.93	121	67	78	1.18	4.6	Bb
B43C5B	123B8421	4.3	1/10	LBP	S	110-115V 60Hz	RSIR	P	C	31	43	58	1.02	121	67	78	1.30	4.6	Bb
B52C5BL	123B8422	5.2	1/8	LBP	S	110-120V 60Hz	RSCR	P	C	38	53	71	1.18	149	82	95	1.50	5.2	Be
B52COL	123B8410	5.2	1/10	LBP	S	100V 50/60Hz	RSIR	P	C	38	53	71	0.86	149	82	95	1.10	4.8	Bc
B60CBL	123B8423	6.0	1/8	LBP	S	220-240V 60Hz	RSIR	P	C	44	61	83	1.02	174	95	110	1.30	4.6	Bc
B60C5BL	123B8424	6.0	1/8	LBP	S	110-120V 60Hz	RSCR	P	C	44	61	82	1.10	172	94	109	1.40	5.2	Bd

Green Cooling Models

See design drawing on page 17

(α) Ordering code for single compressors. For pallet packed compressors, please use 123F instead of 123B

	Conditions R600a			
	CECOMAF		ASHRAE	
	LBP	HMBP/HBP	LBP	HMBP/HBP

Evaporating temperature °C	-25	5	-23.3	7.2
Condensing temperature °C	55	55	55	55
Liquid temperature °C	55	55	32	46
Suction temperature °C	32	32	32	35
Ambient temperature °C	32	32	32	35

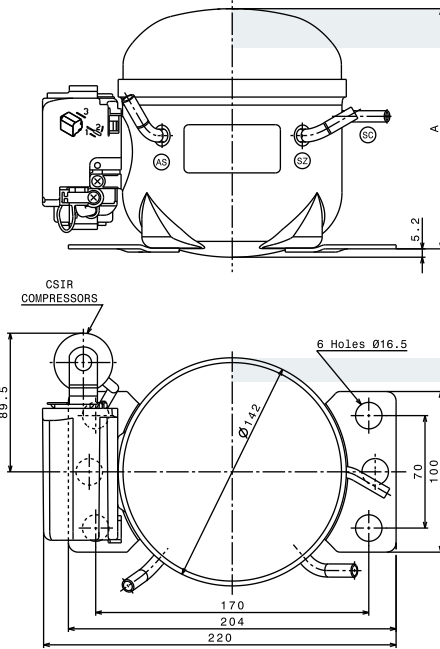
Technical Information



Dimensions and comparison

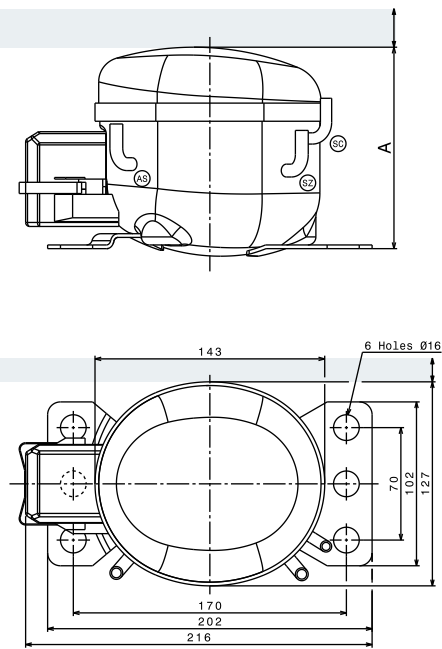
Dimensional drawings

D range



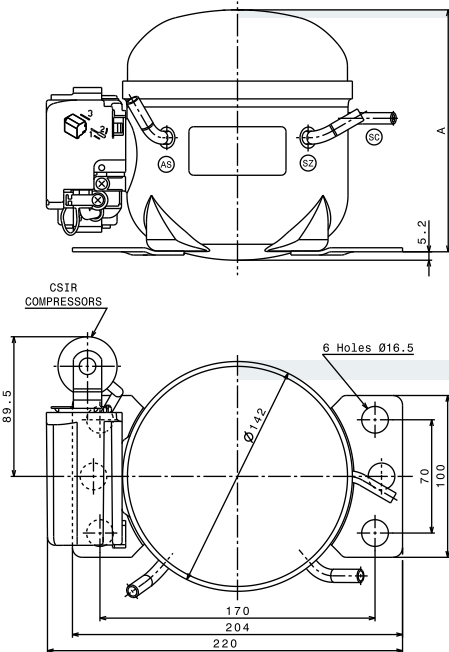
	Designation	Internal diam.		A (mm)
Db	Suction/Service	6.5	Db	149.5
Dc	Discharge	4.9	Dc	157.5
Dd	Service/Suction	6.5	Dd	162.5

Small L range



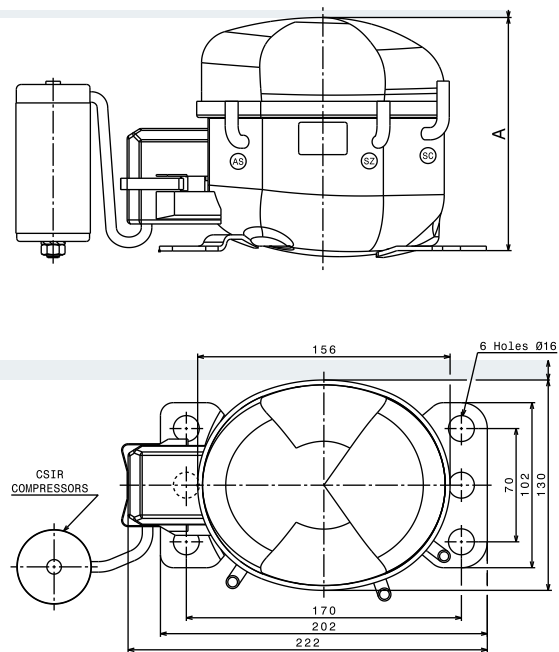
	Designation	Internal diam.		A (mm)
AS	Suction	6.2	Lb	125.5
SC	Discharge	4.9	Lc	129
SZ	Service	6.2	Ld	138
			Le	141

D range



	Designation	Internal diam.		A (mm)
Db	Suction/Service	6.5	Db	149.5
Dc	Discharge	4.9	Dc	157.5
Dd	Service/Suction	6.5	Dd	162.5

Small L range

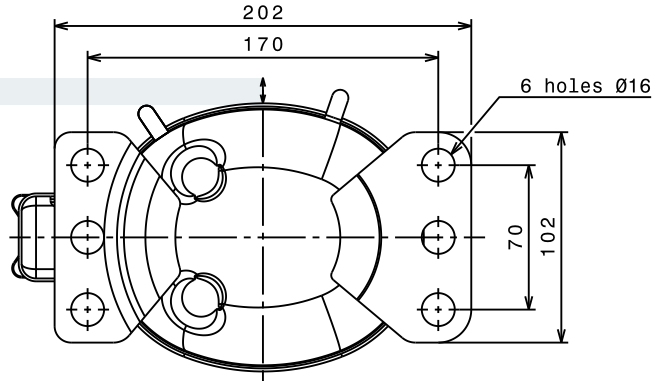
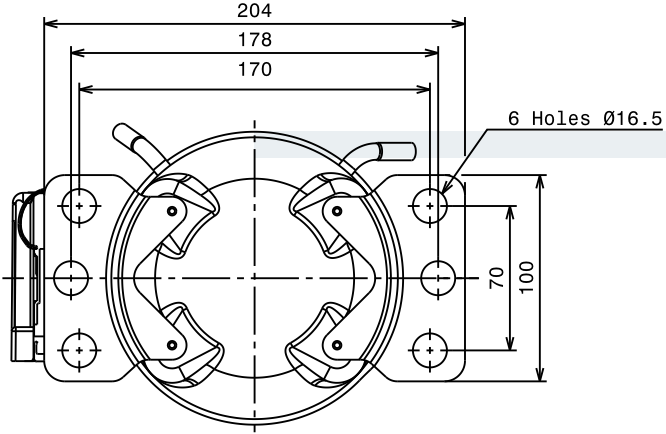


	Designation	Internal diam.		A (mm)
AS	Suction	6.2	Bb	141
SC	Discharge	4.9	Bc	145
SZ	Service	6.2	Bd	153
			Be	159

Mounting feet

D range

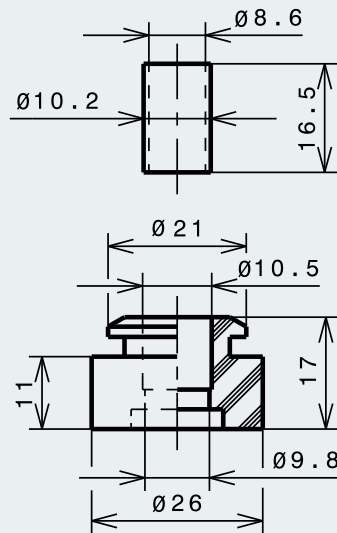
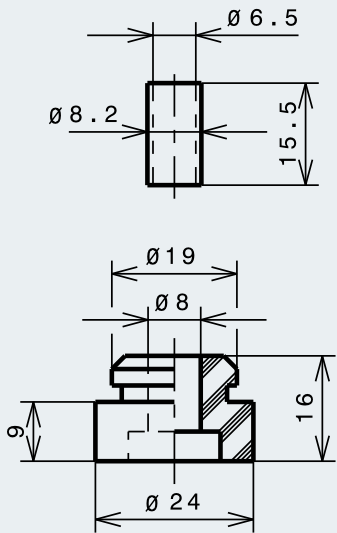
Small L range



Silent Blocks

D Range

Small L / B Ranges



Cross Reference

Small L and B Ranges vs D range Cross Reference

R134a LBP

Small L Range					
Model	Displacement (cc)	Cooling Capacity W	COP (W/W)	Motor	Voltage Frequency
L22HL	2.2	47	0.80	RSIR	220-240V 50Hz
L22H5	2.2	53	0.75	RSIR	110-120V 60Hz
L30HL	3.1	67	0.90	RSIR	220-240V 50Hz
L30HL	3.1	74	1.04	RSIR	220-240V 60Hz

B Range					
Model	Displacement (cc)	Cooling Capacity W	COP (W/W)	Motor	Voltage Frequency
B38H	3.8	86	0.95	RSIR	220-240V 50Hz
B38H	3.8	96	1.10	RSIR	220-240V 60Hz
B38H5	3.8	96	1.10	RSIR	110-115V 60Hz
B38H5L	3.8	96	1.05	RSIR	115V 60Hz
B43H	4.3	96	1.00	RSIR	220-240V 50Hz
B43H	4.3	110	1.10	RSIR	220-240V 60Hz

R134a HBP

B Range					
Model	Displacement (cc)	Cooling Capacity W	COP (W/W)	Motor	Voltage Frequency
B22G5	2.2	225	2.13	RSIR	110-115V 60Hz
B25GL (*)	2.6	219	1.80	CSIR	220-240V 50Hz
B25G5	2.6	264	1.80	RSIR	110-115V 60Hz
B25G5L (*)	2.6	278	2.28	CSIR	110-115V 60Hz
B30G	3.1	271	2.06	RSIR	220-240V 50Hz
B30G	3.1	271	2.06	CSIR	220-240V 50Hz
B30G5	3.1	314	1.80	RSIR	110-115V 60Hz
B35G5	3.5	365	2.12	CSIR	110-115V 60Hz
B35GL (*)	3.5	313	2.15	CSIR	220-240V 50Hz
B35G5	3.5	359	2.00	CSIR	110-115V 60Hz
B38G	3.8	345	2.23	CSIR	220-240V 50Hz
B38G5L (*)	3.8	420	2.13	CSIR	110-115V 60Hz

R600a LBP

B Range					
Model	Displacement (cc)	Cooling Capacity W	COP (W/W)	Motor	Voltage Frequency
B35C	3.5	56	1.25	RSIR	220-240V 50Hz

R290 HMBP

B Range					
Model	Displacement (cc)	Cooling Capacity W	COP (W/W)	Motor	Voltage Frequency
NBC30RA (*)	3.1	382	2.40	CSIR	200-240V 50Hz

(*) Models under development

D Range					
Model	Displacement (cc)	Cooling Capacity W	COP (W/W)	Motor	Voltage Frequency
GD24AA	2.44	47	0.68	RSIR	220-240V 50Hz
GD24ADa	2.44	56	0.70	RSIR	115V 60Hz
GD30AA	3.08	72	0.96	RSIR	220-240V 50Hz
GD30AG	3.08	79	0.88	RSIR	220-230V 60Hz

D Range					
Model	Displacement (cc)	Cooling Capacity W	COP (W/W)	Motor	Voltage Frequency
GD36AA	3.62	83	0.99	RSIR	220-240V 50Hz
GD36AFa	3.62	93	0.86	RSIR	220-230V 60Hz
GD36AD	3.62	93	0.85	RSIR	115V 60Hz
GD36AD	3.62	93	0.85	RSIR	115V 60Hz
GD40AA	4.06	95	1.00	RSIR	220-240V 50Hz
GD40AF	4.06	105	0.91	RSIR	220-230V 60Hz

D Range					
Model	Displacement (cc)	Cooling Capacity W	COP (W/W)	Motor	Voltage Frequency
GD24MEa	2.44	243	1.63	RSIR	115V 60Hz
GD24MBc	2.44	208	1.67	CSIR	220-240V 50Hz
GD24MEa	2.44	243	1.63	RSIR	115V 60Hz
GD24MEc	2.44	243	1.63	CSIR	115V 60Hz
GD30MBa	3.08	278	1.74	RSIR	220-240V 50Hz
GD30MBb	3.08	278	1.74	RSIR	220-240V 50Hz
GD30MBc	3.08	278	1.74	CSIR	220-240V 50Hz
GD30MBd	3.08	325	1.74	CSIR	220-240V 50Hz
GD30MEa	3.08	325	1.63	RSIR	115V 60Hz
GD30MEb	3.08	325	1.63	RSIR	115V 60Hz
GD30ME c	3.08	325	1.63	CSIR	115V 60Hz
GD30ME d	3.08	325	1.63	CSIR	115V 60Hz
GD36MBc	3.62	313	1.74	CSIR	220-240V 50Hz
GD36MBd	3.62	313	1.74	CSIR	220-240V 50Hz
GD36ME c	3.62	366	1.67	CSIR	115V 60Hz
GD36ME d	3.62	366	1.67	CSIR	115V 60Hz
GD40MBc	4.06	359	1.80	CSIR	220-240V 50Hz
GD40MBd	4.06	359	1.80	CSIR	220-240V 50Hz
GD40MEc	3.62	420	1.69	CSIR	115V 60Hz
GD40MEd	3.62	420	1.69	CSIR	115V 60Hz

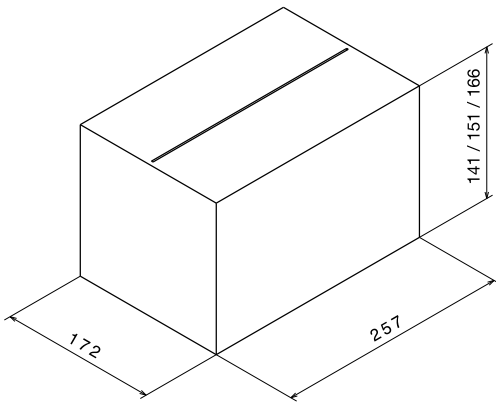
D Range					
Model	Displacement (cc)	Cooling Capacity W	COP (W/W)	Motor	Voltage Frequency
HD40AA	4.06	58	0.86	RSIR	220-240V 50Hz

D Range					
Model	Displacement (cc)	Cooling Capacity W	COP (W/W)	Motor	Voltage Frequency
ND30MB	3.1	380	2.11	CSIR	220-240V 50Hz

Packaging and logistics

Single Boxes dimensions

Small L & B Ranges



Single Pack

Range	Box dimensions (mm)			Pallet dimensions (mm)	
	Length	Width	Height	Length	Width
Small L	257	172	141/151	1010	1010
B	257	172	151/166	1010	1010

Industrial Pack

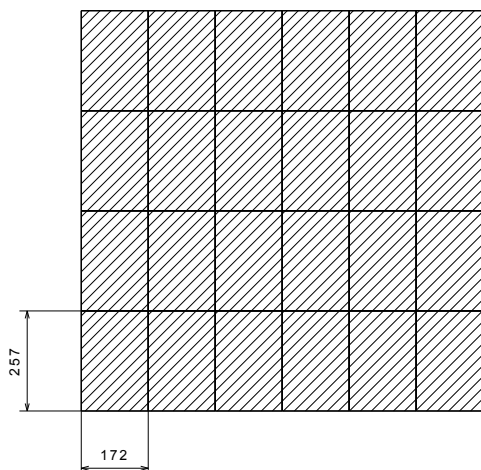
Range	Tray dimensions (mm)		Pallet dimensions (mm)		
	Length	Width	Length	Width	Height
Small L	1110	815	1135	830	1105
B	1110	815	1135	830	970

Quantity per pallet Tray & Single box

Range	Industrial Pack			Single Pack		
	Qty/Level	N° Levels	Qty/Pallet	Qty/Level	N° Levels	Qty/Pallet
Small L	25	6	150	24	5	120
B	25	5	125	24	5	120

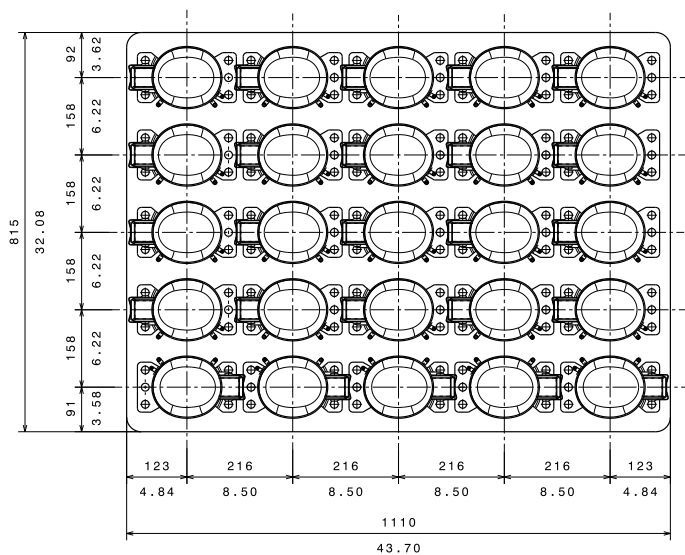
Pallet Product Layout

Small L & B Ranges Single Pack



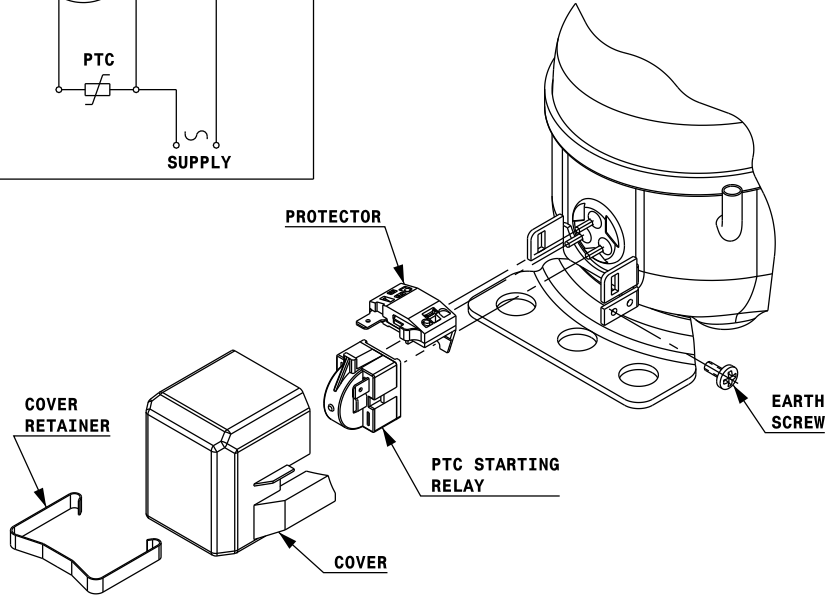
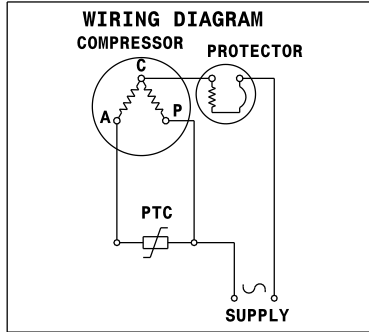
Tray per Pallet

Small L & B Ranges Industrial Pack

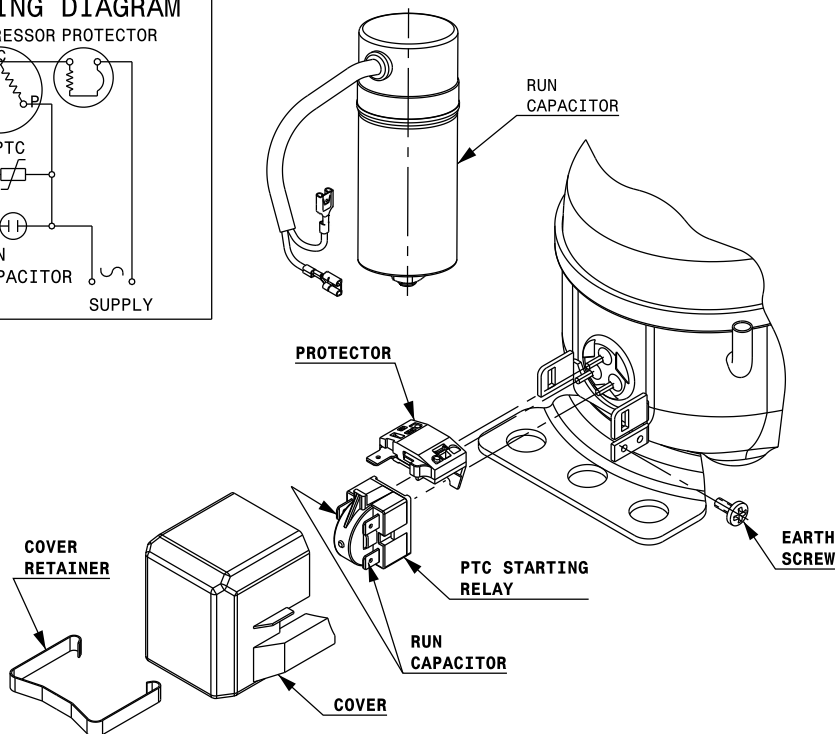
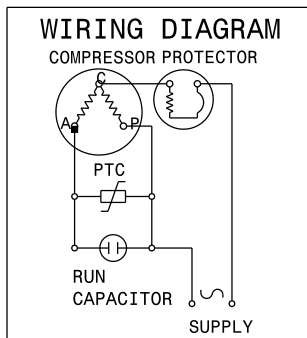


Wiring Diagrams and Electrical Assembly

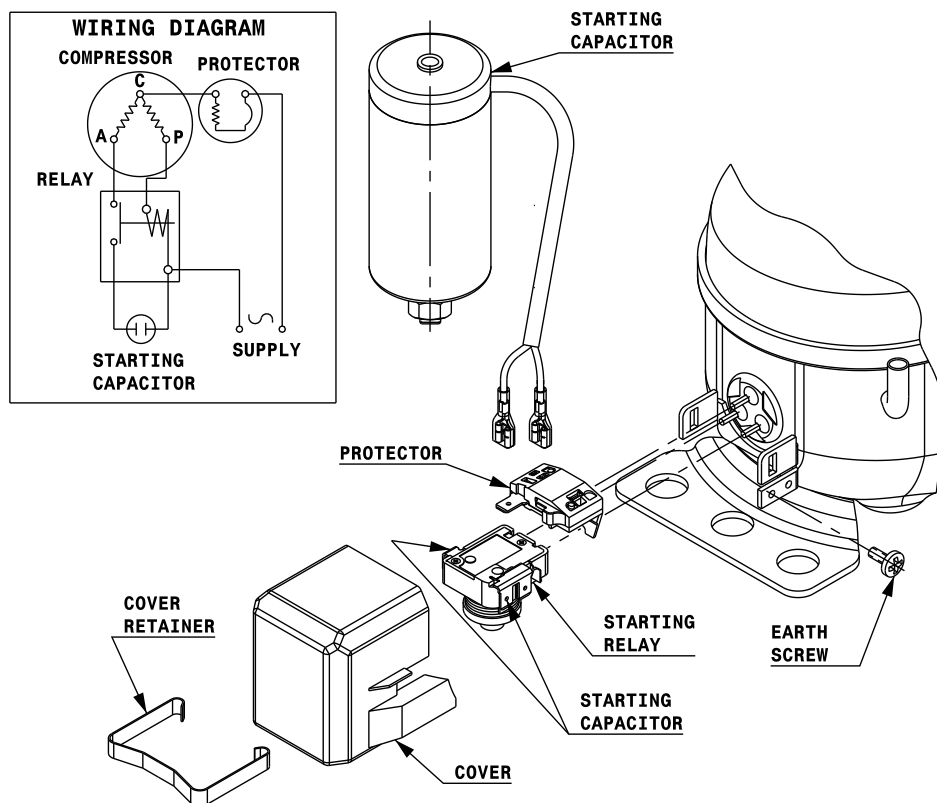
RSIR CONNECTION (PTC) Small L and B



RSCR CONNECTION (PTC) Small L and B



CSIR CONNECTION Small L and B



Danfoss Commercial Compressors

is a worldwide manufacturer of compressors and condensing units for refrigeration and HVAC applications. With a wide range of high quality and innovative products we help your company to find the best possible energy efficient solution that respects the environment and reduces total life cycle costs.

We have 40 years of experience within the development of hermetic compressors which has brought us amongst the global leaders in our business, and positioned us as distinct variable speed technology specialists. Today we operate from engineering and manufacturing facilities spanning across three continents.



Danfoss Scrolls



Danfoss Inverter Scrolls



Danfoss Turbocor Compressors



Danfoss Light Commercial Refrigeration Compressors



Danfoss Maneurop Reciprocating Compressors



Danfoss Optyma Condensing Units

Our products can be found in a variety of applications such as rooftops, chillers, residential air conditioners, heatpumps, coldrooms, supermarkets, milk tank cooling and industrial cooling processes.

<http://cc.danfoss.com>

Danfoss Commercial Compressors, BP 331, 01603 Trévoux Cedex, France | +334 74 00 28 29



Danfoss can accept no responsibility for possible errors in catalogues, brochures and other printed material. Danfoss reserves the right to alter its products without notice. This also applies to products already on order provided that such alterations can be made without subsequential changes being necessary in specifications already agreed. All trademarks in this material are property of the respective companies. Danfoss and the Danfoss logotype are trademarks of Danfoss A/S. All rights reserved.