

ENGINEERING  
TOMORROW

*Danfoss*

60Hz Catalogue

# Danfoss **Light Commercial Refrigeration** Compressors B, U, L, P, X, S Ranges - **60Hz**

R134a | R404A | R507 | R290 | R22





**Contents**

**General Information ..... 4**

- Compressor Ranges ..... 4
- The Green Cooling Ranges ..... 7
- Labels and Approvals ..... 8
- Compressor Nomenclature U, L, P, X and S Ranges ..... 9
- Compressor Nomenclature Small L & B Ranges ..... 10
- Compressor Nomenclature B Ranges - R290 ..... 11
- Voltage..... 12
- Applications..... 12

**Compressors Catalogue ..... 13**

- Operating Envelope ..... 13
- Types of Electrical Motors ..... 16
- How to read this Catalogue..... 17
- R134a..... 18
- R404A/R507 ..... 18
- R22..... 18
- R290 ..... 18

**Technical Information..... 25**

- Compressor Dimensional Drawings ..... 26
- Packaging ..... 28
- Fixings ..... 29
- Wiring Diagrams and Electrical Assembly ..... 31

**Applications..... 37**

**Spare parts list..... 42**

Small  
**L**  
range



**Features:**

More compact, more efficient

**Range:**

2.2 – 3.1cc

**Refrigerants:**

R134a

**Applications:**

Small refrigerators and freezers

**B**  
range



**Features:**

More displacement, more efficient, compactness

**Range:**

2.2 – 6.5cc

**Refrigerants:**

R134a

**Applications:**

Water coolers, can / bottle coolers, small refrigerator and freezers

## U range

**Features:**  
27% more efficiency than L range, more compact: 4.5 inch shorter,  
6lbs lighter, -10dB(A) quieter

**Range:**  
4.50 to 8.1 cc

**Refrigerants:**  
R134a, R290, R1234yf

**Applications:**  
Ice Cream Freezers, Bottle Coolers, Chest coolers , Freezers, Refrigerated  
Display Counters, Display Cabinets



## L range



**Features:**  
Highly efficient range with propane (R290)

**Range:**  
4.56 to 10.70 cc

**Refrigerants:**  
R134a, R404A, R290, R507, R1234yf, R22

**Applications:**  
Household Refrigerators, Bottle Coolers and Freezers, Can Coolers, Chest  
Freezers, Vending Machines, Ice Cream Freezers, Beer Dispensers, Ice Makers,  
Soft Drink Dispensers, Heat Pump Systems

## P range

**Features:**

High efficiency versions  
Highly efficient range with propane (R290)

**Range:**

12.00 - 18.00 cc

**Refrigerants:**

R134a, R404A, R290, R507, R1234yf, R22

**Applications:**

Household Refrigerators, Bottle Coolers and Freezers, Can Coolers, Chest Freezers, Vending Machines, Ice Cream Freezers, Beer Dispensers, Ice Makers, Soft Drink Dispensers



## X range



**Features:**

High reliability & efficiency. Optimized design to work under heavy duty operating conditions

**Range:**

16.00 to 23.00 cc

**Refrigerants:**

R134a, R404A, R290, R407C, R507, R1234yf, R22

**Applications:**

Large Freezers (vertical and chest), Blast Freezers, Ice Makers, Vending Machines, Display Cabinets, Display Islands, Soft Drink Dispensers

## S range

**Features:**

Top capacity range, optimized design to reduce vibration

**Range:**

18.00 to 34.42 cc

**Refrigerants:**

R134a, R404A, R407C, R507, R1234yf, R22

**Applications:**

Large Freezers (vertical and chest), Soft Drink Dispensers, Blast Freezers, Air Dryers, Ice Makers, Air Conditioning, Vending Machines, Heat Pumps, Display Cabinets and Islands



# The Green Cooling Ranges

The most extended range of compressors for sustainable refrigeration in terms of energy consumption reduction.

The advanced design of the Green Cooling Ranges allows efficiency improvement providing energy consumption reductions up to 45% compared to standard versions; consequently, lower CO<sub>2</sub> emissions to the atmosphere.

The Green Cooling Ranges comprise **High Efficiency, Natural Refrigerants and Variable Speed Compressors.**

The Green Cooling range improves the compressor COP between **20%** and **30%** in comparison with standard ranges.



## GREEN COOLING

The major environmental benefits are obtained combining the use of the R290 with the design criteria of high efficiency ranges.

These compressor models, in their more advanced version, can save up to 50% of energy when compared with standard efficiency series of R404A thanks to its high-efficiency mechanics, its advanced motor winding design and the optional running capacitor concept.

### High Efficiency Ranges

The High Efficiency models reduce energy consumption of commercial refrigeration appliances between 10% and 30% with respect to standard ranges. Most High-Efficiency models are equipped with electric motors, designed with the "optional run capacitor" concept, that is, the compressor can work with or without a running capacitor (CSR/CSIR), offering different levels of efficiency with the same compressor. The new U range offers the highest level of efficiency with propane in the market today.

### Natural Refrigerants

Natural refrigerants like propane (R290) and isobutane (R600a) are being gradually introduced in commercial appliances, not only due to the replacement of H-CFC's and HFC's refrigerants which have high impact on environment, but also because it is more efficient in terms of performance and applications' energy consumption.

Refrigerant propane has no direct contribution to global warming and its energy consumption is between 10% to 15% lower than a similar application with R404A. The R290 compressors offer a higher cooling capacity and COP allowing energy-saving consumption with smaller displacement.



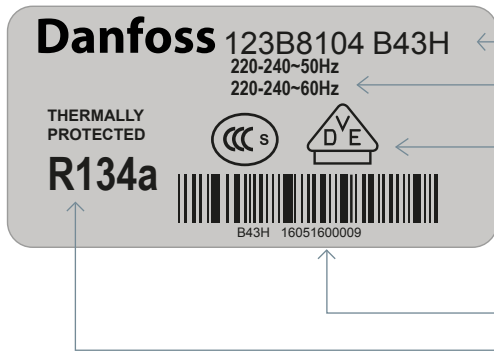
# Labels and Approvals

For U, L, P, X, S



- Compressor code and model
- Voltage
- Approvals
- Production Date
- Bar Code
- Refrigerant

For Small L & B



- Compressor code and model
- Voltage
- Approvals
- Bar Code
- Refrigerant

Approvals



Directive compliance declarations



Flammable gases





# Compressor Nomenclature U, L, P, X and S Ranges

model  
**G L Y 6 0 R A a**

Indicates refrigerant. Not appearing in case of ranges for R22

**G** = R134a                      **N** = R290  
**M** = R404A/R507

Indicates compressor range (overall design).

**L** = 4 - 11cm<sup>3</sup>                      **X** = 16 - 23cm<sup>3</sup>  
**U** = 4.5 - 9cm<sup>3</sup>                      **P** = 12 - 18cm<sup>3</sup>                      **S** = 18 - 34cm<sup>3</sup>

Indicates energy efficiency level. Not appearing in case of Standard efficiency.

**M** = Medium  
**Y** = High Efficiency - Run Capacitor Optional RSIR/RSCR or CSIR/CSR  
**T** = Top Efficiency - Run Capacitor RSCR or CSR

Indicates approximate compressor displacement under the following rule:

**U / L** ranges                      10 times the approx. displacement in cm<sup>3</sup>/rev (GL90TG -> approx 9 cm<sup>3</sup>/rev)  
**P / X / S** ranges                      The approx. displacement in cm<sup>3</sup>/rev (MX21TG -> approx 21 cm<sup>3</sup>/rev)

Indicates the starting torque, application type and compressor cooling:

<b>A</b> = LBP - LST - S	<b>L</b> = LBP - HST - Fan (Current Relay)	<b>R</b> = HMBP - HST - FAN
<b>C</b> = LBP - LST - FAN	<b>M</b> = HMBP - LST/HST - S/FAN	(CSR versions with Current Relay)
<b>D</b> = LBP - HST - S	<b>N</b> = LMBP - LST/HST - S/FAN	<b>T</b> = HMBP - HST - FAN
<b>F</b> = LBP - HST - FAN	<b>P</b> = HMBP - LST - FAN	(CSR versions with Potential Relay)

Indicates the rated voltage:

<b>A</b> = 220-240V 50Hz	<b>G</b> = 200-220V 50Hz / 220-230V 60Hz
<b>B</b> = 220-240V 50Hz (standard efficiency)	<b>J</b> = 100V 50/60Hz
<b>C</b> = 100V 50/60Hz (standard efficiency)	<b>N</b> = 200-220V 50Hz or 200-240V 50Hz / 220-230V 60Hz
<b>D</b> = 115V 60Hz	<b>R</b> = 115-127V 60Hz
<b>E</b> = 115V 60Hz (standard efficiency)	<b>3</b> = 3 phase 400-440V 50/60Hz
<b>F</b> = 208-230V 60Hz	

Indicates a variant of the model that only affects the configuration of electrical components. Its meaning may vary from model to model. It does not appear on the compressor label but it is used for ordering, invoicing and HCB internal processes.

Examples:

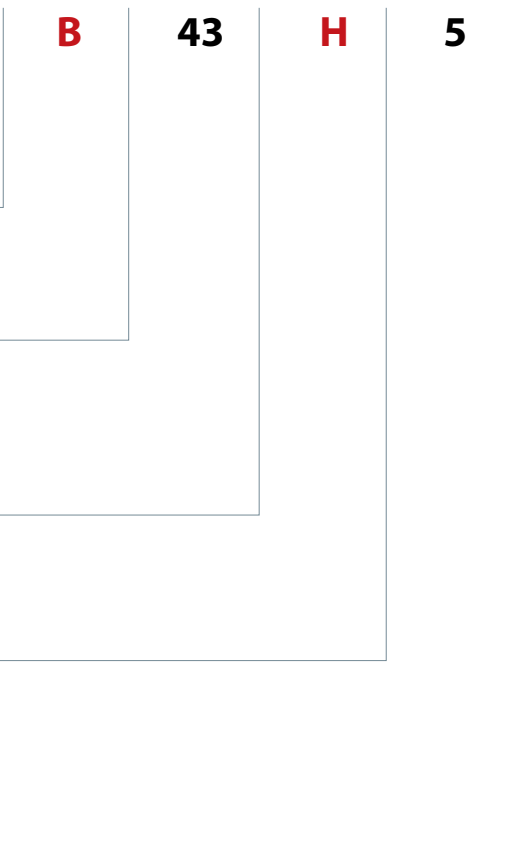
1. In high-efficiency compressors ("Y" series, i.e.: GPY12LA or MLY80RD), the letters "a" or "b" may indicate the type of electrical connection corresponding to the electrical accessories supplied with the compressor.

**a** = no use of running capacitor  
**b** = use of running capacitor

2. In X range it indicates the electrical accessories corresponding to the following situations:

**a** = Current relay + NTC  
(no external connecting box)

# Compressor Nomenclature Small L & B Ranges



**Range:**

L --> Small L range

B --> B range

**Displacement x10:**

22 - 2.2cc

25 - 2.5cc

30 - 30cc

**Refrigerant & application:**

H = R134a LBP

G = R134a HBP

**Voltage & Frequency:**

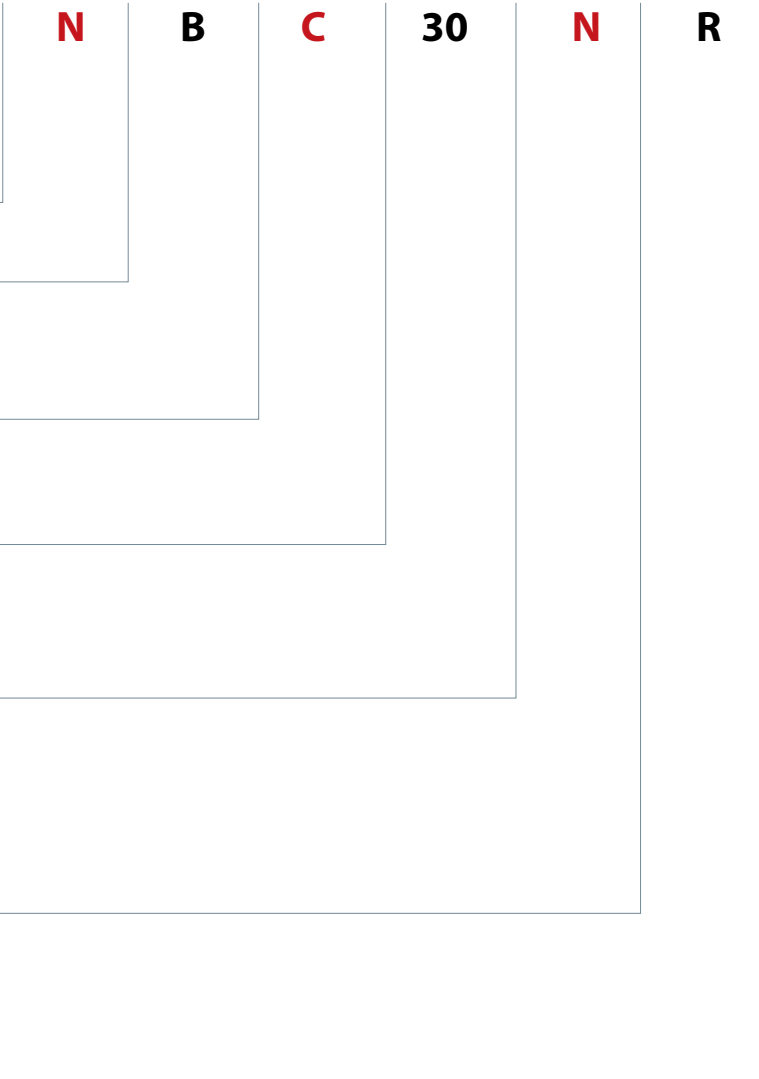
Blank = 220-240V 50Hz and 220-240V 60 Hz

0 = 100V 50/60Hz

5 = 115V 60Hz

7 = 127V 60Hz

# Compressor Nomenclature B Ranges - R290



R290 Models

Range:

L --> Small L range

B --> B range

C --> Without Running Capacitor

G --> With Running Capacitor

Displacement x10:

22 - 2.2cc

25 - 2.5cc

30 - 3.0cc

Refrigerant & application:

For R290 (Propane) Models:

C = LBP - LST - Static

N = LMBP - HST - Static / Fan

R = HMBP - HST - Fan

Voltage & Frequency:

A = 220-240V 50Hz

R = 115-127V 60Hz

# Voltage

The standards consider the voltage variation of the network to be within +/- 6% of its rated value, nevertheless the motors' design is able to work within -15% of the lowest rating and +10% of the highest rating.

Compressor Voltage Versions		
Voltage version	Compressor rating	Voltage operative range
<b>A or B</b>	220-240 V 50 Hz	187-264 V 50 Hz
<b>C or J</b>	100 V 50/60 Hz	85-110 V 50/60 Hz
<b>D or E</b>	115 V 60 Hz	98-127 V 60 Hz
<b>G or F</b> <b>L or N</b>	200- 220/220-230 V 50/60 Hz	170-242/187-253 V 50/60 Hz
<b>M or R</b>	115-127V 60Hz	98-140V 60Hz
<b>T</b>	200-220V 50Hz	187-242V 50Hz
<b>U</b>	208-230V 60Hz	177-253V 60Hz
<b>3</b>	400/440 V 50/60 Hz 3ph	340-440/374-484 V 50/60 Hz

# Applications

Based on the characteristics of the system for which the compressor is intended, compressors are classified in different groups of application.

### Low Back Pressure (LBP) Compressors.

Evaporating temperature range: -31°F to +14°F [-35°C to -10°C] (down to -40°F [-40°C] for refrigerant R404A and R290). Evaporating temperature range for Small L and B range: -31°F [-40°C] to +5°F [-15°C]  
Rating condition: -10°F [-23.3°C] (ASHRAE).

### Low-Medium Back Pressure (LMBP) Compressors.

Evaporating temperature range: -31°F to +23°F [-35°C to 0°C]  
Rating condition: -10°F [-23.3°C] (ASHRAE).

### Medium Back Pressure (MBP) Compressors.

Evaporating temperature range: -10°F to 32°F [-25°C to 0°C]  
Rating condition: +20°F [-6.7°C]

### High Medium Back Pressure (HMBP) Compressors.

Evaporating temperature range: -13°F to +50°F [-25°C to +10°C].  
Rating condition: +45°F [+7.2°C] (ASHRAE).

### High Back Pressure (HBP) Compressors.

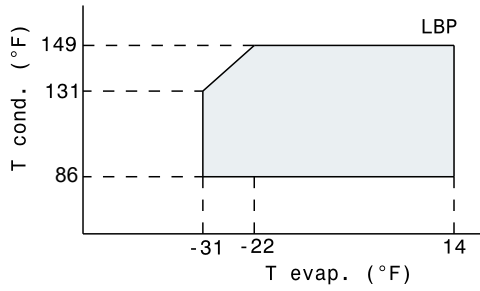
Evaporating temperature range: +5°F to +50°F [-15°C to +10°C].  
Rating condition: +45°F [+7.2°C] (ASHRAE).

# Operating Envelope

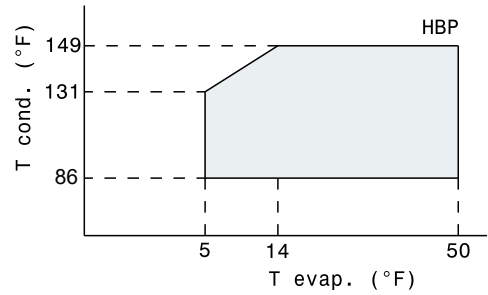
In order to grant the compressor reliability it is recommended that the point representing the operating conditions (suction and discharge pressures) falls within the shadowed area of the corresponding graph.

For Small L and B ranges:

**R134a LBP**

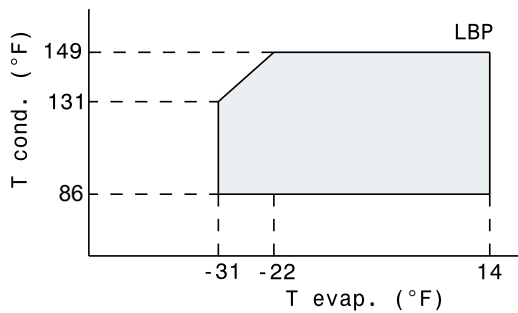


**R134a HBP**

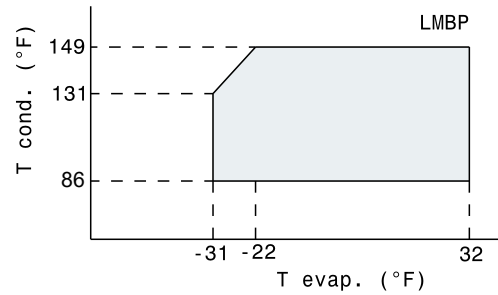


For U, L, P, X and S ranges:

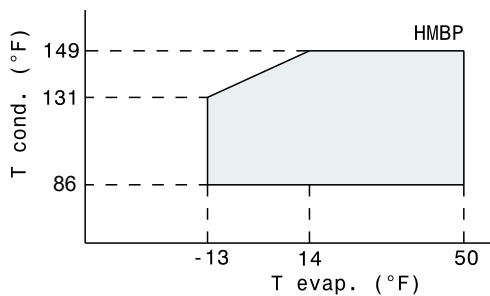
**R134a LBP**



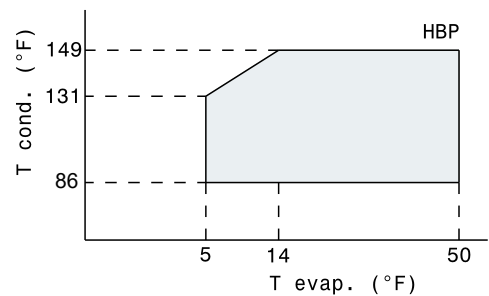
**R134a LMBP**



**R134a HMBP**

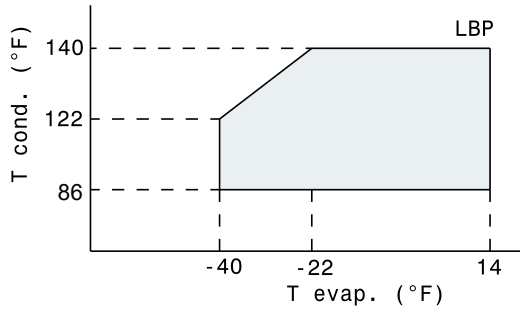


**R134a HBP**

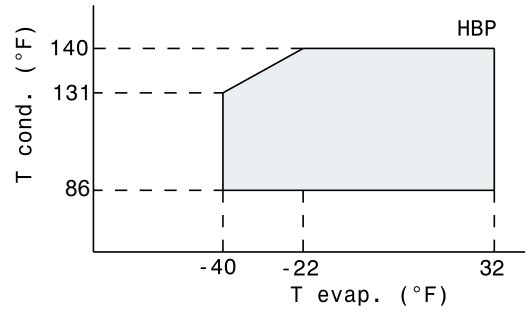


Danfoss Light Commercial Refrigeration Compressors

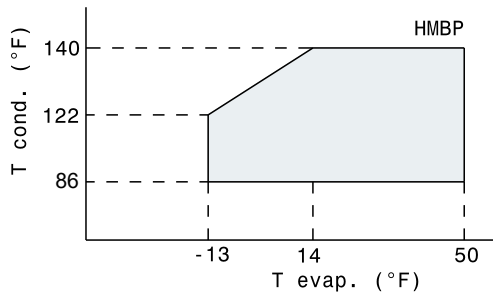
**R290 LBP**



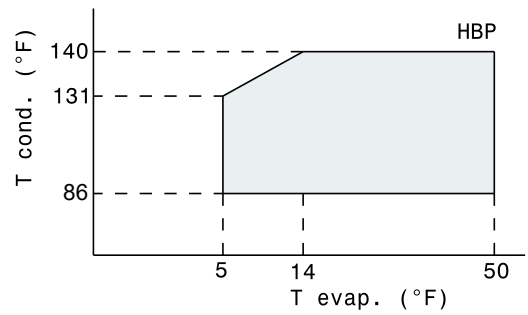
**R290 LMBP**



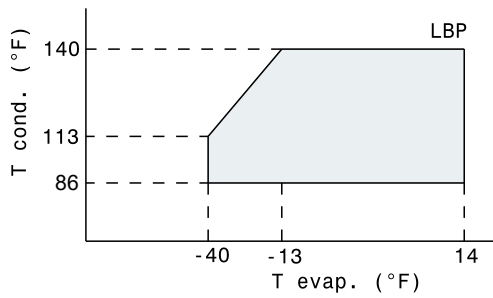
**R290 HMBP**



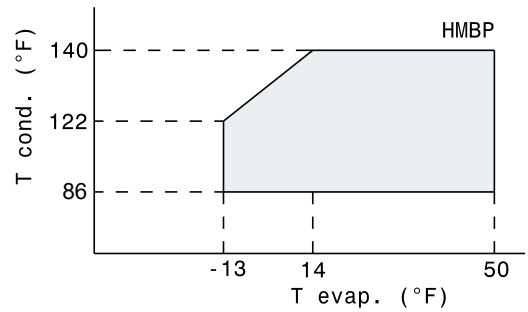
**R290 HBP**



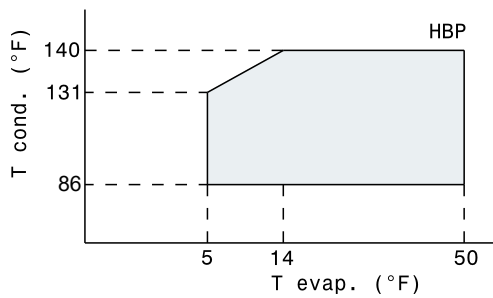
**R404A LBP**



**R404A HMBP**

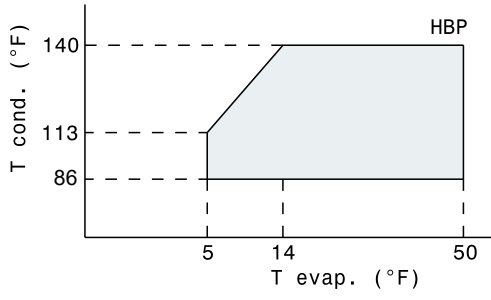


**R404A HBP**

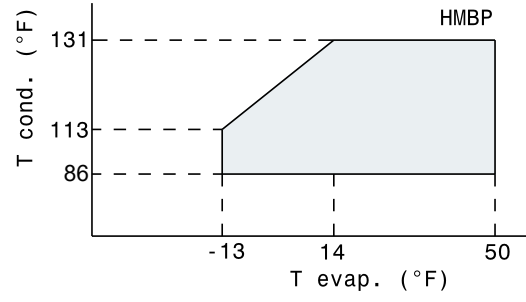


# Danfoss Light Commercial Refrigeration Compressors

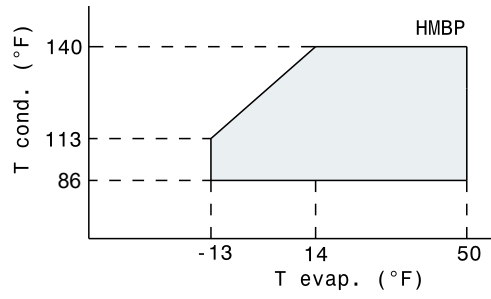
## R22 HBP



## R22 HMBP - L & P Range



## R22 HMBP - S Range





## Types of Electrical Motors

### RSIR (Resistance Start-Induction Run)

LST motor. No capacitors. Auxiliary winding is disconnected after start up. Standard energy efficiency.

### CSIR (Capacitor Start-Induction Run)

HST motor. With starting capacitor. Auxiliary winding is disconnected after start up. Standard efficiency.

### RSCR (Resistance Start-Capacitor Run)

LST motor. With running capacitor. Auxiliary winding remains connected after start up. Used for high efficiency in small capacity compressors (particularly in household refrigeration)

### CSR (Capacitor Start and Run)

HST motor. Two capacitors (starting and running). Auxiliary winding remains connected after start up. Used for high efficiency in small compressors and for size reduced size motors in compressors with comparatively large displacements.

Single phase motor classification				
Capacitor type	HST With starting capacitor		LST Without starting capacitor	
With Running capacitor	Motor type: CSIR	Starting device: Current relay + NTC for L, P and X ranges Potential relay for P, X & S ranges	Motor type: RSCR	Starting device: PTC
Without Running capacitor	Motor type: CSIR	Starting device: Current Relay	Motor type: RSIR	Starting device: Current Relay or PTC

### Type of starting device

**Current relay** – (electromechanical). RSIR/CSIR motors and CSR low/medium-power motors with NTC (the NTC is connected in series with the starting capacitor and the main purpose is to reduce the current peaks in the relay contacts)

**Potential relay** – (electromechanical). CSR high-power motors.

**PTC** – (Positive Temperature Coefficient), the resistance increases with the temperature. Device only with RSIR or RSCR motors in the D, L and P ranges.

**NTC** – (Negative Temperature Coefficient), the resistance decreases with the temperature. Used in some CSR in order to reduce dimensions and components.

### Type of torque












**LST** – Low Starting Torque – Systems with capillary tube or balanced pressures at start up.

**HST** – High Starting Torque – Systems with expansion valve or capillary tube, with unbalanced pressures at start up.



# How to read this Catalogue

## Compressors

COMPRESSOR MODEL	DANFOSS CODE (α)	DISPLACEMENT		MOTOR TYPE	VOLTAGE FREQUENCY	APPLICATION	COMPRESSOR COOLING	REFRIGERATION CAPACITY								WEIGHT	DESIGN
		cm <sup>3</sup>	hp					ASHRAE conditions Condensing temperature = 131°F (55°C)									
								-22°F (-30°C)		-10°F (-23.3°C)				+14°F (-10°C)			
								Cooling Capacity		COP		EER					
								Btu/h	W	Btu/h	W	W/W	Btu/Wh	Btu/h	W		
L22H5	123B8107	2.20	1/20	RSIR	110-120V 60Hz	LBP	Static	113	33	<b>181</b>	<b>53</b>	<b>0.75</b>	<b>2.55</b>	396	116	7.9	Lb
L30H5L	123B8108	3.1	1/12	RSIR	110-120V 60Hz	LBP	Static	164	48	<b>266</b>	<b>78</b>	<b>0.95</b>	<b>3.24</b>	580	170	8.6	Lc
B38H5	123B8110	3.80	1/12	RSIR	110-115V 60Hz	LBP	Static	203	59	<b>329</b>	<b>96</b>	<b>1.11</b>	<b>3.78</b>	720	211	11.0	Bc
B38H5L	123B8111	3.80	1/7	RSIR	110-120V 60Hz	LBP	Static	220	64	<b>329</b>	<b>96</b>	<b>1.06</b>	<b>3.62</b>	563	165	11.0	Bc
B43H5L	123B8114	4.30	1/10	RSIR	110-120V 60Hz	LBP	Static	236	69	<b>377</b>	<b>110</b>	<b>1.05</b>	<b>3.77</b>	786	230	11.0	Bc
GL45ADa	123B1153	4.56	1/8	RSIR	115V 60 Hz	LBP	Static	274	80	<b>418</b>	<b>123</b>	<b>0.98</b>	<b>3.35</b>	257	186	18.5	Lb
GL45ADb	123B1154	4.56	1/8	CSIR	115V 60 Hz	LBP	Static	274	80	<b>418</b>	<b>123</b>	<b>0.98</b>	<b>3.35</b>	257	186	18.5	Lb
GL60ADa	123B1155	5.98	1/6	RSIR	115V 60 Hz	LBP	Static	398	117	<b>615</b>	<b>180</b>	<b>1.1</b>	<b>3.75</b>	1222	358	20.9	Lb
GL60ADb	123B1156	5.98	1/6	CSIR	115V 60 Hz	LBP	Static	398	117	<b>615</b>	<b>180</b>	<b>1.1</b>	<b>3.75</b>	1222	358	20.9	Lb
 GUY60NRb	123B1301	6.00	1/5	CSIR	115-127V 60Hz	LMBP	Fan	481	141	<b>738</b>	<b>216</b>	<b>1.44</b>	<b>4.90</b>	1489	436	19.8	Ub
 GUY60NRc	123B1308	6.00	1/5	CSIR	115-127V 60Hz	LMBP	Static	481	141	<b>738</b>	<b>216</b>	<b>1.44</b>	<b>4.90</b>	1489	436	19.8	Ub
 GUY70NRb	123B1307	6.70	1/5	CSIR	115-127V 60Hz	LMBP	Fan	507	149	<b>786</b>	<b>230</b>	<b>1.50</b>	<b>5.10</b>	1626	477	20.5	Ub
 GUY70NRc	123B1309	6.70	1/5	CSIR	115-127V 60Hz	LMBP	Static	507	149	<b>786</b>	<b>230</b>	<b>1.50</b>	<b>5.10</b>	1626	477	20.5	Ub
GL80ADa	123B1157	8.10	1/5	RSIR	115V 60 Hz	LBP	Static	481	141	<b>762</b>	<b>223</b>	<b>1.07</b>	<b>3.64</b>	1571	460	21.6	Lc
GL80ADb	123B1158	8.10	1/5	CSIR	115V 60 Hz	LBP	Static	481	141	<b>762</b>	<b>223</b>	<b>1.07</b>	<b>3.64</b>	1571	460	21.6	Lc
 GUY80NRb	123B1303	8.10	1/4	CSIR	115-127V 60Hz	LMBP	Fan	580	170	<b>905</b>	<b>265</b>	<b>1.45</b>	<b>4.94</b>	1873	549	21.2	Ub
 GUY80NRc	123B1310	8.10	1/4	CSIR	115-127V 60Hz	LMBP	Static	580	170	<b>905</b>	<b>265</b>	<b>1.45</b>	<b>4.94</b>	1873	549	21.2	Ub
GL90ADa	123B1159	9.09	1/4	RSIR	115V 60 Hz	LBP	Static	580	170	<b>889</b>	<b>261</b>	<b>1.14</b>	<b>3.9</b>	1770	519	24.5	Ld
GL90ADb	123B1160	9.09	1/4	CSIR	115V 60 Hz	LBP	Static	580	170	<b>889</b>	<b>261</b>	<b>1.14</b>	<b>3.9</b>	1770	519	24.5	Ld
GL99ADa	123B1161	9.95	1/4	RSIR	115V 60 Hz	LBP	Static	622	182	<b>952</b>	<b>279</b>	<b>1.15</b>	<b>3.92</b>	1849	542	25.2	Ld
GL99ADb	123B1162	9.95	1/4	CSIR	115V 60 Hz	LBP	Static	622	182	<b>952</b>	<b>279</b>	<b>1.15</b>	<b>3.92</b>	1849	542	25.2	Ld
 GLY12NRa	123B1304	10.70	3/8	CSIR	115-127V 60Hz	LMBP	Fan	705	207	<b>1091</b>	<b>320</b>	<b>1.33</b>	<b>4.53</b>	2234	655	24.7	Ld
 GLY12NRb	123B1305	10.70	3/8	CSR	115-127V 60Hz	LMBP	Fan	705	207	<b>1091</b>	<b>320</b>	<b>1.39</b>	<b>4.74</b>	2234	655	24.7	Ld
GP14FE	123B1163	14.17	3/8	CSIR	115V 60 Hz	LBP	Fan	778	228	<b>1249</b>	<b>366</b>	<b>0.94</b>	<b>3.21</b>	2508	735	25.4	Pd
 GPY14NDa	123B1311	14.32	3/8	CSIR	115V 60 Hz	LMBP	Fan	925	271	<b>1484</b>	<b>435</b>	<b>1.17</b>	<b>4.00</b>	2979	873	26.9	Pd
 GPY14NDb	123B1312	14.32	3/8	CSR	115V 60 Hz	LMBP	Fan	925	271	<b>1484</b>	<b>435</b>	<b>1.25</b>	<b>4.27</b>	2979	873	26.9	Pd
GP16FE	123B1164	16.15	3/8	CSIR	115V 60 Hz	LBP	Fan	877	257	<b>1433</b>	<b>420</b>	<b>1.00</b>	<b>3.42</b>	2829	829	28.4	Pd
L30HL	123B8102	3.00	1/12	RSIR	220-240V 60Hz	LBP	Static	157	46	<b>252</b>	<b>74</b>	<b>1.04</b>	<b>3.54</b>	553	162	9.3	Lc
B38H	123B8109	3.80	1/7	RSIR	220-240V 60Hz	LBP	Static	203	59	<b>329</b>	<b>96</b>	<b>1.11</b>	<b>3.78</b>	720	211	10.1	Bb
B43H	123B8104	4.30	1/7	RSIR	220-240V 60Hz	LBP	Static	236	69	<b>377</b>	<b>110</b>	<b>1.11</b>	<b>3.77</b>	786	230	11.9	Bc
 B43HB	123B8105	4.30	1/10	RSCR	220-240V 60Hz	LBP	Static	236	69	<b>377</b>	<b>110</b>	<b>1.3</b>	<b>3.77</b>	786	230	11.5	Bc
GL45ANa	123B1113	4.56	1/8	RSIR	208-230 V 60 Hz	LBP	Static	274	80	<b>433</b>	<b>127</b>	<b>1.09</b>	<b>3.73</b>	897	263	18.5	Lb
GL60ANa	123B1118	5.98	1/6	RSIR	208-230 V 60 Hz	LBP	Static	452	133	<b>604</b>	<b>177</b>	<b>1.15</b>	<b>3.91</b>	1198	351	20.1	Lc
GL60ANb	123B1119	5.98	1/6	CSIR	208-230 V 60 Hz	LBP	Fan	452	133	<b>604</b>	<b>177</b>	<b>1.15</b>	<b>3.91</b>	1198	351	20.1	Lc

 Green Cooling Models

(\*) Or HFO-1234yf

(\*\*) Model under development

(α) Ordering code for single compressors. For pallet packed compressors, please use 123F instead of 123B

**R134a**

**R404A/R507**














**R22**

**R290**



Danfoss Light Commercial Refrigeration Compressors

R134a (\*) LBP | LMBP

COMPRESSOR MODEL	DANFOSS CODE (a)	DISPLACEMENT		MOTOR TYPE	VOLTAGE FREQUENCY	APPLICATION	COMPRESSOR COOLING	REFRIGERATION CAPACITY								WEIGHT	DESIGN
		ASHRAE conditions Condensing temperature = 131°F (55°C)															
		-22°F (-30°C)						-10°F (-23.3°C)				+14°F (-10°C)					
								Cooling Capacity		COP	EER						
		Btu/h	W					Btu/h	W	W/W	Btu/Wh	Btu/h	W	lbs			
L22H5	123B8107	2.20	1/20	RSIR	110-120V 60Hz	LBP	Static	113	33	181	53	0.75	2.55	396	116	7.9	Lb
L30H5L	123B8108	3.1	1/12	RSIR	110-120V 60Hz	LBP	Static	164	48	266	78	0.95	3.24	580	170	8.6	Lc
B38H5	123B8110	3.80	1/12	RSIR	110-115V 60Hz	LBP	Static	203	59	329	96	1.11	3.78	720	211	11.0	Bc
B38H5L	123B8111	3.80	1/7	RSIR	110-120V 60Hz	LBP	Static	220	64	329	96	1.06	3.62	563	165	11.0	Bc
B43H5L	123B8114	4.30	1/10	RSIR	110-120V 60Hz	LBP	Static	236	69	377	110	1.05	3.77	786	230	11.0	Bc
GL45ADa	123B1153	4.56	1/8	RSIR	115V 60 Hz	LBP	Static	274	80	418	123	0.98	3.35	257	186	18.5	Lb
GL45ADb	123B1154	4.56	1/8	CSIR	115V 60 Hz	LBP	Static	274	80	418	123	0.98	3.35	257	186	18.5	Lb
GL60ADa	123B1155	5.98	1/6	RSIR	115V 60 Hz	LBP	Static	398	117	615	180	1.1	3.75	1222	358	20.9	Lb
GL60ADb	123B1156	5.98	1/6	CSIR	115V 60 Hz	LBP	Static	398	117	615	180	1.1	3.75	1222	358	20.9	Lb
 GUY60NRb	123B1301	6.00	1/5	CSIR	115-127V 60Hz	LMBP	Fan	481	141	738	216	1.44	4.90	1489	436	19.8	Ub
 GUY60NRc	123B1308	6.00	1/5	CSIR	115-127V 60Hz	LMBP	Static	481	141	738	216	1.44	4.90	1489	436	19.8	Ub
 GUY70NRb	123B1307	6.70	1/5	CSIR	115-127V 60Hz	LMBP	Fan	507	149	786	230	1.50	5.10	1626	477	20.5	Ub
 GUY70NRc	123B1309	6.70	1/5	CSIR	115-127V 60Hz	LMBP	Static	507	149	786	230	1.50	5.10	1626	477	20.5	Ub
GL80ADa	123B1157	8.10	1/5	RSIR	115V 60 Hz	LBP	Static	481	141	762	223	1.07	3.64	1571	460	21.6	Lc
GL80ADb	123B1158	8.10	1/5	CSIR	115V 60 Hz	LBP	Static	481	141	762	223	1.07	3.64	1571	460	21.6	Lc
 GUY80NRb	123B1303	8.10	1/4	CSIR	115-127V 60Hz	LMBP	Fan	580	170	905	265	1.45	4.94	1873	549	21.2	Ub
 GUY80NRc	123B1310	8.10	1/4	CSIR	115-127V 60Hz	LMBP	Static	580	170	905	265	1.45	4.94	1873	549	21.2	Ub
GL90ADa	123B1159	9.09	1/4	RSIR	115V 60 Hz	LBP	Static	580	170	889	261	1.14	3.9	1770	519	24.5	Ld
GL90ADb	123B1160	9.09	1/4	CSIR	115V 60 Hz	LBP	Static	580	170	889	261	1.14	3.9	1770	519	24.5	Ld
GL99ADa	123B1161	9.95	1/4	RSIR	115V 60 Hz	LBP	Static	622	182	952	279	1.15	3.92	1849	542	25.2	Ld
GL99ADb	123B1162	9.95	1/4	CSIR	115V 60 Hz	LBP	Static	622	182	952	279	1.15	3.92	1849	542	25.2	Ld
 GLY12NRa	123B1304	10.70	3/8	CSIR	115-127V 60Hz	LMBP	Fan	705	207	1091	320	1.33	4.53	2234	655	24.7	Ld
 GLY12NRb	123B1305	10.70	3/8	CSR	115-127V 60Hz	LMBP	Fan	705	207	1091	320	1.39	4.74	2234	655	24.7	Ld
GP14FE	123B1163	14.17	3/8	CSIR	115V 60 Hz	LBP	Fan	778	228	1249	366	0.94	3.21	2508	735	25.4	Pd
 GPY14NDa	123B1311	14.32	3/8	CSIR	115V 60 Hz	LMBP	Fan	925	271	1484	435	1.17	4.00	2979	873	26.9	Pd
 GPY14NDb	123B1312	14.32	3/8	CSR	115V 60 Hz	LMBP	Fan	925	271	1484	435	1.25	4.27	2979	873	26.9	Pd
GP16FE	123B1164	16.15	3/8	CSIR	115V 60 Hz	LBP	Fan	877	257	1433	420	1.00	3.42	2829	829	28.4	Pd
L30HL	123B8102	3.00	1/12	RSIR	220-240V 60Hz	LBP	Static	157	46	252	74	1.04	3.54	553	162	9.3	Lc
B38H	123B8109	3.80	1/7	RSIR	220-240V 60Hz	LBP	Static	203	59	329	96	1.11	3.78	720	211	10.1	Bb
B43H	123B8104	4.30	1/7	RSIR	220-240V 60Hz	LBP	Static	236	69	377	110	1.11	3.77	786	230	11.9	Bc
 B43HB	123B8105	4.30	1/10	RSCR	220-240V 60Hz	LBP	Static	236	69	377	110	1.3	3.77	786	230	11.5	Bc
GL45ANa	123B1113	4.56	1/8	RSIR	208-230 V 60 Hz	LBP	Static	274	80	433	127	1.09	3.73	897	263	18.5	Lb
GL60ANa	123B1118	5.98	1/6	RSIR	208-230 V 60 Hz	LBP	Static	452	133	604	177	1.15	3.91	1198	351	20.1	Lc
GL60ANb	123B1119	5.98	1/6	CSIR	208-230 V 60 Hz	LBP	Fan	452	133	604	177	1.15	3.91	1198	351	20.1	Lc
GL60ANc	123B1120	5.98	1/6	CSIR	208-230 V 60 Hz	LBP	Static	452	133	604	177	1.15	3.91	1198	351	20.1	Lc
GL70ANa	123B1173	6.65	1/5	RSIR	208-230V 60Hz	LBP	Static	464	136	694	203	1.17	3.99	1361	399	20.9	Lc
GL80ANa	123B1125	8.10	1/5	RSIR	208-230V 60 Hz	LBP	Static	520	152	826	242	1.19	4.07	1619	475	21.6	Ld
GL80ANb	123B1126	8.10	1/5	CSIR	208-230 V 60 Hz	LBP	Fan	520	152	826	242	1.19	4.07	1619	475	21.6	Ld
GL80ANc	123B1127	8.10	1/5	CSIR	208-230 V 60 Hz	LBP	Static	520	152	826	242	1.19	4.07	1619	475	21.6	Ld
GL90ANa	123B1132	9.09	1/4	RISR	208-230 V 60 Hz	LBP	Static	564	165	863	253	1.20	4.10	1774	520	22.9	Ld
GL90ANb	123B1133	9.09	1/4	CSIR	208-230 V 60 Hz	LBP	Fan	564	165	863	253	1.20	4.10	1774	520	22.9	Ld
GL90ANc	123B1134	9.09	1/4	CSIR	208-230 V 60 Hz	LBP	Static	564	165	863	253	1.20	4.10	1774	520	22.9	Ld
GP14CG	123B1142	14.17	3/8	RSIR	208-230 V 60 Hz	LBP	Fan	758	222	1231	361	1.18	4.03	2480	727	25.4	Pc
 GPY14NGa	123B1313	14.32	3/8	CSIR	220-230V 60Hz	LMBP	Fan	1017	298	1527	448	1.26	4.29	3095	907	27.3	Pd
 GPY14NGb	123B1314	14.32	3/8	CSR	220-230V 60Hz	LMBP	Fan	1017	298	1547	453	1.33	4.55	3095	907	27.3	Pd

















 Green Cooling Models

(\*) Or HFO-1234yf. Can be used with R513A and R450A

(a) Ordering code for single compressors. For pallet packed compressors, please use 123F instead of 123B

Danfoss Light Commercial Refrigeration Compressors

R134a (\*) HBP | HMBP

COMPRESSOR MODEL	DANFOSS CODE (a)	POWER		MOTOR TYPE	VOLTAGE FREQUENCY	APPLICATION	COMPRESSOR COOLING	REFRIGERATION CAPACITY												WEIGHT lbs	DESIGN		
		cm <sup>3</sup>	hp					ASHRAE conditions Condensing temperature = 131°F (55°C)															
								+14°F (-10°C)						+20°F (-6.7°C)				+45°F (+7.2°C)					
								Cooling Capacity		COP	EER	Cooling Capacity		COP	EER	Cooling Capacity		COP	EER				
								Btu/h	W	Btu/h	W	W/W	Btu/Wh	Btu/h	W	W/W	Btu/Wh	Btu/h	W			W/W	Btu/Wh
B22G5	123B8116	2.20	1/16	RSIR	110-115V 60Hz	HBP	S / F	352	103	416	122	1.49	5.07	<b>771</b>	<b>226</b>	<b>2.13</b>	<b>7.27</b>	10.6	Bb				
B25G5L	123B8119	2.60	1/14	CSIR	110-115V 60Hz	HBP	S / F	395	116	485	142	1.46	5.00	<b>952</b>	<b>279</b>	<b>2.28</b>	<b>7.78</b>	11.8	Be				
B30G5	123B8122	3.10	1/12	RSIR	110-115V 60Hz	HBP	S / F	496	145	587	172	1.45	4.93	<b>1072</b>	<b>314</b>	<b>2.08</b>	<b>7.08</b>	10.6	Bb				
B35G5	123B8124	3.50	1/10	CSIR	110-115V 60Hz	HBP	S / F	576	169	677	198	1.43	4.87	<b>1250</b>	<b>366</b>	<b>2.12</b>	<b>7.22</b>	10.8	Bb				
B38G5L	123B8126	3.80	1/8	CSIR	110-115V 60Hz	HBP	S / F	677	198	801	235	1.52	5.17	<b>1440</b>	<b>422</b>	<b>2.13</b>	<b>7.26</b>	12.1	Be				
GL45PE	123B1568	4.50	1/6	RSIR	115 V 60 Hz	HMBP	Fan	766	224	902	264	1.34	4.56	<b>1634</b>	<b>479</b>	<b>1.84</b>	<b>6.29</b>	18.5	Lb				
GL45TE	123B1569	4.50	1/6	CSIR	115 V 60 Hz	HMBP	Fan	766	224	902	264	1.34	4.56	<b>1634</b>	<b>479</b>	<b>1.84</b>	<b>6.29</b>	19.0	Lb				
GL60PE	123B1570	5.68	1/5	RSIR	115 V 60 Hz	HMBP	Fan	976	286	1151	337	1.46	4.98	<b>2088</b>	<b>612</b>	<b>2.01</b>	<b>6.85</b>	20.9	Lc				
GL60TE	123B1571	5.68	1/5	CSIR	115 V 60 Hz	HMBP	Fan	976	286	1151	337	1.46	4.98	<b>2088</b>	<b>612</b>	<b>2.01</b>	<b>6.85</b>	21.4	Lc				
GL80PE	123B1574	7.57	1/5	RSIR	115 V 60 Hz	HMBP	Fan	1230	361	1456	427	1.54	5.26	<b>2648</b>	<b>776</b>	<b>2.04</b>	<b>6.97</b>	20.9	Lc				
GL80TE	123B1575	7.57	1/5	CSIR	115 V 60 Hz	HMBP	Fan	1230	361	1456	427	1.54	5.26	<b>2648</b>	<b>776</b>	<b>2.04</b>	<b>6.97</b>	22.3	Lc				
 GLY80RDa	123B1572	8.10	1/5	CSIR	115V 60 Hz	HMBP	Fan	1468	430	1735	508	1.71	5.82	<b>3177</b>	<b>931</b>	<b>2.34</b>	<b>7.99</b>	23.4	Lc				
 GLY80RDb	123B1573	8.10	1/5	CSR	115V 60 Hz	HMBP	Fan	1468	430	1735	508	1.82	6.20	<b>3177</b>	<b>931</b>	<b>2.51</b>	<b>8.57</b>	23.4	Lc				
GL90MG	123B1707	8.85	1/4	CSIR	230V 60 Hz	HBP	Static	1468	430	1829	536	1.59	5.41	<b>3177</b>	<b>931</b>	<b>2.12</b>	<b>7.22</b>	23.8	Ld				
GL90PE	123B1578	8.85	1/4	RSIR	115V 60 Hz	HMBP	Fan	1484	435	1749	513	1.53	5.22	<b>3160</b>	<b>926</b>	<b>2.06</b>	<b>7.02</b>	23.8	Ld				
GL90TE	123B1579	8.85	1/4	CSIR	115V 60 Hz	HMBP	Fan	1484	435	1749	513	1.53	5.22	<b>3160</b>	<b>926</b>	<b>2.06</b>	<b>7.02</b>	23.8	Ld				
 GLY90RDa	123B1576	9.09	1/4	CSIR	115V 60 Hz	HMBP	Fan	1694	497	1991	584	1.68	5.72	<b>3574</b>	<b>1047</b>	<b>2.25</b>	<b>7.68</b>	23.4	Ld				
 GLY90RDb	123B1577	9.09	1/4	CSR	115V 60 Hz	HMBP	Fan	1694	497	1991	584	1.79	6.09	<b>3574</b>	<b>1047</b>	<b>2.42</b>	<b>8.26</b>	23.4	Ld				
 GLY12RRa	123B1601	10.70	3/8	CSIR	115-127V 60Hz	HMBP	Fan	1964	576	2311	677	1.61	5.48	<b>4143</b>	<b>1214</b>	<b>2.20</b>	<b>7.50</b>	24.6	Ld				
 GLY12RRb	123B1599	10.70	3/8	CSR	115-127V 60Hz	HMBP	Fan	1964	576	2311	677	1.71	5.82	<b>4143</b>	<b>1214</b>	<b>2.32</b>	<b>7.92</b>	24.6	Ld				
 GPY12RDa	123B1580	12.10	3/8	CSIR	115V 60 Hz	HMBP	Fan	2302	675	2681	786	1.68	5.73	<b>4685</b>	<b>1373</b>	<b>2.25</b>	<b>7.68</b>	27.1	Pd				
 GPY12RDb	123B1581	12.10	3/8	CSR	115V 60 Hz	HMBP	Fan	2302	675	2681	786	1.8	6.14	<b>4685</b>	<b>1373</b>	<b>2.44</b>	<b>8.33</b>	27.1	Pd				
 GPY14RDa	123B1584	14.32	1/2	CSIR	115V 60 Hz	HMBP	Fan	2657	779	1023	300	0.72	2.58	<b>5824</b>	<b>1707</b>	<b>2.22</b>	<b>7.56</b>	28.2	Pd				
 GPY14RDb	123B1585	14.32	1/2	CSR	115V 60 Hz	HMBP	Fan	2657	779	1023	300	0.76	1.60	<b>5824</b>	<b>1707</b>	<b>2.36</b>	<b>8.07</b>	28.2	Pd				
GP16TE	123B1718	16.15	3/8	CSIR	115V 60 Hz	HBP	Fan	2714	795	3196	937	1.44	4.91	<b>5756</b>	<b>1687</b>	<b>1.96</b>	<b>6.69</b>	28.4	Pd				
 GPY16RDa	123B1588	16.15	1/2	CSIR	115V 60 Hz	HMBP	Fan	2976	872	3486	1022	1.59	5.44	<b>6202</b>	<b>1818</b>	<b>2.18</b>	<b>7.42</b>	27.6	Pd				
 GPY16RDb	123B1589	16.15	1/2	CSR	115V 60 Hz	HMBP	Fan	2976	872	3486	1022	1.7	5.78	<b>6202</b>	<b>1818</b>	<b>2.31</b>	<b>7.90</b>	27.6	Pd				
B25G	123B8117	2.6	1/14	RSIR	220-240V 50/60Hz	HBP	S / F	416	122	492	144	1.49	5.14	<b>920</b>	<b>270</b>	<b>2.1</b>	<b>7.16</b>	10.3	Bb				
B38G	123B8125	3.50	1/10	CSIR	220-240V 50/60Hz	HBP	S / F	685	123	786	230	1.72	5.87	<b>1386</b>	<b>176</b>	<b>2.31</b>	<b>7.87</b>	11.8	Bb				
GL45MG	123B1704	4.50	1/6	CSIR	230V 60 Hz	HBP	Static	766	224	951	279	1.41	4.83	<b>1634</b>	<b>479</b>	<b>1.92</b>	<b>6.54</b>	19.4	Lb				
GL45TG	123B1517	4.50	1/6	CSIR	208-230V 60 Hz	HMBP	Fan	766	224	902	264	1.37	4.67	<b>1634</b>	<b>479</b>	<b>1.92</b>	<b>6.54</b>	19.0	Lb				
GL60MG	123B1705	5.68	1/5	CSIR	230V 60 Hz	HBP	Static	967	284	1148	336	1.46	4.97	<b>2064</b>	<b>605</b>	<b>2.02</b>	<b>6.88</b>	21.8	Lc				
GL60TG	123B1522	5.68	1/5	CSIR	208-230V 60 Hz	HMBP	Fan	976	286	1151	337	1.49	5.07	<b>2088</b>	<b>612</b>	<b>2.04</b>	<b>6.96</b>	21.8	Lc				
GL80MG	123B1706	7.57	1/5	CSIR	230V 60 Hz	HBP	Static	1303	382	1575	462	1.57	5.34	<b>2788</b>	<b>817</b>	<b>2.15</b>	<b>7.33</b>	22.3	Lc				
GL80TG	123B1528	7.57	1/5	CSIR	208-230V 60 Hz	HMBP	Fan	1230	361	1456	427	1.54	5.26	<b>2648</b>	<b>776</b>	<b>2.04</b>	<b>6.97</b>	22.3	Lc				
GL90TG	123B1534	8.85	1/4	CSIR	208-230V 60 Hz	HMBP	Fan	1484	435	1749	513	1.49	5.08	<b>3160</b>	<b>926</b>	<b>1.97</b>	<b>6.72</b>	23.8	Ld				
 GLY12RGa	123B1710	10.70	3/8	CSIR	220-230V 60Hz	HBP	Fan	1956	573	2291	671	1.6	5.45	<b>4031</b>	<b>1181</b>	<b>2.00</b>	<b>6.82</b>	24.7	Ld				
 GLY12RGb	123B1711	10.70	3/8	CSR	220-230V 60Hz	HBP	Fan	1956	573	2291	671	1.75	5.97	<b>4031</b>	<b>1181</b>	<b>2.24</b>	<b>7.64</b>	24.7	Ld				
GP14TG	123B1539	14.17	3/8	CSIR	208-230V 60 Hz	HMBP	Fan	2183	640	2596	761	1.53	5.21	<b>4784</b>	<b>1402</b>	<b>2.03</b>	<b>6.93</b>	28.4	Pd				
GP16TG	123B1714	16.15	3/8	CSIR	208-230V 60 Hz	HBP	Fan	2714	795	3196	937	1.52	5.20	<b>5756</b>	<b>1687</b>	<b>2.00</b>	<b>6.81</b>	28.4	Pd				
 GPT16RG	123B1715	16.15	1/2	CSR	220-230V 60Hz	HBP	Fan	3036	890	3510	1029	1.73	5.91	<b>6639</b>	<b>1946</b>	<b>2.17</b>	<b>8.09</b>	27.6	Pd				
 GPT18RG	123B1720	18.00	1/2	CSR	230V 60 Hz	HBP	Fan	3256	954	1710	501	1.63	5.55	<b>6702</b>	<b>1964</b>	<b>2.2</b>	<b>7.5</b>	28.3	Pd				
GX18TG	123B1545	18.40	1/2	CSIR	208-230V 60 Hz	HMBP	Fan	3107	911	3671	1076	1.58	5.37	<b>6643</b>	<b>1947</b>	<b>2.17</b>	<b>7.42</b>	35.1	Xc				
GX23TG	123B1548	23.20	5/8	CSIR	208-230V 60 Hz	HMBP	Fan	3889	1140	4584	1343	1.47	5.00	<b>8260</b>	<b>2421</b>	<b>1.98</b>	<b>6.77</b>	37.5	Xd				
GS26TG	123B1550	25.93	3/4	CSIR	208-230V 60 Hz	HMBP	Fan	4325	1268	5241	1536	1.69	5.77	<b>9926</b>	<b>2909</b>	<b>2.40</b>	<b>8.20</b>	50.0	Sc				
GS30TG	123B1553	29.95	7/8	CSR	208-230V 60 Hz	HMBP	Fan	4881	1430	5975	1751	1.78	6.08	<b>11833</b>	<b>3468</b>	<b>2.61</b>	<b>8.90</b>	50.7	Sd				
GS34TG	123B1614	34.42	1	CSR	220-230V 60Hz	HMBP	Fan	5069	1486	6957	2039	1.77	6.05	<b>12407</b>	<b>3636</b>	<b>2.18</b>	<b>7.44</b>	49.2	Sd				
GS34TF	123B1590	34.42	1	CSR	208-230V 60 Hz	HMBP	Fan	6310	1849	7510	2201	1.86	6.36	<b>13580</b>	<b>3980</b>	<b>2.50</b>	<b>8.20</b>	50.0	Sd				
GS26T3	123B1551	25.93	3/4	3PH	440V 60 Hz	HMBP	Fan	4325	1268	5241	1536	1.76	5.98	<b>9926</b>	<b>2909</b>	<b>2.40</b>	<b>8.20</b>	50.0	Sd				



















 Green Cooling Models

Or HFO-1234yf. Can be used with R513A and R450A

(a) Ordering code for single compressors. For pallet packed compressors, please use 123F instead of 123B

# Danfoss Light Commercial Refrigeration Compressors

## R404A • R507 LBP

COMPRESSOR MODEL	DANFOSS CODE (a)	DISPLACEMENT		MOTOR TYPE	VOLTAGE FREQUENCY	APPLICATION	COMPRESSOR COOLING	REFRIGERATION CAPACITY								WEIGHT	DESIGN
		ASHRAE conditions Condensing temperature = 131°F (55°C)															
		-22°F (-30°C)						-10°F (-23.3°C)				+14°F (-10°C)					
								Cooling Capacity		COP	EER						
		Btu/h	W					Btu/h	W	W/W	Btu/Wh	Btu/h	W	lbs			
ML45FR	123B2160	4.56	1/6	CSIR	115-127V 60 Hz	LBP	Fan	540	158	<b>794</b>	<b>233</b>	<b>1.01</b>	<b>3.45</b>	1488	436	22.7	Lc
 MLY45LRa	123B2141	4.56	1/6	CSIR	115-127V 60Hz	LBP	Fan	655	192	<b>968</b>	<b>284</b>	<b>1.23</b>	<b>4.19</b>	1758	515	20.5	Lc
 MLY45LRb	123B2142	4.56	1/6	CSR	115-127V 60Hz	LBP	Fan	655	192	<b>968</b>	<b>284</b>	<b>1.27</b>	<b>4.34</b>	1758	515	20.5	Lc
ML60FR	123B2143	5.98	1/5	CSIR	115-127V 60 Hz	LBP	Fan	718	211	<b>1044</b>	<b>306</b>	<b>1.01</b>	<b>3.45</b>	1905	558	22.7	Lc
 MLY60LDa	123B2144	5.98	1/5	CSIR	115V 60 Hz	LBP	Fan	667	195	<b>1297</b>	<b>380</b>	<b>1.25</b>	<b>4.26</b>	2325	682	22.7	Lc
 MLY60LDb	123B2145	5.98	1/5	CSR	115V 60 Hz	LBP	Fan	667	195	<b>1297</b>	<b>380</b>	<b>1.34</b>	<b>4.56</b>	2325	682	22.7	Lc
ML80FR	123B2146	8.10	1/4	CSIR	115-127V 60 Hz	LBP	Fan	1028	301	<b>1492</b>	<b>437</b>	<b>1.05</b>	<b>3.59</b>	2738	802	24.9	Lc
ML90FR	123B2147	8.86	1/3	CSIR	115-127V 60 Hz	LBP	Fan	1115	327	<b>1627</b>	<b>477</b>	<b>1.11</b>	<b>3.79</b>	2976	872	24.9	Ld
 MLT90CD	123B2149	9.09	1/3	RSCR	115V 60 Hz	LBP	Fan	1333	391	<b>1881</b>	<b>551</b>	<b>1.40</b>	<b>4.78</b>	3571	1047	22.7	Ld
 MLT90CDc	123B2150	9.09	1/3	CSR	115V 60 Hz	LBP	Static	1306	383	<b>1881</b>	<b>551</b>	<b>1.40</b>	<b>4.78</b>	3476	1019	22.7	Ld
 MLT90LD	123B2148	9.09	1/3	CSR	115V 60 Hz	LBP	Fan	1306	383	<b>1881</b>	<b>551</b>	<b>1.40</b>	<b>4.78</b>	3476	1019	22.7	Ld
 MLY12LRa	123B2181	10.70	3/8	CSIR	115-127V 60Hz	LBP	Fan	1714	502	<b>2381</b>	<b>698</b>	<b>1.34</b>	<b>4.56</b>	4016	1177	24.4	Ld
 MLY12LRb	123B2182	10.70	3/8	CSR	115-127V 60Hz	LBP	Fan	1714	502	<b>2381</b>	<b>698</b>	<b>1.41</b>	<b>4.80</b>	4016	1177	24.4	Ld
 MPT12CD	123B2153	12.10	3/8	RSCR	115V 60 Hz	LBP	Fan	1905	558	<b>2580</b>	<b>756</b>	<b>1.41</b>	<b>4.83</b>	4603	1349	25.4	Pd
 MPT12LD	123B2152	12.10	3/8	CSR	115V 60 Hz	LBP	Fan	1905	558	<b>2580</b>	<b>756</b>	<b>1.41</b>	<b>4.83</b>	4603	1349	25.4	Pd
 MPT14LD	123B2155	14.32	1/2	CSR	115V 60 Hz	LBP	Fan	1893	555	<b>2896</b>	<b>849</b>	<b>1.27</b>	<b>4.33</b>	5509	1615	29.5	Pd
 MPT16LD	123B2184	16.15	1/3	CSR	115V 60 Hz	LBP	Fan	2338	685	<b>3341</b>	<b>979</b>	<b>1.33</b>	<b>4.54</b>	5960	1747	27.5	Pd
MX21FR	123B2185	20.72	1/2	CSR	115V 60 Hz	LBP	Fan	2883	845	<b>3730</b>	<b>1093</b>	<b>1.32</b>	<b>4.5</b>	4643	1361	38.5	Xd
ML45FG	123B2104	4.56	1/6	CSIR	208-230V 60 Hz	LBP	Fan	540	158	<b>794</b>	<b>233</b>	<b>0.97</b>	<b>3.31</b>	1488	436	22.7	Lc
ML60FG	123B2108	5.98	1/5	CSIR	208-230V 60 Hz	LBP	Fan	615	180	<b>1041</b>	<b>305</b>	<b>0.99</b>	<b>3.36</b>	1627	477	24.9	Lc
ML80FG	123B2112	8.10	1/4	CSIR	208-230V 60 Hz	LBP	Fan	1028	301	<b>1492</b>	<b>437</b>	<b>1.07</b>	<b>3.64</b>	2738	802	24.9	Ld
ML90FG	123B2116	8.86	1/3	CSIR	230V 60 Hz	LBP	Fan	1115	327	<b>1627</b>	<b>477</b>	<b>2.15</b>	<b>3.78</b>	2976	872	24.9	Ld
 MLY12LFa	123B2179	10.70	3/8	CSIR	208-230V 60Hz	LBP	Fan	1576	462	<b>2270</b>	<b>665</b>	<b>1.29</b>	<b>4.39</b>	4091	1199	23.4	Ld
 MLY12LFb	123B2180	10.70	3/8	CSR	208-230V 60Hz	LBP	Fan	1576	462	<b>2270</b>	<b>665</b>	<b>1.33</b>	<b>4.52</b>	4091	1199	23.6	Ld
 MLY12LGa	123B2121	10.70	3/8	CSIR	230V 60Hz	LBP	Fan	1614	473	<b>2297</b>	<b>673</b>	<b>1.22</b>	<b>4.16</b>	4099	1201	24.4	Ld
 MLY12LGb	123B2122	10.70	3/8	CSR	230V 60Hz	LBP	Fan	1614	473	<b>2297</b>	<b>673</b>	<b>1.29</b>	<b>4.40</b>	4099	1201	24.6	Ld
MP14FG	123B2125	14.17	1/2	CSIR	230V 60 Hz	LBP	Fan	1635	479	<b>2501</b>	<b>733</b>	<b>1.15</b>	<b>3.91</b>	4758	1394	28.7	Pd
 MPT14LF	123B2156	14.32	1/2	CSR	208-230V 60 Hz	LBP	Fan	1998	585	<b>3056</b>	<b>896</b>	<b>1.34</b>	<b>4.57</b>	5814	1704	29.5	Pd
MX21FGa	123B2186	20.72	3/4	CSR	208-230V 60 Hz	LBP	Fan	2484	728	<b>3730</b>	<b>1093</b>	<b>1.32</b>	<b>4.51</b>	7024	2059	35.7	Xd
MX23FGa	123B2183	23.20	7/8	CSR	208-230V 60 Hz	LBP	Fan	2881	844	<b>4266</b>	<b>1250</b>	<b>1.32</b>	<b>4.49</b>	7937	2326	39.2	Xd
MS26FF	123B2157	25.93	3/4	CSR	208-230V 60 Hz	LBP	Fan	2948	864	<b>4634</b>	<b>1358</b>	<b>1.30</b>	<b>4.45</b>	8822	2585	49.8	Sd
MS26FG	123B2135	25.93	3/4	CSR	230V 60 Hz	LBP	Fan	2948	864	<b>4634</b>	<b>1358</b>	<b>2.00</b>	<b>4.46</b>	8822	2585	49.8	Xd
MS30FF	123B2158	29.95	7/8	CSR	208-230V 60 Hz	LBP	Fan	3508	1028	<b>5554</b>	<b>1628</b>	<b>1.31</b>	<b>4.48</b>	10675	3128	50.0	Sd
MS34FF	123B2174	34.42	1	CSIR	208V 60 Hz	LBP	Fan	4064	1191	<b>6254</b>	<b>1833</b>	<b>1.30</b>	<b>4.43</b>	12500	3663	50.5	Sd
MS30FG	123B2159	29.95	7/8	CSR	230V 60 Hz	LBP	Fan	3508	1028	<b>5554</b>	<b>1628</b>	<b>1.36</b>	<b>4.62</b>	10675	3128	50.0	Sd
MS26F3	123B2136	25.93	3/4	3 ph	440V 60 Hz	LBP	Fan	2948	864	<b>4634</b>	<b>1358</b>	<b>1.31</b>	<b>4.46</b>	8822	2585	45.9	Sd
MS30F3	123B2138	29.95	7/8	3 ph	440V 60 Hz	LBP	Fan	3508	1028	<b>5554</b>	<b>1628</b>	<b>1.32</b>	<b>4.52</b>	10675	3128	52.9	Sd
MS34F3	123B2140	34.42	1	3 ph	440V 60 Hz	LBP	Fan	4064	1191	<b>6466</b>	<b>1895</b>	<b>1.36</b>	<b>4.62</b>	12500	3663	50.5	Sd

 Green Cooling models

(a) Ordering code for single compressors. For pallet packed compressors, please use 123F instead of 123B



Danfoss Light Commercial Refrigeration Compressors

R404A • R507 HBP | HMBP

COMPRESSOR MODEL	DANFOSS CODE (a)	DISPLACEMENT	POWER	MOTOR TYPE	VOLTAGE FREQUENCY	APPLICATION	COMPRESSOR COOLING	REFRIGERATION CAPACITY										WEIGHT	DESIGN		
								ASHRAE conditions Condensing temperature = 131°F (55°C)													
								+14°F (-10°C)		+20°F (-6.7°C)				+45°F (+7.2°C)							
										Cooling Capacity		COP		EER		Cooling Capacity				COP	
								Btu/h	W	Btu/h	W	W/W	Btu/Wh	Btu/h	W	W/W	Btu/Wh			Btu/h	W
ML60TR	123B2529	5.68	1/4	CSIR	115-127V 60 Hz	HMBP	Fan	1627	477	<b>1886</b>	<b>553</b>	<b>1.33</b>	<b>4.53</b>	<b>3261</b>	<b>956</b>	<b>1.84</b>	<b>6.27</b>	221.	Lc		
MLY60RDa	123B2527	5.98	1/4	CSR	115V 60 Hz	HMBP	Fan	2024	593	<b>2323</b>	<b>681</b>	<b>1.56</b>	<b>5.33</b>	<b>3869</b>	<b>1134</b>	<b>2.10</b>	<b>7.17</b>	24.3	Lc		
MLY60RDb	123B2528	5.98	1/4	CSR	115V 60 Hz	HMBP	Fan	2024	593	<b>2323</b>	<b>681</b>	<b>1.65</b>	<b>5.62</b>	<b>3869</b>	<b>1134</b>	<b>2.27</b>	<b>7.74</b>	24.3	Lc		
MLY80RDa	123B2530	8.10	3/8	CSIR	115V 60 Hz	HMBP	Fan	2698	791	<b>3112</b>	<b>912</b>	<b>1.62</b>	<b>5.52</b>	<b>5290</b>	<b>1550</b>	<b>2.15</b>	<b>7.34</b>	24.7	Ld		
MLY80RDb	123B2531	8.10	3/8	CSR	115V 60 Hz	HMBP	Fan	2698	791	<b>3112</b>	<b>912</b>	<b>1.68</b>	<b>5.73</b>	<b>5290</b>	<b>1550</b>	<b>2.22</b>	<b>7.59</b>	24.7	Ld		
MLT12RR	123B2547	10.70	3/8	CSR	115V 60 Hz	HMBP	Fan	3603	1056	<b>4107</b>	<b>1204</b>	<b>1.64</b>	<b>5.60</b>	<b>6690</b>	<b>1961</b>	<b>2.15</b>	<b>7.32</b>	27.0	Pd		
MPT14RD (**)	123B2544	14.32	1/2	CSR	115V 60 Hz	HMBP	Fan	4700	1378	<b>5350</b>	<b>1568</b>	<b>1.58</b>	<b>5</b>	<b>8650</b>	<b>2535</b>	<b>1.95</b>	<b>6.66</b>	27.5	Pd		
MX16TE	123B2548	16.10	1/2	CSR	115V 60 Hz	HMBP	Fan	4503	1320	<b>5236</b>	<b>1534</b>	<b>1.47</b>	<b>5.02</b>	<b>9007</b>	<b>2640</b>	<b>2</b>	<b>6.82</b>	38	Xd		
MX18TE	123B2545	18.40	7/8	CSR	115V 60 Hz	HMBP	Fan	5060	1483	<b>5883</b>	<b>1724</b>	<b>1.45</b>	<b>4.95</b>	<b>10120</b>	<b>2966</b>	<b>1.97</b>	<b>6.72</b>	37.5	Xd		
ML45TG	123B2504	4.50	1/5	CSIR	208-230V 60 Hz	HMBP	Fan	1536	450	<b>1572</b>	<b>461</b>	<b>1.31</b>	<b>4.47</b>	<b>2653</b>	<b>778</b>	<b>1.75</b>	<b>5.96</b>	22.1	Lc		
MLT45RG	123B2546	4.50	1/5	CSR	230V 60 Hz	HMBP	Fan	1551	455	<b>1779</b>	<b>521</b>	<b>1.69</b>	<b>5.76</b>	<b>2952</b>	<b>865</b>	<b>2.25</b>	<b>7.67</b>	21.5	Ld		
ML60TG	123B2508	5.68	1/4	CSIR	230V 60 Hz	HMBP	Fan	1627	477	<b>1886</b>	<b>553</b>	<b>1.34</b>	<b>4.58</b>	<b>3261</b>	<b>956</b>	<b>1.84</b>	<b>6.27</b>	22.1	Lc		
MLY60RGa	123B2550	5.98	1/4	CSIR	220-230V 60Hz	HMBP	Fan	2004	587	<b>2293</b>	<b>672</b>	<b>1.62</b>	<b>5.53</b>	<b>3797</b>	<b>1113</b>	<b>2.14</b>	<b>7.29</b>	22.8	Lc		
MLY60RGb	123B2551	5.98	1/4	CSR	220-230V 60Hz	HMBP	Fan	2004	587	<b>2341</b>	<b>686</b>	<b>1.75</b>	<b>5.97</b>	<b>3797</b>	<b>1113</b>	<b>2.33</b>	<b>7.94</b>	22.8	Lc		
ML80TG	123B2512	7.57	3/8	CSIR	208-230V 60 Hz	HMBP	Fan	2250	659	<b>2600</b>	<b>762</b>	<b>1.45</b>	<b>4.95</b>	<b>4415</b>	<b>1294</b>	<b>1.96</b>	<b>6.69</b>	24.7	Ld		
ML90TG	123B2516	8.86	3/8	CSIR	230V 60 Hz	HMBP	Fan	2694	790	<b>3110</b>	<b>911</b>	<b>1.44</b>	<b>4.91</b>	<b>5305</b>	<b>1555</b>	<b>1.90</b>	<b>6.47</b>	28.0	Ld		
MLT12RG	123B2532	10.70	3/8	CSR	220-230V 60Hz	HMBP	Fan	3472	1018	<b>3986</b>	<b>1168</b>	<b>1.58</b>	<b>5.39</b>	<b>6686</b>	<b>1959</b>	<b>2.16</b>	<b>7.36</b>	27.0	Ld		
MPT12RG	123B2703	12.10	3/8	CSR	220-230V 60Hz	HBP	Fan	3875	1136	<b>4429</b>	<b>1298</b>	<b>1.59</b>	<b>5.43</b>	<b>7436</b>	<b>2179</b>	<b>2.22</b>	<b>7.56</b>	28.4	Pd		
MPT14RF	123B2543	14.32	1/2	CSR	220-230V 60Hz	HMBP	Fan	4515	1323	<b>5149</b>	<b>1510</b>	<b>1.47</b>	<b>5.02</b>	<b>8571</b>	<b>2512</b>	<b>1.91</b>	<b>6.52</b>	27.5	Pd		
MX18TGa	123B2541	18.40	7/8	CSR	208-230V 60 Hz	HMBP	Fan	5476	1605	<b>6337</b>	<b>1857</b>	<b>1.55</b>	<b>5.29</b>	<b>10842</b>	<b>3177</b>	<b>2.15</b>	<b>7.35</b>	37.5	Xd		
MX21TGa	123B2714	20.72	1	CSR	208-230V 60 Hz	HMBP	Fan	6066	1778	<b>7022</b>	<b>2058</b>	<b>1.53</b>	<b>5.22</b>	<b>12010</b>	<b>3520</b>	<b>2.12</b>	<b>7.23</b>	38.8	Xd		
MS26TG	123B2524	25.93	1 3/8	CSR	230V 60 Hz	HMBP	Fan	7802	2286	<b>9144</b>	<b>2680</b>	<b>1.78</b>	<b>6.05</b>	<b>16056</b>	<b>4706</b>	<b>2.38</b>	<b>8.11</b>	41.0	Sd		
MS34TG	123B2711	34.42	1 5/8	CSR	230V 60 Hz	HMBP	Fan	10953	3210	<b>5662</b>	<b>1659</b>	<b>1.02</b>	<b>3.48</b>	<b>20952</b>	<b>6140</b>	<b>2.23</b>	<b>7.60</b>	50.7	Sd		
MS18T3	123B2520	18.10	7/8	3 ph	440V 60 Hz	HMBP	Fan	5079	1489	<b>5993</b>	<b>1756</b>	<b>1.64</b>	<b>5.59</b>	<b>10739</b>	<b>3147</b>	<b>2.26</b>	<b>7.70</b>	44.1	Sb		
MS22T3	123B2522	21.75	1	3 ph	440V 60 Hz	HMBP	Fan	6036	1769	<b>7172</b>	<b>2102</b>	<b>1.76</b>	<b>6.01</b>	<b>13030</b>	<b>3819</b>	<b>2.40</b>	<b>8.19</b>	44.1	Sc		
MS26T3	123B2525	25.93	1 3/8	3 ph	440V 60 Hz	HMBP	Fan	7802	2286	<b>9144</b>	<b>2680</b>	<b>1.72</b>	<b>5.82</b>	<b>16056</b>	<b>4706</b>	<b>2.26</b>	<b>7.70</b>	50.7	Sd		
MS34T3	123B2526	34.42	1 5/8	3 ph	440V 60 Hz	HMBP	Fan	10953	3210	<b>12659</b>	<b>3710</b>	<b>1.61</b>	<b>5.48</b>	<b>21157</b>	<b>6201</b>	<b>2.10</b>	<b>7.18</b>	50.3	Sd		

R290 LBP | LMBP

COMPRESSOR MODEL	DANFOSS CODE (a)	DISPLACEMENT	POWER	MOTOR TYPE	VOLTAGE FREQUENCY	APPLICATION	COMPRESSOR COOLING	REFRIGERATION CAPACITY								WEIGHT	DESIGN
								ASHRAE conditions Condensing temperature = 131°F (55°C)									
								-22°F (-30°C)		-10°F (-23.3°C)				+14°F (-10°C)			
										Cooling Capacity		COP					
								Btu/h	W	Btu/h	W	W/W	Btu/Wh	Btu/h	W		
NBC30NR	123B8311	3.00	1/8	RSIR	115-127V 60 Hz	LMBP	Fan	351	103	<b>522</b>	<b>153</b>	<b>1.32</b>	<b>4.51</b>	990	290	13.0	Be
NLY45LRa	123B3129	4.56	1/6	CSIR	115-127V 60 Hz	LBP	Fan	560	164	<b>800</b>	<b>234</b>	<b>1.35</b>	<b>4.60</b>	1540	451	22.7	Lc
NLY45LRb	123B3130	4.56	1/6	CSR	115-127V 60 Hz	LBP	Fan	560	164	<b>800</b>	<b>234</b>	<b>1.44</b>	<b>4.91</b>	1540	451	22.7	Lc
NUY45NRa	123B3170	4.50	1/6	CSIR	115-127V 60 Hz	LMBP	Fan	628	184	<b>829</b>	<b>243</b>	<b>1.5</b>	<b>5.12</b>	1221	358	20.1	Ub
NUY45NRb	123B3314	4.50	1/6	CSR	115-127V 60 Hz	LMBP	Fan	628	184	<b>841</b>	<b>246</b>	<b>1.6</b>	<b>5.46</b>	1221	358	20.1	Ub
NUT55LRa	123B3147	5.50	1/5	CSIR	115-127V 60 Hz	LBP	Fan	798	234	<b>1111</b>	<b>326</b>	<b>1.60</b>	<b>5.45</b>	1944	570	21.0	Ub
NUT55LRb	123B3148	5.50	1/5	CSR	115-127V 60 Hz	LBP	Fan	798	234	<b>1111</b>	<b>326</b>	<b>1.73</b>	<b>5.89</b>	1944	570	21.0	Ub
NUT55LRc	123B3155	5.50	1/5	CSIR	115-127V 60 Hz	LBP	Static	798	234	<b>1111</b>	<b>326</b>	<b>1.60</b>	<b>5.45</b>	1944	570	21.0	Ub
NUT55LRd	123B3156	5.50	1/5	CSR	115-127V 60 Hz	LBP	Static	798	234	<b>1111</b>	<b>326</b>	<b>1.73</b>	<b>5.89</b>	1944	570	21.0	Ub
NLY60LRa	123B3131	5.98	1/5	CSIR	115-127V 60 Hz	LBP	Fan	841	246	<b>1190</b>	<b>349</b>	<b>1.42</b>	<b>4.86</b>	2083	610	22.7	Lc
NLY60LRb	123B3132	5.98	1/5	CSR	115-127V 60 Hz	LBP	Fan	841	246	<b>1190</b>	<b>349</b>	<b>1.53</b>	<b>5.22</b>	2083	610	22.7	Lc
NUY60NRa	123B3312	6.00	1/3	CSIR	115-127V 60 Hz	LMBP	Fan	879	258	<b>1230</b>	<b>360</b>	<b>1.58</b>	<b>5.4</b>	2171	636	21.1	Ub
NUY60NRc	123B3313	6.00	1/3	CSIR	115-127V 60 Hz	LMBP	Static	879	258	<b>1230</b>	<b>360</b>	<b>1.58</b>	<b>5.4</b>	2171	636	21.1	Ub

Green Cooling models

(\*\*) Model under development

(a) Ordering code for single compressors. For pallet packed compressors, please use 123F instead of 123B

This table continues in the following page

# Danfoss Light Commercial Refrigeration Compressors

## R290 LBP | LMBP

COMPRESSOR MODEL	DANFOSS CODE (†)	DISPLACEMENT		MOTOR TYPE	VOLTAGE FREQUENCY	APPLICATION	COMPRESSOR COOLING	REFRIGERATION CAPACITY								WEIGHT	DESIGN
		ASHRAE conditions Condensing temperature = 131°F (55°C)															
		-22°F (-30°C)						-10°F (-23.3°C)			+14°F (-10°C)						
								Cooling Capacity		COP				EER			
		Btu/h	W					Btu/h	W	W/W	Btu/Wh	Btu/h	W	lbs			
✓ NUT60LRa	123B3149	6.00	1/3	CSIR	115-127V 60 Hz	LBP	Fan	899	263	1250	366	1.60	5.46	2170	636	20.7	Ub
✓ NUT60LRb	123B3150	6.00	1/3	CSR	115-127V 60 Hz	LBP	Fan	899	263	1250	366	1.73	5.90	2170	636	20.9	Ub
✓ NUT60LRc	123B3151	6.00	1/3	CSIR	115-127V 60 Hz	LBP	Static	899	263	1250	366	1.60	5.46	2170	636	20.7	Ub
✓ NUT60LRd	123B3152	6.00	1/3	CSR	115-127V 60 Hz	LBP	Static	899	263	1250	366	1.73	5.90	2170	636	20.9	Ub
✓ NLY75NRa	123B3301	7.57	1/3	CSIR	115-127V 60 Hz	LMBP	Fan	999	293	1389	407	1.34	4.57	2411	707	20.9	Lc
✓ NLY75NRb	123B3302	7.57	1/3	CSR	115-127V 60 Hz	LMBP	Fan	999	293	1389	407	1.46	4.98	2411	707	20.9	Lc
✓ NLY80LRa	123B3133	8.10	1/4	CSIR	115-127V 60 Hz	LBP	Fan	1040	305	1393	408	1.28	4.36	2659	779	24.0	Lc
✓ NLY80LRb	123B3134	8.10	1/4	CSR	115-127V 60 Hz	LBP	Fan	1040	305	1393	408	1.35	4.60	2659	779	24.0	Lc
✓ NLY90NRa	123B3309	9.09	1/3	CSIR	115-127V 60 Hz	LMP	Fan	1176	345	1663	487	1.37	4.68	2962	868	24.7	Ld
✓ NLY90NRb	123B3310	9.09	1/3	CSR	115-127V 60 Hz	LMP	Fan	1176	345	1663	487	1.45	4.95	2962	868	24.7	Ld
✓ NLY12NRa	123B3303	10.70	1/3	CSIR	115-127V 60 Hz	LMBP	Fan	1540	452	2063	605	1.40	4.78	3937	1155	23.8	Ld
✓ NLY12NRb	123B3304	10.70	1/3	CSR	115-127V 60 Hz	LMBP	Fan	1540	452	2063	605	1.50	5.12	3937	1155	23.8	Ld
✓ NPY12LRa	123B3137	12.10	3/8	CSIR	115-127V 60 Hz	LBP	Fan	1579	463	2115	620	1.28	4.36	4036	1183	27.1	Pd
✓ NPY12LRb	123B3138	12.10	3/8	CSR	115-127V 60 Hz	LBP	Fan	1579	463	2115	620	1.41	4.81	4036	1183	27.1	Pd
✓ NPT16LR	123B3165	16.15	1/2	CSR	115-127V 60 Hz	LBP	Fan	2074	608	2924	857	1.42	4.84	5266	1543	28.0	Pd
✓ NLY75NGa	123B3307	7.57	1/3	CSIR	208-230V 60Hz	LMBP	Fan	814	239	1210	355	1.3	4.43	2263	663	22.0	Ld
✓ NLY75NGb	123B3308	7.57	1/3	CSR	208-230V 60Hz	LMBP	Fan	814	239	1210	355	1.4	4.78	2263	663	22.0	Ld
✓ NLY12NGa	123B3305	10.70	1/3	CSIR	220-230V 60Hz	LMBP	Fan	1416	415	1984	581	1.35	4.61	3550	1040	24.7	Ld
✓ NLY12NGb	123B3306	10.70	1/3	CSR	220-230V 60Hz	LMBP	Fan	1416	415	1984	581	1.45	4.95	3550	1040	24.7	Ld
✓ NPY14LFa	123B3139	14.32	1/2	CSIR	208-230V 60Hz	LBP	Fan	2080	610	2786	816	1.83	6.24	5316	1558	27.1	Pd
✓ NPY14LFb	123B3140	14.32	1/2	CSR	208-230V 60Hz	LBP	Fan	2080	610	2786	816	2.01	6.86	5316	1558	27.1	Pd

## R290 HBP | HMBP

COMPRESSOR MODEL	DANFOSS CODE (†)	DISPLACEMENT		MOTOR TYPE	VOLTAGE FREQUENCY	APPLICATION	COMPRESSOR COOLING	REFRIGERATION CAPACITY								WEIGHT	DESIGN		
		ASHRAE conditions Condensing temperature = 131°F (55°C)																	
		+14°F (-10°C)						+20°F (-6.7°C)			+45°F (+7.2°C)								
								Cooling Capacity		COP				EER	Cooling Capacity			COP	EER
		Btu/h	W					Btu/h	W	W/W	Btu/Wh	Btu/h	W	W/W	Btu/Wh			lbs	
NLY45RRa	123B3516	4.56	1/6	CSIR	115-127V 60 Hz	HMBP	Fan	1317	386	1509	442	1.79	6.11	2511	736	2.41	8.22	23.2	Lc
✓ NLY45RRb	123B3517	4.56	1/6	CSR	115-127V 60 Hz	HMBP	Fan	1317	386	1509	442	1.93	6.59	2511	736	2.61	8.91	23.2	Lc
✓ NLY60RRa	123B3518	5.98	1/5	CSIR	115-127V 60 Hz	HMBP	Fan	1790	525	2043	599	1.88	6.40	3353	983	2.43	8.29	23.8	Lc
✓ NLY60RRb	123B3519	5.98	1/5	CSR	115-127V 60 Hz	HMBP	Fan	1790	525	2043	599	2.02	6.90	3353	983	2.65	9.04	23.8	Lc
✓ NLY75RRa	123B3520	7.57	1/4	CSIR	115-127V 60 Hz	HMBP	Fan	2147	629	2420	709	1.77	6.03	4214	1235	2.50	8.53	22.1	Ld
✓ NLY75RRb	123B3521	7.57	1/4	CSR	115-127V 60 Hz	HMBP	Fan	2147	629	2478	726	1.95	6.66	4214	1235	2.77	9.45	22.1	Ld
✓ NLY80RRa	123B3522	8.10	1/4	CSIR	115-127V 60 Hz	HMBP	Fan	2325	682	2668	782	1.86	6.34	4464	1308	2.45	8.36	24.5	Ld
✓ NLY80RRb	123B3523	8.10	1/4	CSR	115-127V 60 Hz	HMBP	Fan	2325	682	2668	782	2.02	6.89	4464	1308	2.67	9.11	24.5	Ld
✓ NLY90RRa	123B3524	9.09	1/3	CSIR	115-127V 60 Hz	HMBP	Fan	2623	769	3022	886	1.78	6.08	5036	1476	2.56	8.74	25.1	Ld
✓ NLY90RRb	123B3525	9.09	1/3	CSR	115-127V 60 Hz	HMBP	Fan	2623	769	3022	886	1.92	6.56	5036	1476	2.76	9.42	25.1	Ld
✓ NLT12RR	123B3533	10.70	1/2	CSR	115-127V 60 Hz	HMBP	Fan	3238	949	3706	1086	1.84	6.32	6087	1784	2.51	8.55	26.2	Ld
✓ NLY12RGa	123B3531	10.70	1/2	CSIR	220-230V 60Hz	HMBP	Fan	3079	902	3515	1030	1.77	6.04	5770	1691	2.3	7.85	24.5	Ld
✓ NLY12RGB	123B3532	10.70	1/2	CSR	220-230V 60Hz	HMBP	Fan	3110	911	3557	1042	1.89	6.45	5870	1720	2.56	8.74	24.5	Ld

Green Cooling Models

(†) Ordering code for single compressors. For pallet packed compressors, please use 123F instead of 123B

## Danfoss Light Commercial Refrigeration Compressors

### R22 HBP | HMBP

COMPRESSOR MODEL	DANFOSS CODE (α)	DISPLACEMENT		MOTOR TYPE	VOLTAGE FREQUENCY	APPLICATION	COMPRESSOR COOLING	REFRIGERATION CAPACITY												WEIGHT	DESIGN
		ASHRAE conditions Condensing temperature = 131°F (55°C)																			
								+20°F (-6.7°C)						+45°F (+7.2°C)							
								+14°F (-10°C)			Cooling Capacity			COP			EER				
		cm <sup>3</sup>	hp					Btu/h	W	W/W	Btu/Wh	Btu/h	W	W/W	Btu/Wh	Btu/h	W	W/W	Btu/Wh		
L76TN	123B5517	7.57	3/8	CSIR	115-127V 60 Hz	HMBP	Fan	1952	572	<b>4000</b>	<b>1172</b>	<b>2.02</b>	<b>6.89</b>	<b>4002</b>	<b>1173</b>	<b>2.02</b>	<b>6.91</b>	22.5	Ld		
L88TN	123B5518	8.86	3/8	CSIR	115-127V 60 Hz	HMBP	Fan	2333	684	<b>4666</b>	<b>1367</b>	<b>1.9</b>	<b>6.48</b>	<b>4668</b>	<b>1368</b>	<b>1.90</b>	<b>6.48</b>	23.4	Ld		
P12TN	123B5519	12.05	1/2	CSR	115-127V 60 Hz	HBP	Fan	3048	893	<b>6301</b>	<b>1847</b>	<b>2.23</b>	<b>7.61</b>	<b>6305</b>	<b>1848</b>	<b>2.20</b>	<b>7.51</b>	27.1	Pd		
L40TN	123B5522	4.05	1/6	CSIR	230V 60 Hz	HMBP	Fan	1074	315	<b>1430</b>	<b>419</b>	<b>1.84</b>	<b>6.27</b>	<b>2191</b>	<b>642</b>	<b>1.89</b>	<b>6.44</b>	20.9	Lc		
L45TN	123B5502	4.50	1/5	CSIR	230V 60 Hz	HMBP	Fan	1214	356	<b>2476</b>	<b>726</b>	<b>1.91</b>	<b>6.52</b>	<b>2477</b>	<b>726</b>	<b>1.91</b>	<b>6.52</b>	20.9	Lc		
L57TN	123B5503	5.68	1/5	CSIR	230V 60 Hz	HMBP	Fan	1470	431	<b>2476</b>	<b>726</b>	<b>1.91</b>	<b>6.52</b>	<b>2999</b>	<b>879</b>	<b>1.91</b>	<b>6.53</b>	20.9	Lc		
L76TN	123B5507	7.57	3/8	CSIR	230V 60 Hz	HMBP	Fan	1952	572	<b>4000</b>	<b>1172</b>	<b>2.02</b>	<b>6.89</b>	<b>4002</b>	<b>1173</b>	<b>2.02</b>	<b>6.91</b>	22.1	Ld		
L88TN	123B5509	8.86	3/8	CSIR	230V 60 Hz	HMBP	Fan	2333	684	<b>4666</b>	<b>1367</b>	<b>1.9</b>	<b>6.48</b>	<b>4668</b>	<b>1368</b>	<b>1.90</b>	<b>6.49</b>	23.4	Ld		
P12TN	123B5520	12.05	1/2	CSR	230V 60 Hz	HMBP	Fan	3048	893	<b>6301</b>	<b>1847</b>	<b>2.2</b>	<b>7.51</b>	<b>6305</b>	<b>1848</b>	<b>2.23</b>	<b>7.60</b>	26.5	Pd		
X16TNa	123B5713	16.03	5/8	CSR	230V 60 Hz	HBP	Fan	4294	1258	<b>8246</b>	<b>2417</b>	<b>2.25</b>	<b>7.68</b>	<b>8250</b>	<b>2418</b>	<b>2.25</b>	<b>7.67</b>	39.2	Xd		
X18TNa	123B5714	18.40	3/4	CSR	230V 60 Hz	HBP	Fan	4992	1463	<b>9603</b>	<b>2814</b>	<b>2.41</b>	<b>8.22</b>	<b>9607</b>	<b>2816</b>	<b>2.41</b>	<b>8.21</b>	39.2	Xd		
S18TN	123B5514	18.10	3/4	CSR	230V 60 Hz	HMBP	Fan	4607	1350	<b>9761</b>	<b>2861</b>	<b>2.29</b>	<b>7.81</b>	<b>9769</b>	<b>2863</b>	<b>2.29</b>	<b>7.81</b>	48.1	Sc		
S26TN	123B5521	25.93	1	CSR	230V 60 Hz	HMBP	Fan	6905	2024	<b>14523</b>	<b>4256</b>	<b>2.36</b>	<b>8.05</b>	<b>14534</b>	<b>4259</b>	<b>2.36</b>	<b>8.06</b>	50.0	Sd		

(α) Ordering code for single compressors. For pallet packed compressors, please use 123F instead of 123B

	Conditions		
	ASHRAE		
	LBP	MBP	HBP

Evaporating temperature °C / °F	-23.3 / -10	-6.7 / 20	7.2 / 45
Condensing temperature °C / °F	55 / 131	55 / 131	55 / 131
Liquid temperature °C / °F	32 / 90	46 / 115	46 / 115
Suction temperature °C / °F	32 / 90	35 / 95	35 / 95
Ambient temperature °C / °F	32 / 90	35 / 90	35 / 95

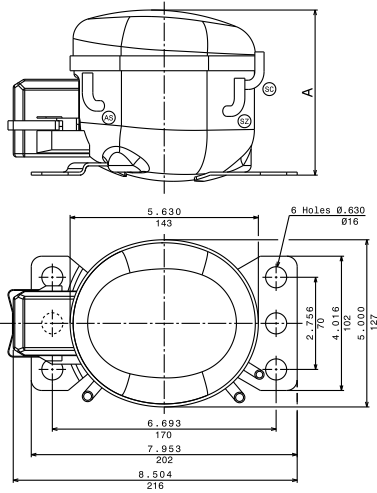


# Technical Information



# Compressor Dimensional Drawings

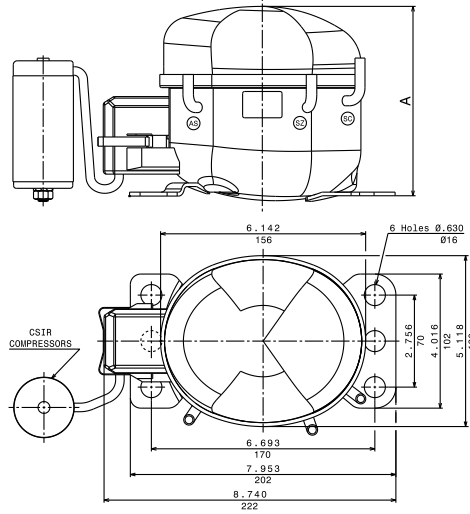
## Small L range



	A	
Lb	4.941	in
	125.5	mm
Lc	5.079	in
	129	mm
Ld	5.433	in
	138	mm
Le	5.551	in
	141	mm

LEGEND	
AS	Suction/Service
SC	Discharge
SZ	Service/Suction

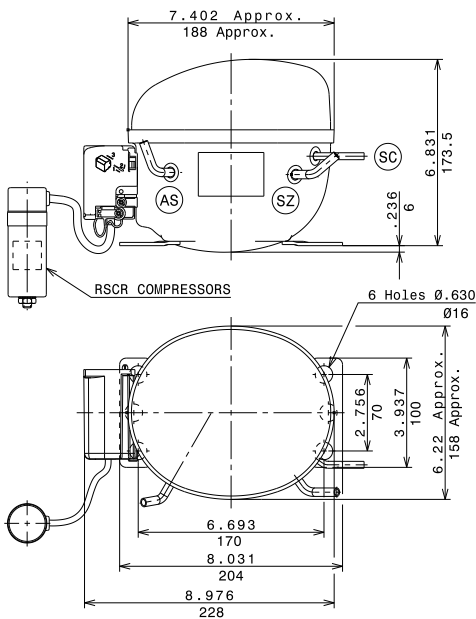
## B range



	A	
Bb	5.551	in
	141	mm
Bc	5.709	in
	145	mm
Bd	6.024	in
	153	mm
Be	6.260	in
	159	mm

LEGEND	
AS	Suction/Service
SC	Discharge
SZ	Service/Suction

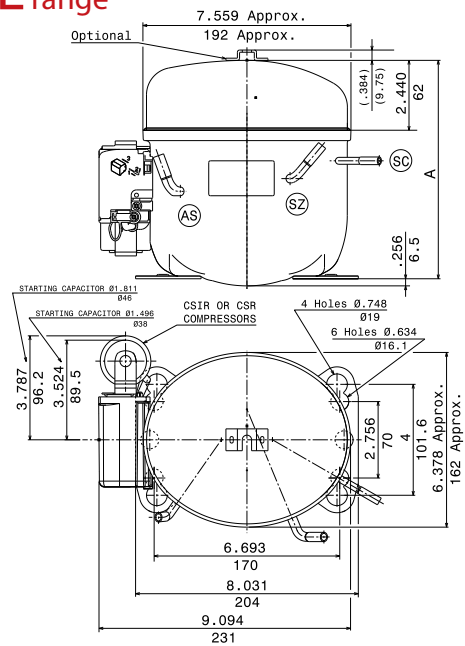
## U range



	A	
Ub	6.831	in
	173.5	mm
Uc	69.488	in
	176.5	mm

LEGEND	
AS	Suction/Service
SC	Discharge
SZ	Service/Suction

## L range

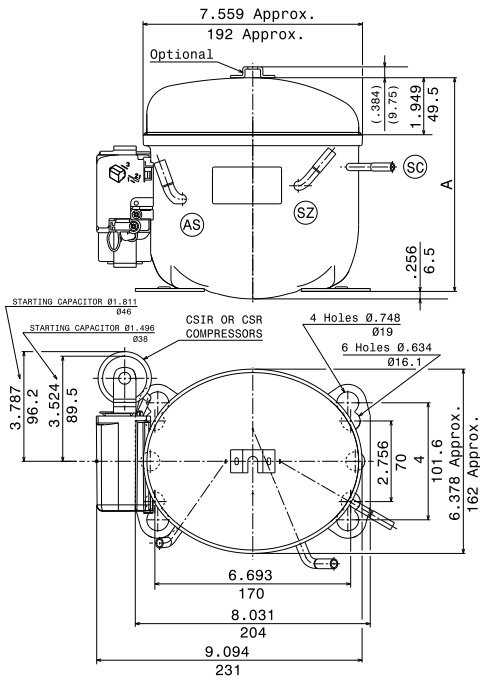


	A	
Lb	6.890	in
	175	mm
Lc	7.307	in
	185.600	mm
Ld	7.795	in
	198	mm

LEGEND	
AS	Suction/Service
SC	Discharge
SZ	Service/Suction

Dimensions =  $\frac{\text{inches}}{\text{millimeters}}$

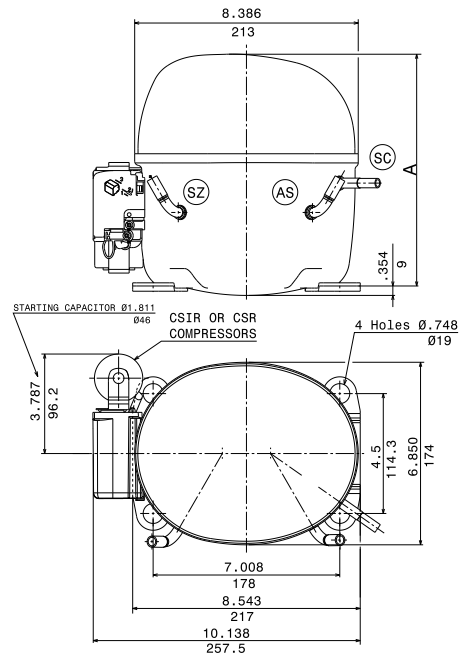
## P range



	A		
Pc	7.799	in	
	198.1	mm	
Pd	8.287	in	
	210.5	mm	

LEGEND	
AS	Suction/Service
SC	Discharge
SZ	Service/Suction

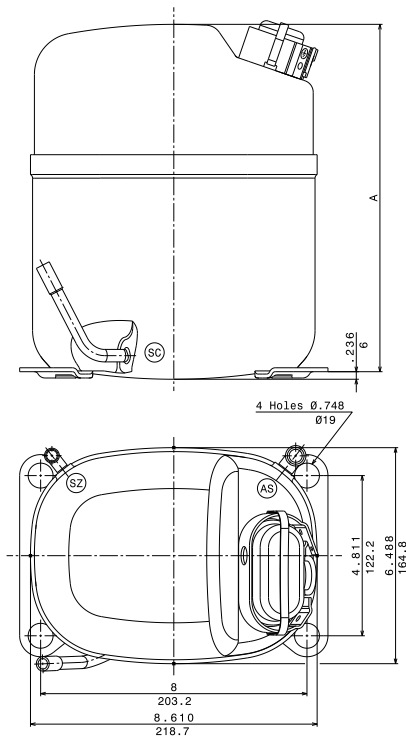
## X range



	A		
Xc	8.465	in	
	215	mm	
Xd	8.701	in	
	221	mm	

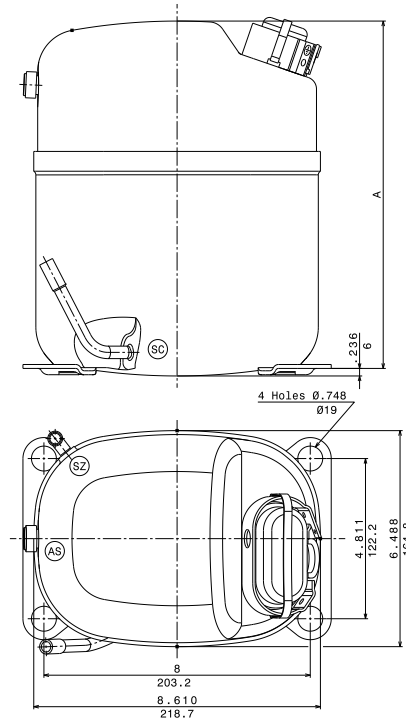
LEGEND	
AS	Suction/Service
SC	Discharge
SZ	Service/Suction

## S range (Tube)



Dimensions =  $\frac{\text{inches}}{\text{millimeters}}$

## S range (Valve)



	A		
Sb	9.921	in	
	252	mm	
Sc	10.433	in	
	265	mm	
Sd	10.866	in	
	276	mm	

LEGEND	
AS	Suction/Service
SC	Discharge
SZ	Service/Suction

# Packaging

## Single Pack

Range	Box dimensions						Pallet dimensions				
	Length		Width		Height		Length		Width		
	(mm)	(inch)	(mm)	(inch)	(mm)	(inch)	(mm)	(inch)	(mm)	(inch)	
Compressors	Small L	257	10.12	172	6.77	141/151	5.55/5.94	1010	39.76	1010	39.76
	B	257	10.12	172	6.77	151/166	5.94/6.54	1010	39.76	1010	39.76
	U	300	11.81	192	7.56	167/185	6.57/7.28	1200	47.24	1050	41.34
	L & P	300	11.81	192	7.56	167/185/198/214	6.57/7.28/7.80/8.43	1200	47.24	1050	41.34
	X & P (w/ connecting box)	320	12.60	192	7.56	222	8.74	1050	41.34	1050	41.34
	X	347	13.66	207	8.15	230	9.06	1050	41.34	1050	41.34
	S	282	11.10	215	8.46	363	14.29	1010	39.76	1010	39.76

## Industrial Pack

Range	Tray dimensions				Pallet dimensions				
	Length		Width		Length		Width		
	(mm)	(inch)	(mm)	(inch)	(mm)	(inch)	(mm)	(inch)	
Compressors	Small L	1100	43.31	815	32.09	1135	44.69	830	32.68
	B	1101	43.35	816	32.13	1136	44.72	831	32.72
	U (TIR)	1120	44.09	810	31.89	1200	47.24	800	31.50
	U (Container)	1120	44.09	810	31.89	1120	44.09	800	31.50
	L & P	1060	41.73	990	38.98	1050	41.34	1050	41.34
	X	1050	41.34	1020	40.16	1050	41.34	1050	41.34
	S	1050	41.34	1050	41.34	1050	41.34	1050	41.34

## Quantities per Pallet

Range	Industrial Pack			Single Pack		
	Qty / Level	N° Levels	Qty / Pallet	Qty / Level	No. Levels	Qty / Pallet
Small L	25	6	150	24	5	120
B	25	5	125	24	5	120
U	18	5	90	20	5	100
L	24	5	120	20	5	100
P	24	5	120	20	5	100
X	17	4	68	16	4	64
X w/ connecting Box	17	4	68	15	4	60
S	24	2	48	16	3	48

# Fixings

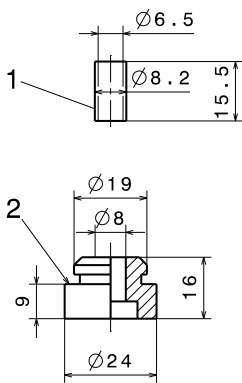
Fixings allow the manufacturer of appliances to fix the compressor to the appliance base, connecting it to the cooling system.

## Mounting feet

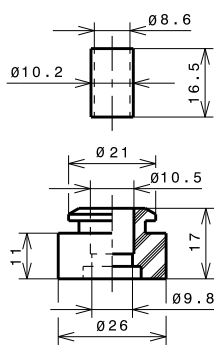
Range	Mounting feet
<b>Small L &amp; B</b>	European type. Set of 4 holes of 16mm DIA with inter-axes: 70x170mm
<b>U / L / P</b>	American type Two sets of 4 holes: 1.- Set of 16 mm DIA with inter-axes: 70 x 170 mm 2.- Set of ¾ inch (19 mm) DIA with inter-axes: 4 x 6 1/2 inch (101.6 x 165 mm)
<b>X</b>	One set of 4 holes of 19 mm (¾ inch) DIA with inter-axes: 114.3 x 178 mm (4 1/2 x 7 inch)
<b>S</b>	One set of 4 holes of 19 mm (¾ inch) DIA with inter-axes: 122.2 x 200.2 mm (4 13/16 x 7 7/8 inch)

## Silent Blocks

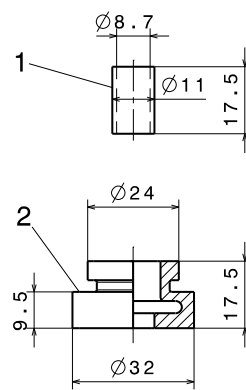
**STANDARD**  
D.16 holds net (170x70)



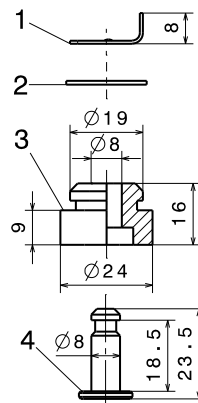
**STANDARD Small L & B**  
D.16 hold net (170x70)



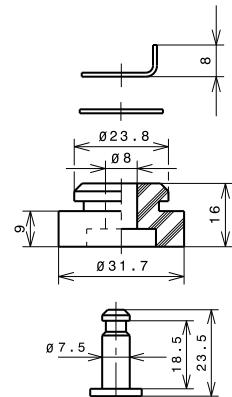
**AMERICAN FEET**  
D.19 holds net (165x101.6)



**SNAP-ON**  
D.16 holds net (170x70)



**AMERICAN SNAP-ON**  
D. 19 holds net (165x101.6)



1. Mounting sleeve 2. Silent Block



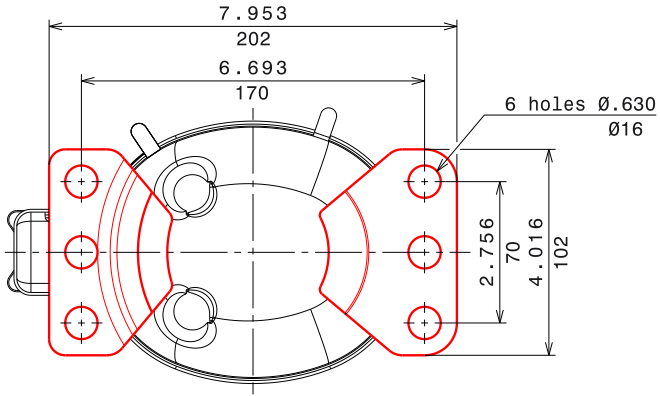
1. Clip 2. Washer 3. Silent Block 4. Axis



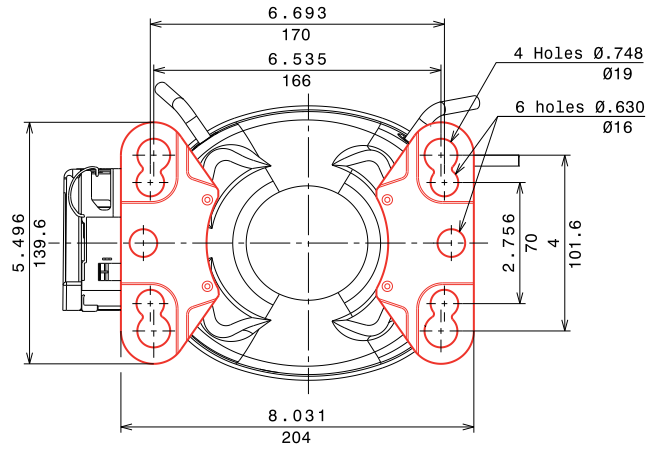
Dimensions =  $\frac{\text{inches}}{\text{millimeters}}$

# Danfoss Light Commercial Refrigeration Compressors

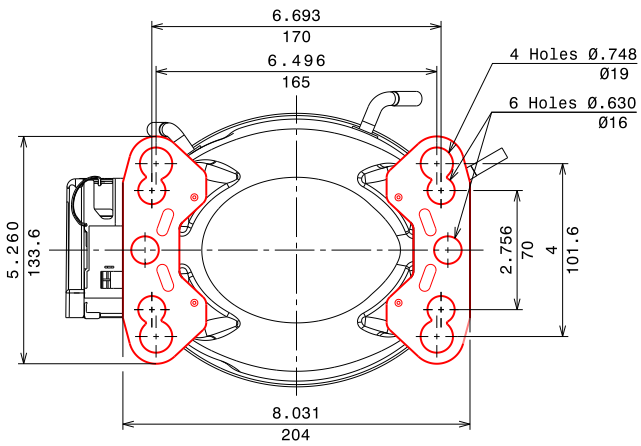
## Small L & B Range



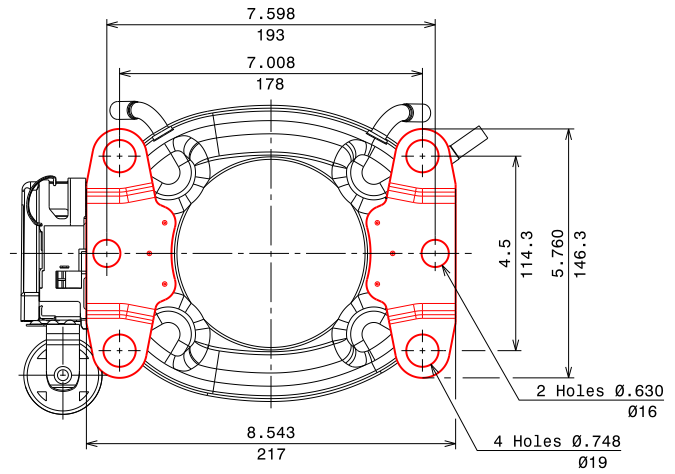
## U Range



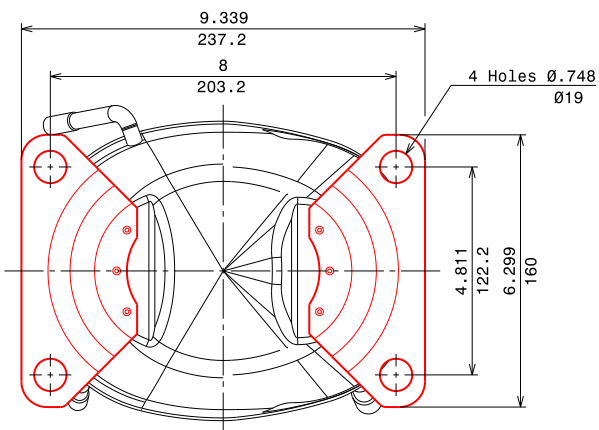
## L/P Range



## X Range



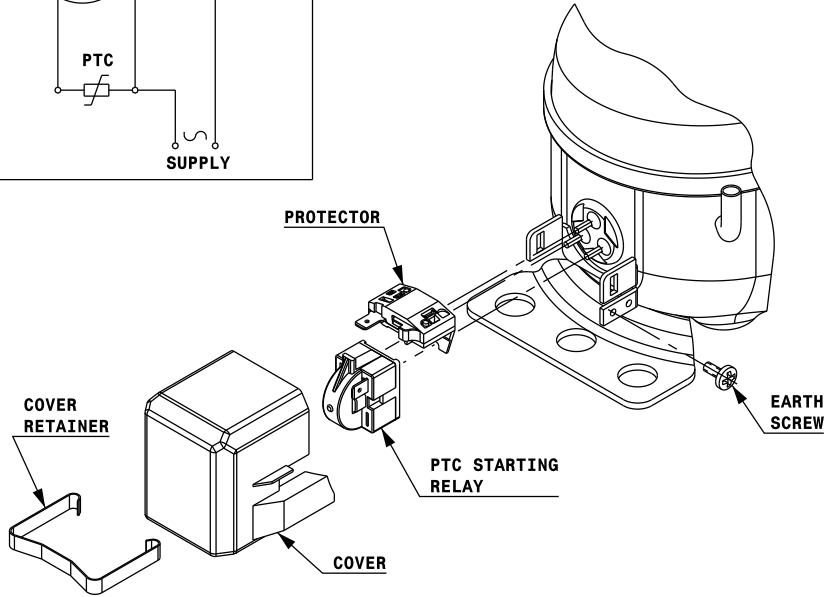
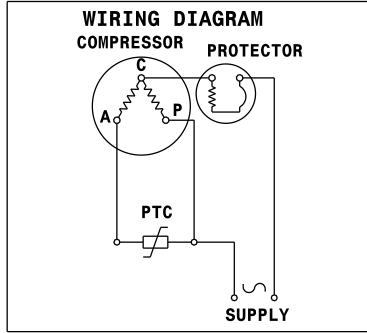
## S Range



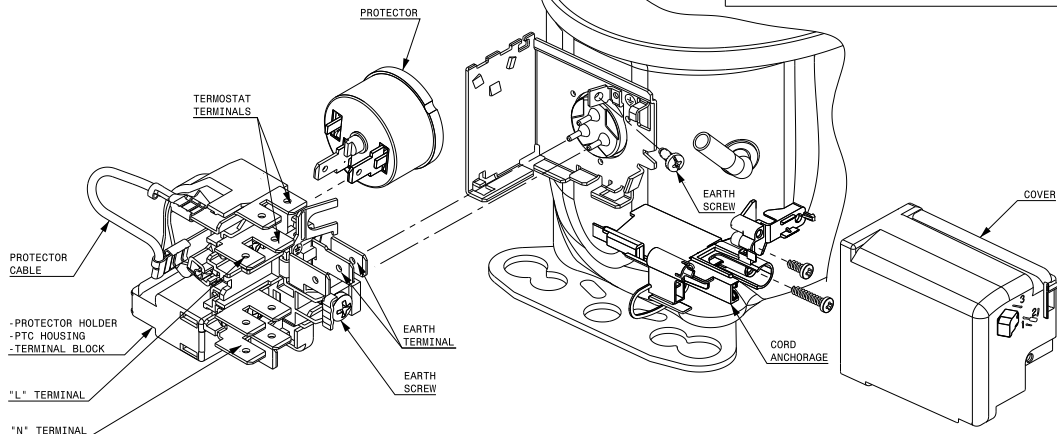
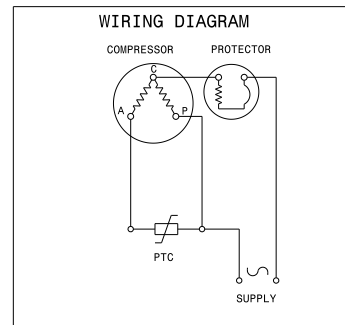
Dimensions =  $\frac{\text{inches}}{\text{millimeters}}$

# Wiring Diagrams and Electrical Assembly

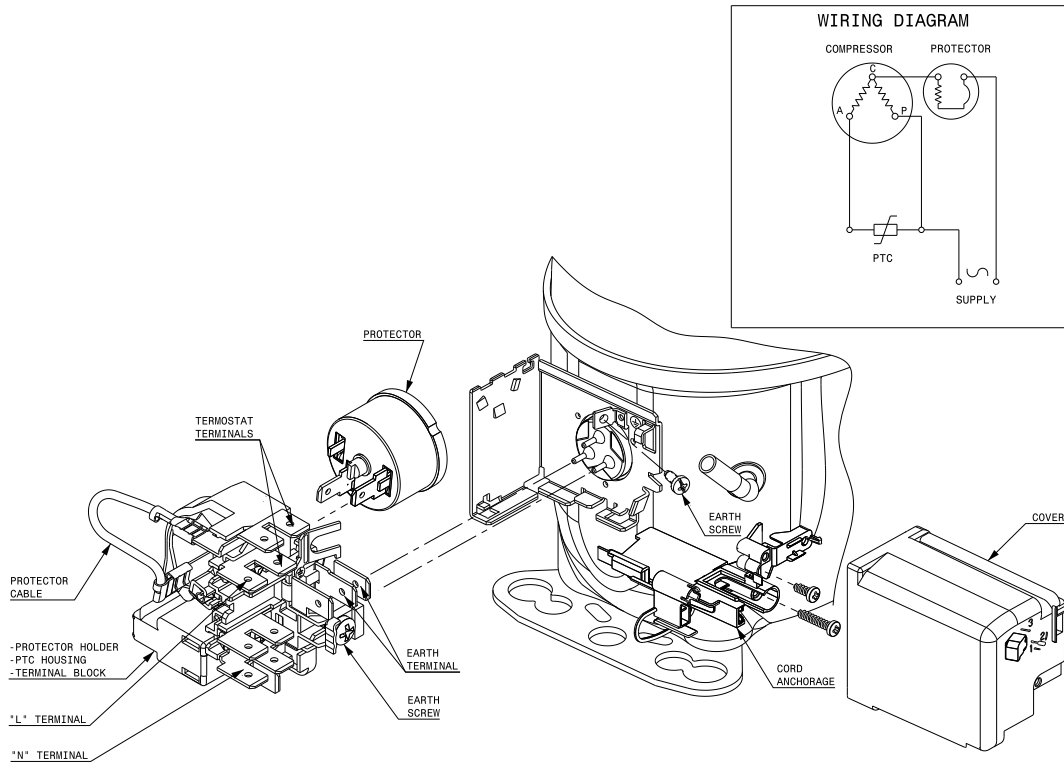
## RSIR CONNECTION (PTC) Small L & B



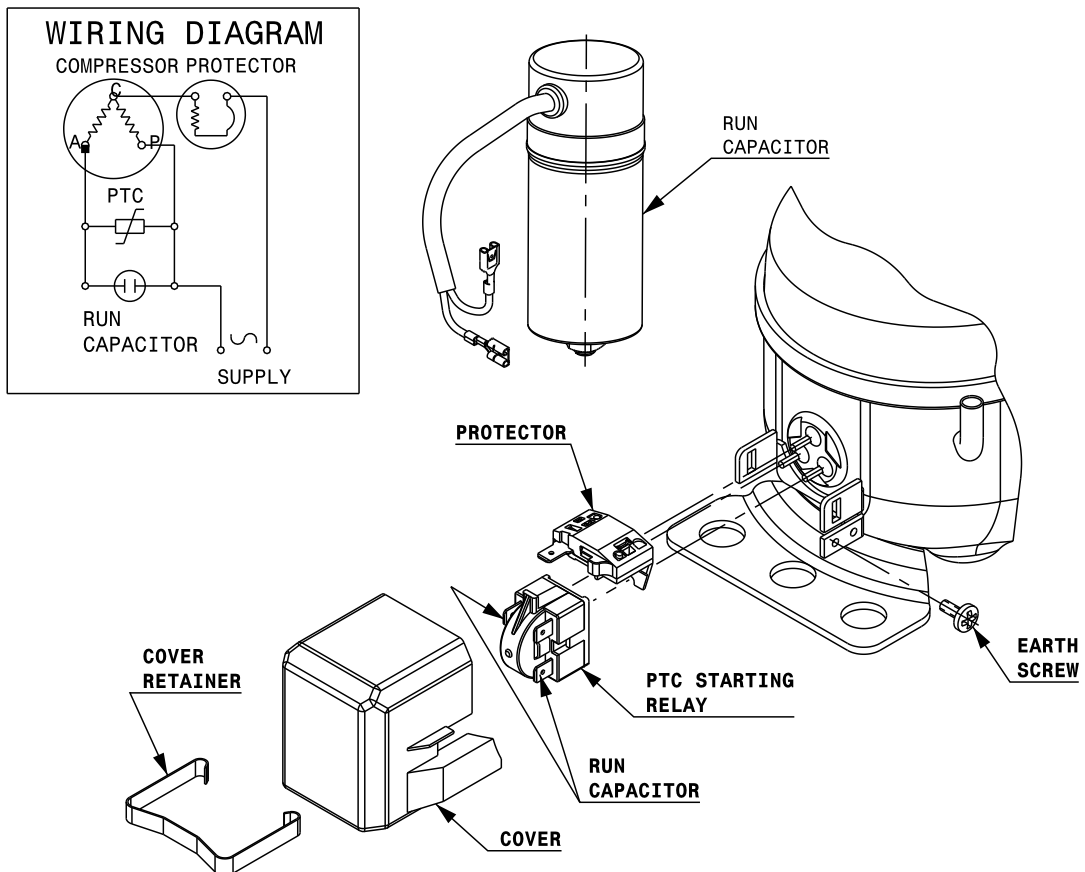
## RSIR CONNECTION (PTC)



**RSIR CONNECTION (RELAY)**

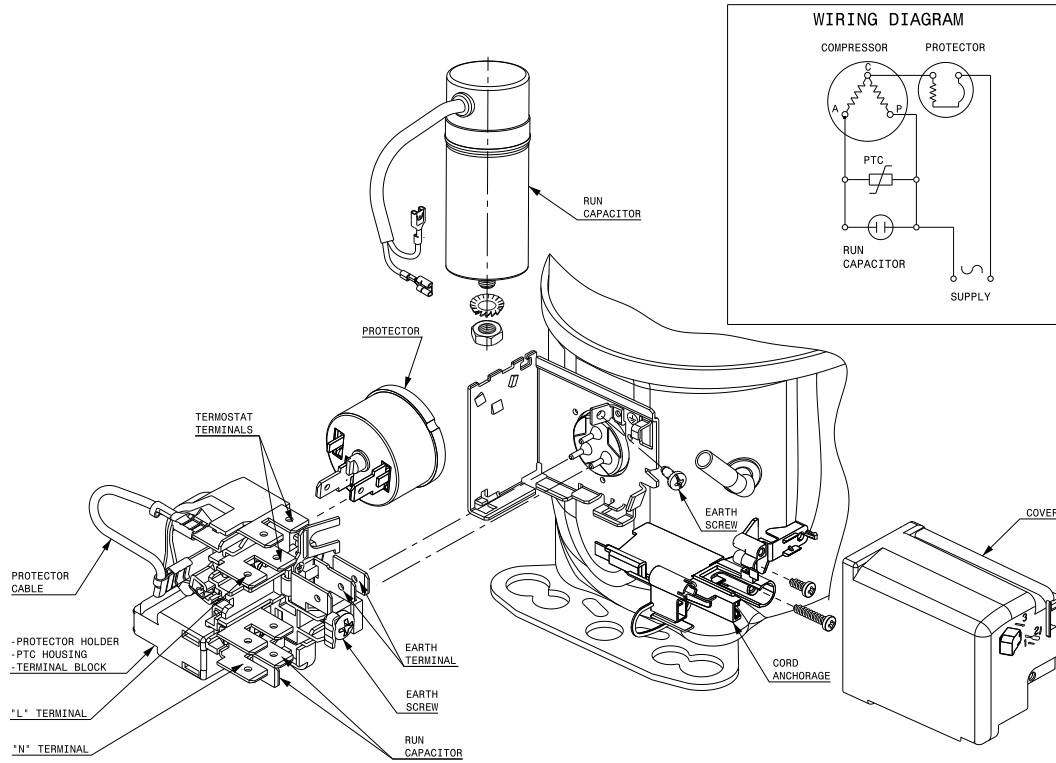


**RSCR CONNECTION (PTC) Small L & B**

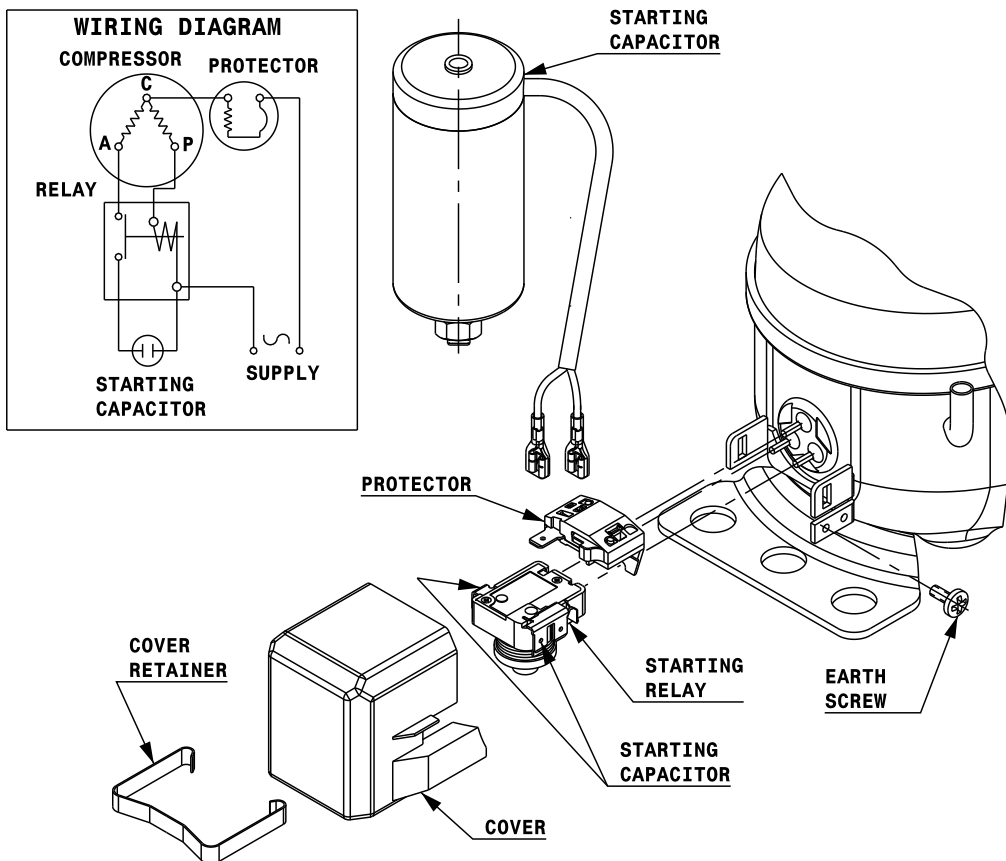




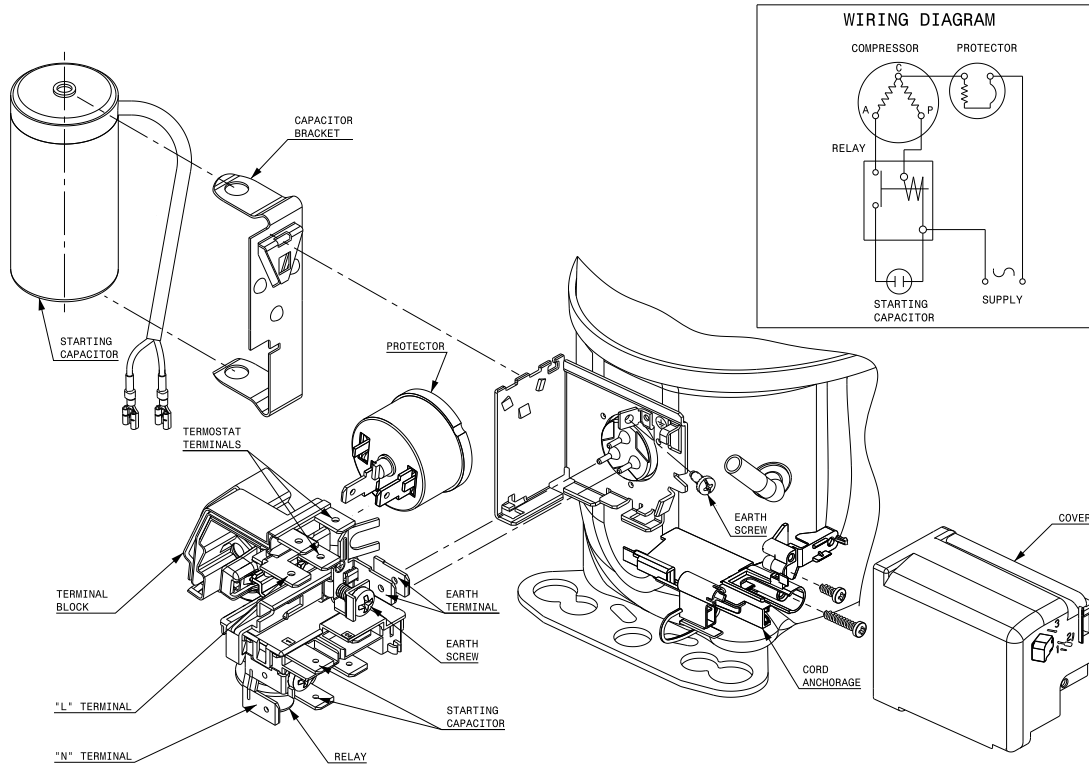
**RSCR CONNECTION**



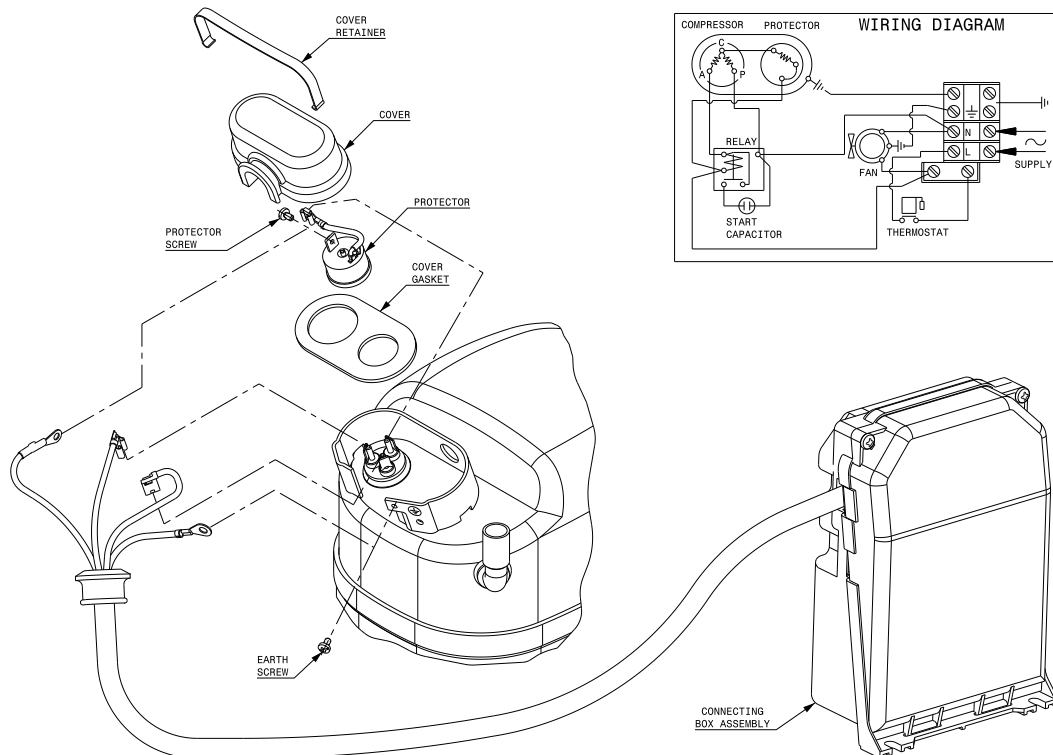
**CSIR CONNECTION Small L & B**



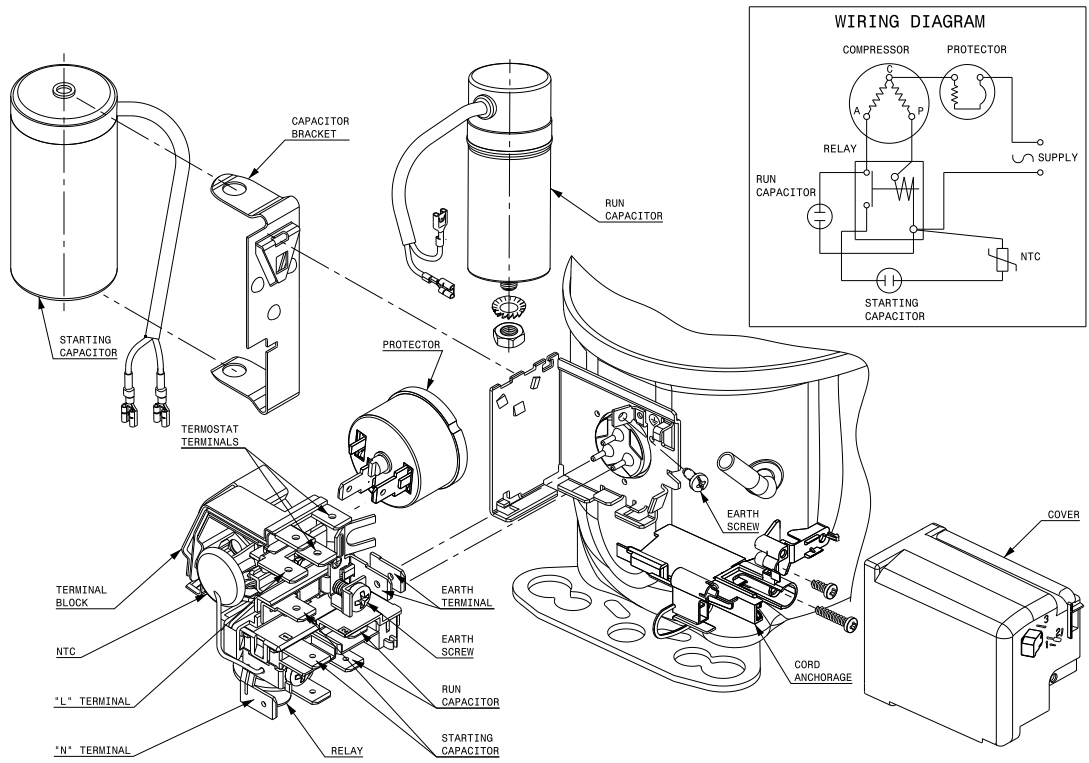
**CSIR CONNECTION**



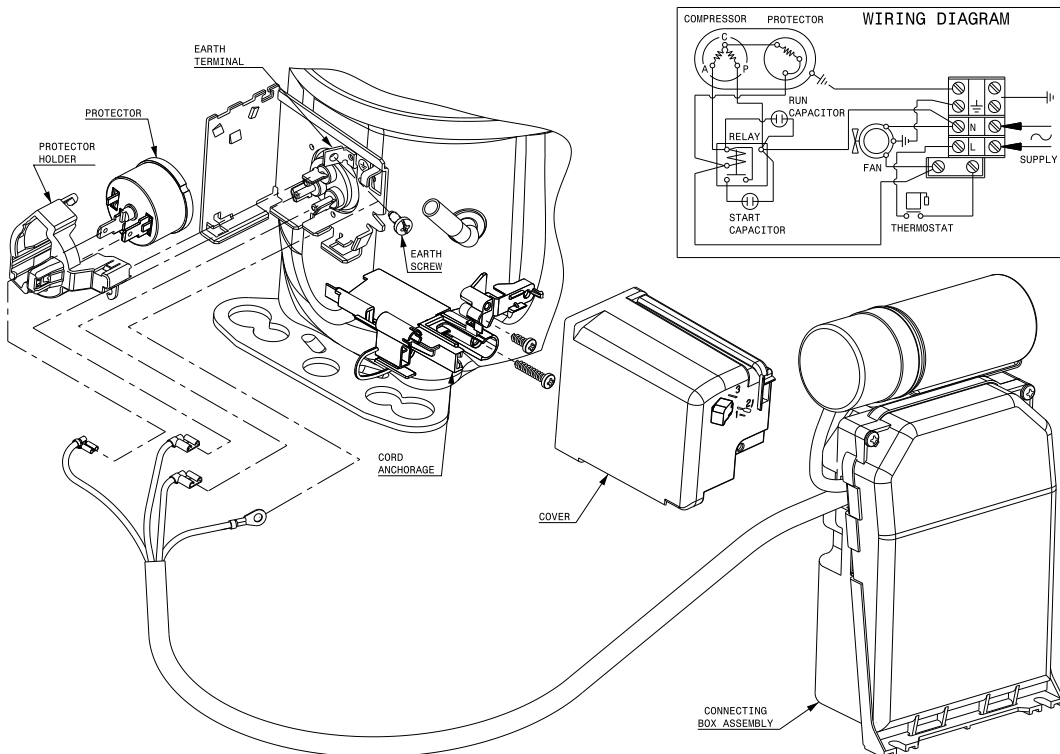
**CSIR CONNECTION (EXTERNAL CONNECTING BOX) (S range)**



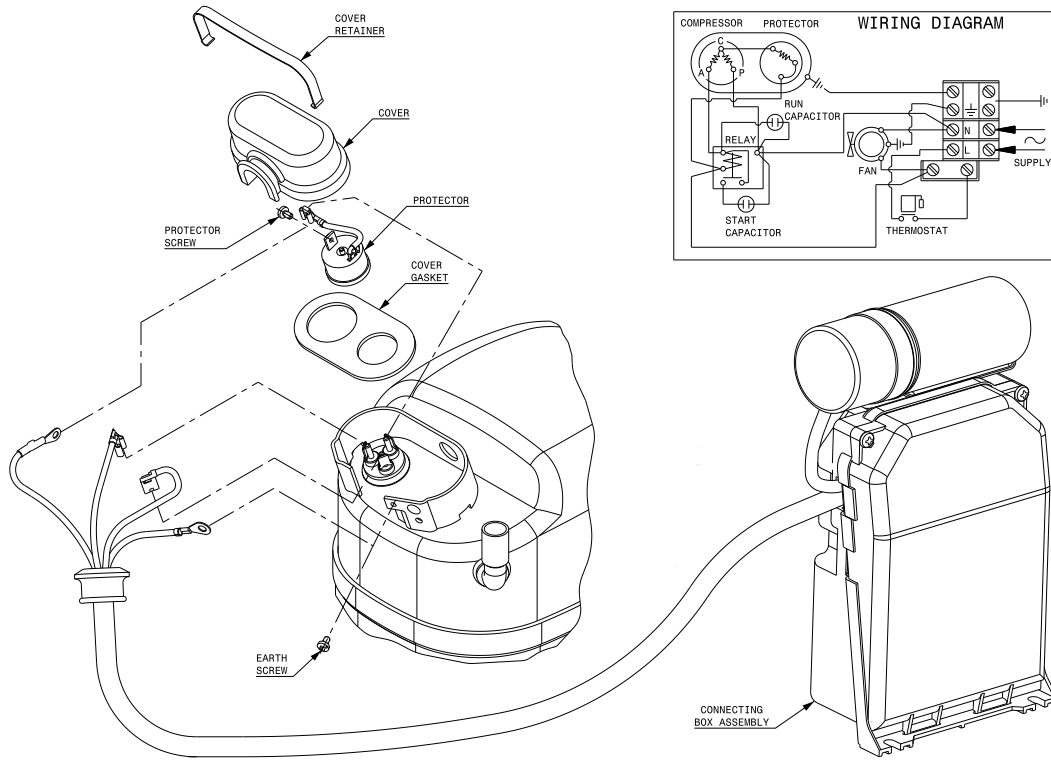
**CSR CONNECTION (CURRENT RELAY + NTC)**



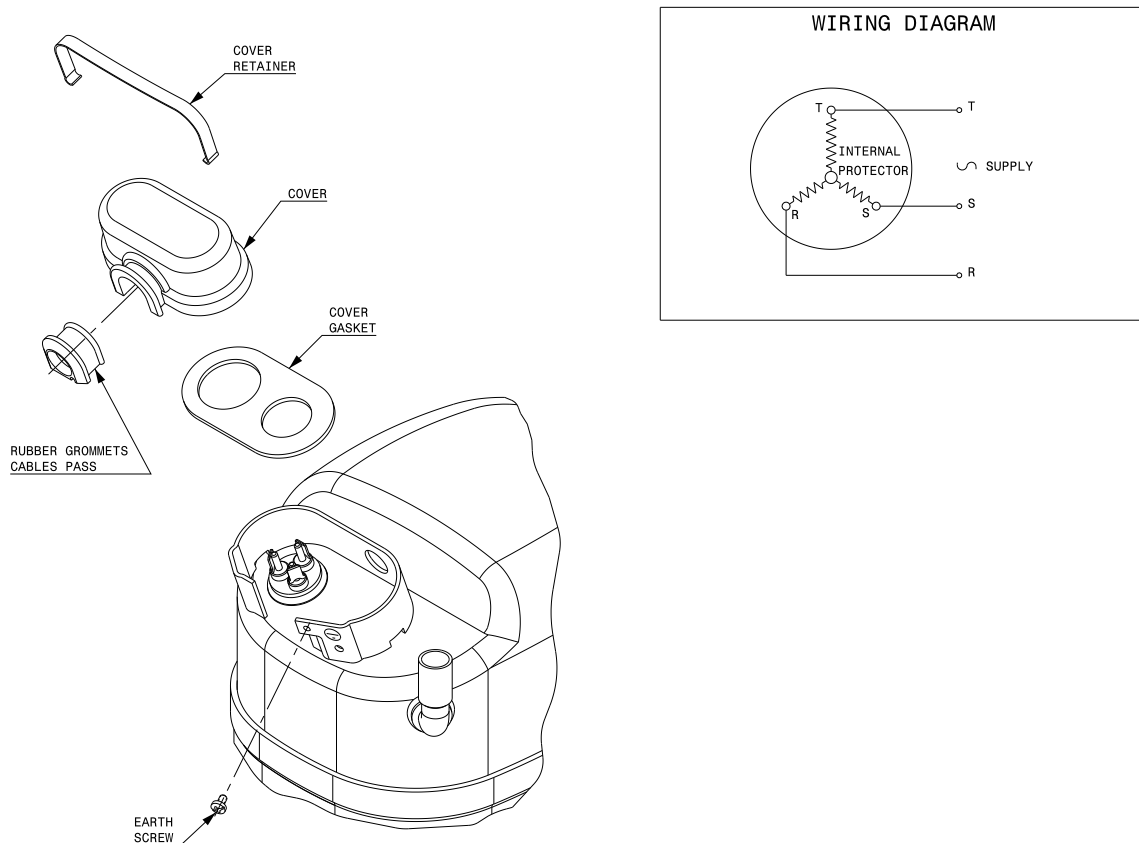
**CSR CONNECTION (EXTERNAL CONNECTING BOX) (X range)**



**CSR CONNECTION (EXTERNAL CONNECTING BOX) (S range)**



**3PH CONNECTION (S range)**



# Applications



### Glass door merchandiser



	R134a	R290
3 - 5 ft <sup>3</sup>	GL60ADb	NBC30NR
7 - 10 ft <sup>3</sup>	GUY60NR	NUY45LR
14 - 17 ft <sup>3</sup>	GUY80NR	NUY55NR
17 - 21 ft <sup>3</sup>	GPY12RD	NLY80NR
21 - 26 ft <sup>3</sup>	GPY14ND	NUY90NR
26 - 30 ft <sup>3</sup>	GPY16RD	NLT12RR
30 - 44 ft <sup>3</sup>	GX18TG	-

PARAMETERS	
Evaporating temperature	14°F
Internal temperature	32 a 43°F
Application	MBP / LST

### Open chest display cabinet



	R134a	R290
40 inch	GLY12RR	NUY70NR
80 inch	GPY12RD	NUY80NR
120 inch	GPY16RD	NLT12RR
160 inch	GX23TG	-

PARAMETERS	
Evaporating temperature	14°F
Internal temperature	32 a 43°F
Application	MBP / LST

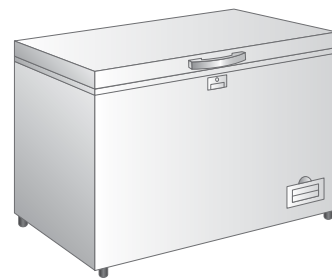
### Open display mini refrigerator



	R134a	R290
3 - 5 ft <sup>3</sup>	GL60ADb	NBC30NR
5 - 7 ft <sup>3</sup>	GUY70NR	NUY45LR

PARAMETERS	
Evaporating temperature	14°F
Internal temperature	23°F
Application	MBP / LST

### Chest freezer



	R134a	R404A	R290
6 - 10 ft <sup>3</sup>	GUY60NR	ML45FR	NUY45LR
10 - 12 ft <sup>3</sup>	GUY80NR	MLY45LR	NUY45LR
12 - 15 ft <sup>3</sup>	GLY12NR	ML60FR	NUY55NR
15 - 18 ft <sup>3</sup>	GPY14ND	ML80FR	NUY80NR

PARAMETERS	
Evaporating temperature	-22°F
Internal temperature	0°F
Application	LBP / LST

### Vending machine



	R134a	R290
12 ft <sup>3</sup>	GPY12RD	NUY80NR
15 ft <sup>3</sup>	GPY14RD	NLT12RR
24 ft <sup>3</sup>	GPY16RD	-

PARAMETERS	
Evaporating temperature	14°F
Internal temperature	41°F
Application	HMBP / LST

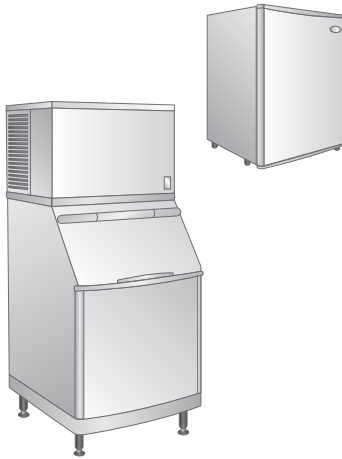
### Upright freezer



	R404A	R290
3 - 6 ft <sup>3</sup>	MLY45LR	NUY55NR
6 - 9 ft <sup>3</sup>	MLY60LD	NUY60NR
9 - 12 ft <sup>3</sup>	MLT90LD	NLY12NR
12 - 15 ft <sup>3</sup>	MPT14LD	NPT16LR
15 - 18 ft <sup>3</sup>	MPT16LD	-
18 - 21 ft <sup>3</sup>	MX23FG	-

PARAMETERS	
Evaporating temperature	-22°F
Internal temperature	0°F
Application	LBP / LST

### Ice maker



	R134a	R290
50 - 100 lb/day	GL45TE	NBC30NR
160 lb/day	GLY80RD	NUY60NR
220 lb/day	GPY14RD	NLT12RR
310 lb/day	GPY16RD	-
400 lb/day	GX23TG	-
530 lb/day	GS26TB	-

PARAMETERS	
Evaporating temperature	14°F
Internal temperature	32°F
Application	HMBP / LST

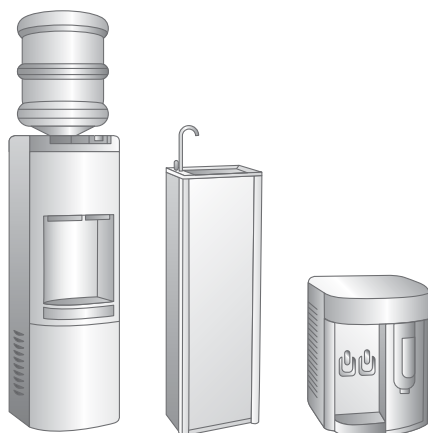
### Self service cabinet



	R134a	R290
11 - 15 ft <sup>3</sup>	GLY12RR	NUY70NR
15 - 21 ft <sup>3</sup>	GPY12RD	NUY80NR
21 - 27 ft <sup>3</sup>	GPY16RD	NLT12RR
27 - 30 ft <sup>3</sup>	GS26TG	-

PARAMETERS	
Evaporating temperature	14 a 23°F
Internal temperature	32 a 50°F
Application	MBP / LST

## Water dispensers



	R134a	R600a	R290
1/15 - 2/15 ft <sup>3</sup>	B38G5	HYB50MGU72a	-
1/6 - 1/4 ft <sup>3</sup>	GUY80NR	HYS67MKU72a	NUY55NR
2/7 - 2/5 ft <sup>3</sup>	GLY12RR	-	NUY70NR
2/5 - 2/3 ft <sup>3</sup>	GPY14RD	-	NLT12RR

PARAMETERS	
Evaporating temperature	14 a 23°F
Internal temperature	14°F
Application	HMBP / LST

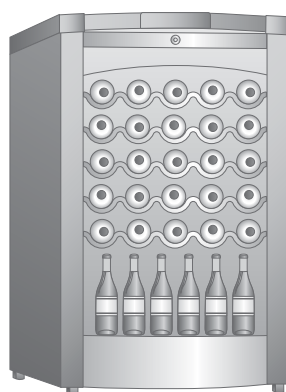
## Open display refrigerator



	R134a	R290
9 ft <sup>3</sup>	GPY12RD	NUY80NR
12 ft <sup>3</sup>	GPY16RD	NLT12RR

PARAMETERS	
Evaporating temperature	14°F
Internal temperature	23°F
Application	MBP / LST

## Wine cooler

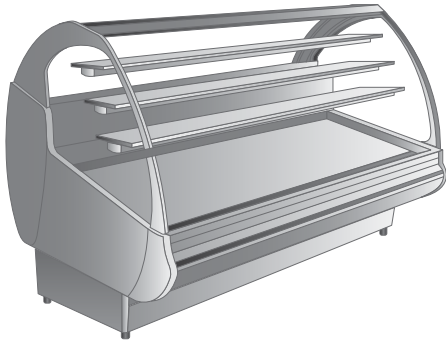


	R134a	R600a	R290
3/4 ft <sup>3</sup>	L22H5	HYB50MGU72a	-
1,5 - 2 ft <sup>3</sup>	GL45ADb	HYS67MKU72a	-
2,5 - 3 ft <sup>3</sup>	HYE51YD72	-	NBC30NR
6 ft <sup>3</sup>	GUY70NR	-	NUY45LR

PARAMETERS	
Evaporating temperature	23°F
Internal temperature	23 a 59°F
Application	HMBP / LST



### Bakery display cabinet



	R134a	R290
40 inch	GL60ADa	NBC30NR
80 inch	GUY80NR	NUY55NR
120 inch	GLY12NR	NUY60NR

PARAMETERS	
Evaporating temperature	23°F
Internal temperature	41 a 54°F
Application	MBP / LST

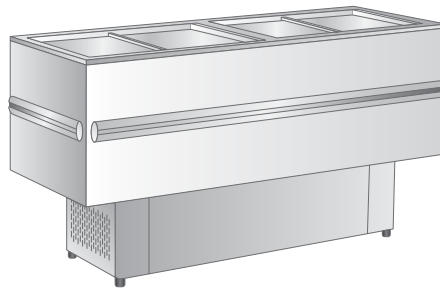
### Upright commercial freezer



	R134a	R404A	R290
9 - 12 ft³	GUY80NR	MLY45LR	NUY45LR
12 - 14 ft³	GLY12NR	ML60FR	NUY55NR
14 - 16 ft³	GPY14ND	ML80FR	NUY80NR

PARAMETERS	
Evaporating temperature	-22°F
Internal temperature	0°F
Application	LBP / LST

### Island freezer



	R404A	R290
40-60 inch	MPT12LD	NPY12LR
80 inch	MPT16LD	NPT16LR
120 inch	MX23FG	-
160 inch	MS30FG	-

PARAMETERS	
Evaporating temperature	-22°F
Internal temperature	-4 a 5°F
Application	LBP / LST

## Spare parts list

Model	Code	Motor	Voltage	Protector	Relay	Starting capacitor	Run capacitor
B43CB	123B8405	RSIR Relay	220-240V 50Hz & 220-240V 60Hz	123B9572	123B9172		
B60C5BL	123B8424	RSCR PTC	110-120V 60Hz	123B9573	123B9174		123B9222
B60CBL	123B8423	RSIR PTC	220-240V 60Hz	123B9563	123B9172		
GUY60NRb	123B1301	CSIR Relay	115-127V 60Hz	123B9502	123B9136	123B9309	
GUY60NRc	123B1308	CSIR Relay	115-127V 60Hz	123B9498	123B9136	123B9309	
NBC30NR	123B8311	CSIR Relay	115-127V 60Hz	123B9567	123B9182	123B9323	
NUY45NRa	123B3170	CSIR Relay	115-127V 60Hz	123B9470	123B9109	123B9320	
NUY45NRb	123B3314	CSR Relay + NTC	115-127V 60Hz	123B9470	123B9186	123B9320	123B9220
NUY60NRa	123B3312	CSIR Relay	115-127V 60Hz	123B9543	123B9122	123B9320	
NUY60NRc	123B3313	CSIR Relay	115-127V 60Hz	123B9482	123B9122	123B9320	
B22G5	123B8116	RSIR PTC	110-115V 60Hz	123B9559	123B9174		
B25G	123B8117	RSIR PTC	220-240V 50Hz & 220-240V 60Hz	123B9557	123B9173		
B25G5L	123B8119	CSIR Relay	110-115V 60Hz	123B9570	123B9181	123B9322	
B30G5	123B8122	RSIR Relay	110-115V 60Hz	123B9571	123B9183		
B35C	123B8404	RSIR PTC	220-240V 50Hz & 220-240V 60Hz	123B9552	123B9175		
B35C5B	123B8417	RSIR PTC	110-115V 60Hz	123B9565	123B9177		
B35G5	123B8124	CSIR Relay	110-115V 60Hz	123B9571	123B9184	123B9322	
B38G	123B8125	CSIR Relay	220-240V 50Hz & 220-240V 60Hz	123B9568	123B9180	123B9322	
B38G5L	123B8126	CSIR Relay	110-115V 60Hz	123B9571	123B9182	123B9322	
B38H	123B8103	RSIR PTC	220-240V 60Hz	123B9564	123B9170		
B38H5L	123B8111	RSIR PTC	110-120V 60Hz	123B9569	123B9177		
B43C5B	123B8421	RSIR PTC	110-115V 60Hz	123B9558	123B9174		
B43H	123B8104	RSIR PTC	220-240V 50Hz & 220-240V 60Hz	123B9563	123B9170		
B52CL	123B8408	RSIR PTC	220-240V 50Hz & 220-240V 60Hz	123B9555	123B9171		
GL45ADa	123B1153	RSIR PTC	115V 60Hz	123B9405	123B9102		
GL45ADb	123B1154	CSIR Relay	115V 60Hz	123B9405	123B9108	123B9309	
GL45ANa	123B1113	RSIR PTC	200-240V 50Hz & 220-230V 60Hz	123B9418	123B9101		
GL45MG	123B1704	CSIR Relay	230V 50/60Hz	123B9444	123B9112	123B9311	
GL45PE	123B1568	RSIR Relay	115V 60Hz	123B9445	123B9115		
GL45TE	123B1569	CSIR Relay	115V 60Hz	123B9445	123B9116	123B9309	
GL45TG	123B1517	CSIR Relay	200-240V 50Hz & 220-230V 60Hz	123B9525	123B9107	123B9311	
GL60ADa	123B1155	RSIR PTC	115V 60Hz	123B9433	123B9102		
GL60ADb	123B1156	CSIR Relay	115V 60Hz	123B9425	123B9116	123B9309	
GL60ANa	123B1118	RSIR PTC	200-240V 50Hz & 220-230V 60Hz	123B9450	123B9101		
GL60ANb	123B1119	CSIR Relay	200-240V 50Hz & 220-230V 60Hz	123B9404	123B9112	123B9311	
GL60ANc	123B1120	CSIR Relay	200-240V 50Hz & 220-230V 60Hz	123B9451	123B9112	123B9311	
GL60MG	123B1705	CSIR Relay	230V 50/60Hz	123B9402	123B9107	123B9311	
GL60PE	123B1570	RSIR Relay	115V 60Hz	123B9456	123B9168		
GL60TC	123B1523	CSIR Relay	100V 50/60Hz	123B9455	123B9118	123B9309	
GL60TE	123B1571	CSIR Relay	115V 60Hz	123B9456	123B9118	123B9309	
GL60TG	123B1522	CSIR Relay	200-240V 50Hz & 220-230V 60Hz	123B9457	123B9107	123B9311	
GL70ANa	123B1173	RSIR PTC	200-220V 50Hz & 220-230V 60Hz	123B9402	123B9101		
GL80ADa	123B1157	RSIR PTC	115V 60Hz	123B9432	123B9102		
GL80ADb	123B1158	CSIR Relay	115V 60Hz	123B9462	123B9118	123B9318	
GL80ANa	123B1125	RSIR PTC	200-220V 50Hz & 220-230V 60Hz	123B9459	123B9101		
GL80ANb	123B1126	CSIR Relay	200-220V 50Hz & 220-230V 60Hz	123B9464	123B9108	123B9315	
GL80ANc	123B1127	CSIR Relay	200-220V 50Hz & 220-230V 60Hz	123B9425	123B9108	123B9315	
GL80MG	123B1706	CSIR Relay	200-220V 50Hz & 220-230V 60Hz	123B9425	123B9119	123B9312	
GL80PE	123B1574	RSIR Relay	115V 60Hz	123B9467	123B9121		
GL80TC	123B1529	CSIR Relay	100V 50/60Hz	123B9469	123B9122	123B9318	
GL80TE	123B1575	CSIR Relay	115V 60Hz	123B9467	123B9122	123B9318	
GL80TG	123B1528	CSIR Relay	200-220V 50Hz & 220-230V 60Hz	123B9470	123B9119	123B9312	
GL90ADa	123B1159	RSIR PTC	115V 60Hz	123B9471	123B9102		

## Danfoss Light Commercial Refrigeration Compressors

Model	Code	Motor	Voltage	Protector	Relay	Starting capacitor	Run capacitor
GL90ADb	123B1160	CSIR Relay	115V 60Hz	123B9472	123B9122	123B9318	
GL90ANa	123B1132	RSIR PTC	200-220V 50Hz & 220-230V 60Hz	123B9474	123B9101		
GL90ANb	123B1133	CSIR Relay	200-220V 50Hz & 220-230V 60Hz	123B9425	123B9110	123B9315	
GL90ANc	123B1134	CSIR Relay	200-220V 50Hz & 220-230V 60Hz	123B9475	123B9110	123B9315	
GL90MG	123B1707	CSIR Relay	230V 50/60Hz	123B9477	123B9109	123B9312	
GL90PE	123B1578	RSIR Relay	115V 60Hz	123B9469	123B9121		
GL90TC	123B1535	CSIR Relay	100V 50/60Hz	123B9478	123B9122	123B9318	
GL90TE	123B1579	CSIR Relay	115V 60Hz	123B9469	123B9122	123B9318	
GL90TG	123B1534	CSIR Relay	200-220V 50Hz & 220-230V 60Hz	123B9435	123B9109	123B9312	
GL99ADa	123B1161	RSIR PTC	115V 60Hz	123B9471	123B9102		
GL99ADb	123B1162	CSIR Relay	115V 60Hz	123B9471	123B9122	123B9318	
GLY12NRa	123B1304	CSIR Relay	115-127V 60Hz	123B9491	123B9122	123B9314	
GLY12NRb	123B1305	CSR Relay + NTC	115-127V 60Hz	123B9491	123B9124	123B9314	123B9216
GLY12RGa	123B1710	CSIR Relay	200-220V 50Hz & 220-230V 60Hz	123B9502	123B9110	123B9312	
GLY12RGb	123B1711	CSR Relay + NTC	200-220V 50Hz & 220-230V 60Hz	123B9502	123B9169	123B9312	123B9212
GLY12RRa	123B1601	CSIR Relay	115-127V 60Hz	123B9491	123B9134	123B9318	
GLY12RRb	123B1599	CSR Relay + NTC	115-127V 60Hz	123B9491	123B9141	123B9318	123B9216
MX16TE	123B2548	CSR Box Size X	115V 60Hz	123B9714	123B9190	123B9324	123B9230
MX18TE	123B2545	CSR Box Size X	115V 60Hz	123B9714	123B9190	123B9324	123B9230
GLY80RDa	123B1572	CSIR Relay	115V 60Hz	123B9472	123B9122	123B9313	
GLY80RDb	123B1573	CSR Relay + NTC	115V 60Hz	123B9489	123B9124	123B9313	123B9216
GLY90RDa	123B1576	CSIR Relay	115V 60Hz	123B9491	123B9129	123B9313	
GLY90RDb	123B1577	CSR Relay + NTC	115V 60Hz	123B9472	123B9130	123B9313	123B9216
GP12PE	123B1582	RSIR Relay	115V 60Hz	123B9494	123B9132		
GP12TE	123B1583	CSIR Relay	115V 60Hz	123B9494	123B9134	123B9318	
GP12TG	123B1594	CSIR Relay	200-220V 50Hz & 220-230V 60Hz	123B9495	123B9116	123B9312	
GP12YG	123B1802	CSIR Relay	230V 50/60Hz	123B9472	123B9136	123B9312	
GP14CG	123B1142	RSIR Relay	200-220V 50Hz & 230V 60Hz	123B9470	123B9115	-	
GP14FC	123B1144	CSIR Relay	100V 50/60Hz	123B9494	123B9134	123B9314	
GP14FE	123B1163	CSIR Relay	115V 60Hz	123B9494	123B9134	123B9314	
GP14PE	123B1586	RSIR Relay	115V 60Hz	123B9496	123B9132		
GP14TE	123B1587	CSIR Relay	115V 60Hz	123B9496	123B9134	123B9318	
GP14TG	123B1539	CSIR Relay	200-220V 50Hz & 220-230V 60Hz	123B9497	123B9136	123B9312	
GP16FC	123B1149	CSIR Relay	100V 50/60Hz	123B9494	123B9134	123B9314	
GP16FE	123B1164	CSIR Relay	115V 60Hz	123B9494	123B9134	123B9314	
GP16TE	123B1718	CSIR Relay	115V 60Hz	123B9496	123B9137	123B9318	
GP16TG	123B1714	CSIR Relay	200-220V 50Hz & 230V 60Hz	123B9482	123B9118	123B9316	
GP16YGb	123B1805	CSR Relay + NTC	230V 50/60Hz	123B9494	123B9139	123B9312	123B9222
GPT16RG	123B1715	CSR Relay + NTC	200-220V 50Hz & 220-230V 60Hz	123B9498	123B9139	123B9316	123B9225
GPY12RDa	123B1580	CSIR Relay	115V 60Hz	123B9494	123B9134	123B9314	
GPY12RDb	123B1581	CSR Relay + NTC	115V 60Hz	123B9491	123B9141	123B9314	123B9216
GPY14NDa	123B1311	CSIR Relay	115V 60Hz	123B9494	123B9138	123B9320	
GPY14NDb	123B1312	CSR Relay + NTC	115V 60Hz	123B9494	123B9143	123B9320	123B9220
GPY14NGa	123B1313	CSIR Relay	200-220V 50Hz&220-230V 60Hz	123B9502	123B9136	123B9316	
GPY14NGb	123B1314	CSR Relay + NTC	200-220V 50Hz&220-230V 60Hz	123B9502	123B9151	123B9316	123B9212
GPY14RDa	123B1584	CSIR Relay	115-127V 60Hz	123B9496	123B9138	123B9314	
GPY14RDb	123B1585	CSR Relay + NTC	115-127V 60Hz	123B9496	123B9143	123B9314	123B9217
GPY16RDa	123B1588	CSIR Relay	115-127V 60Hz	123B9496	123B9138	123B9314	
GPY16RDb	123B1589	CSR Relay + NTC	115-127V 60Hz	123B9496	123B9143	123B9314	123B9217
GS26T3	123B1551	3ph Size S	400-440V 50/60Hz 3ph	123B9505	-		
GS26TG	123B1550	CSIR Box Size S	200-220V 50Hz & 220-230V 60Hz	123B9507	123B9146	123B9304	
GS30TG	123B1553	CSR Box Size S	200-220V 50Hz & 220-230V 60Hz	123B9507	123B9147	123B9304	123B9205
GS34TF	123B1590	CSR Box Size S	220-230V 60Hz	123B9509	123B9147	123B9304	123B9205
GS34TG	123B1614	CSR Box Size S	200-220V 50Hz & 220-230V 60Hz	123B9507	123B9147	123B9304	123B9205

## Danfoss Light Commercial Refrigeration Compressors

Model	Code	Motor	Voltage	Protector	Relay	Starting capacitor	Run capacitor
GUY70NRb	123B1307	CSIR Relay	115-127V 60Hz	123B9499	123B9118	123B9320	
GUY70NRc	123B1309	CSIR Relay	115-127V 60Hz	123B9497	123B9118	123B9320	
GUY72RCa	123B1617	CSIR Relay	100V 50/60Hz	123B9491	123B9118	123B9320	
GUY72RCb	123B1618	CSR Relay + NTC	100V 50/60Hz	123B9491	123B9150	123B9320	123B9216
GUY80NRb	123B1303	CSIR Relay	115-127V 60Hz	123B9498	123B9118	123B9309	
GUY80NRc	123B1310	CSIR Relay	115-127V 60Hz	123B9497	123B9118	123B9309	
GX18TG	123B1545	CSIR Relay	200-220V 50Hz & 220-230V 60Hz	123B9489	123B9129	123B9315	
GX23TG	123B1548	CSIR Relay	200-220V 50Hz & 220-230V 60Hz	123B9496	123B9134	123B9316	
HPY12AGa	123B4116	RSIR PTC	200-220V 50Hz & 220-230V 60Hz	123B9461	123B9101		
HPY12AGb	123B4117	RSCR PTC	200-220V 50Hz & 220-230V 60Hz	123B9461	123B9101		123B9210
HPY14AJa	123B4120	RSIR PTC	100V 50/60Hz	123B9517	123B9102		
HPY14AJb	123B4121	RSCR PTC	100V 50/60Hz	123B9517	123B9102		123B9217
L30CL	123B8402	RSIR PTC	220-240V 50Hz & 220-240V 60Hz	123B9553	123B9175		
L30HL	123B8102	RSIR PTC	220-240V 50Hz & 220-240V 60Hz	123B9557	123B9170		
L45TN	123B5502	CSIR Relay	200-220V 50Hz & 230V 60Hz	123B9417	123B9108	123B9311	
L57TN	123B5503	CSIR Relay	200-220V 50Hz & 230V 60Hz	123B9436	123B9119	123B9311	
L76TN	123B5507	CSIR Relay	200-220V 50Hz & 230V 60Hz	123B9455	123B9109	123B9312	
L88TN	123B5518	CSIR Relay	115-127V 60Hz	123B9496	123B9134	123B9314	
L88TN	123B5509	CSIR Relay	200-220V 50Hz & 230V 60Hz	123B9469	123B9116	123B9312	
ML40TG	123B2502	CSIR Relay	200-240V 50Hz & 220-230V 60Hz	123B9464	123B9108	123B9311	
ML45FG	123B2104	CSIR Relay	200-240V 50Hz & 220-230V 60Hz	123B9439	123B9107	123B9311	
ML45FR	123B2160	CSIR Relay	115-127V 60Hz	123B9499	123B9136	123B9309	
ML45TG	123B2504	CSIR Relay	200-240V 50Hz & 220-230V 60Hz	123B9470	123B9108	123B9311	
ML60FG	123B2108	CSIR Relay	200-240V 50Hz & 220-230V 60Hz	123B9466	123B9119	123B9311	
ML60FR	123B2143	CSIR Relay	115-127V 60Hz	123B9482	123B9118	123B9309	
ML60TG	123B2508	CSIR Relay	200-220V 50Hz & 230V 60Hz	123B9436	123B9110	123B9311	
ML60TR	123B2529	CSIR Relay	115-127V 60Hz	123B9472	123B9122	123B9318	
ML80FG	123B2112	CSIR Relay	200-220V 50Hz & 220-230V 60Hz	123B9502	123B9136	123B9312	
ML80FR	123B2146	CSIR Relay	115-127V 60Hz	123B9494	123B9129	123B9318	
ML80TG	123B2512	CSIR Relay	200-240V 50Hz & 220-230V 60Hz	123B9455	123B9116	123B9312	
ML90FG	123B2116	CSIR Relay	200-220V 50Hz & 230V 60Hz	123B9502	123B9136	123B9312	
ML90FR	123B2147	CSIR Relay	115-127V 60Hz	123B9494	123B9134	123B9318	
ML90TG	123B2516	CSIR Relay	200-220V 50Hz & 230V 60Hz	123B9482	123B9136	123B9312	
MLT12RG	123B2532	CSR Relay + NTC	200-220V 50Hz & 220-230V 60Hz	123B9489	123B9151	123B9316	123B9215
MLT90CD	123B2149	RSCR PTC	115V 60Hz	123B9432	123B9102	-	123B9216
MLT90CDc	123B2150	CSR Relay + NTC	115V 60Hz	123B9472	123B9130	123B9313	123B9216
MLT90LD	123B2148	CSR Relay + NTC	115V 60Hz	123B9472	123B9130	123B9313	123B9216
MLY12Lfa	123B2179	CSIR Relay	208-230V 60Hz	123B9498	123B9122	123B9312	
MLY12Lfb	123B2180	CSR Relay + NTC	208-230V 60Hz	123B9498	123B9160	123B9312	123B9212
MLY12Lga	123B2121	CSIR Relay	200-220V 50Hz & 230V 60Hz	123B9498	123B9122	123B9321	
MLY12Lgb	123B2122	CSR Relay + NTC	200-220V 50Hz & 230V 60Hz	123B9498	123B9160	123B9321	123B9222
MLY12LRa	123B2181	CSIR Relay	115-127V 60Hz	123B9527	123B9137	123B9314	
MLY12LRb	123B2182	CSR Relay + NTC	115-127V 60Hz	123B9527	123B9187	123B9314	123B9216
MLY45LRa	123B2141	CSIR Relay	115-127V 60Hz	123B9499	123B9136	123B9309	
MLY45LRb	123B2142	CSR Relay + NTC	115-127V 60Hz	123B9499	123B9148	123B9309	123B9216
MLY60Lda	123B2144	CSIR Relay	115V 60Hz	123B9482	123B9118	123B9313	
MLY60Ldb	123B2145	CSR Relay + NTC	115V 60Hz	123B9499	123B9150	123B9313	123B9216
MLY60Rda	123B2527	CSIR Relay	115V 60Hz	123B9491	123B9122	123B9313	
MLY60Rdb	123B2528	CSR Relay + NTC	115V 60Hz	123B9472	123B9124	123B9313	123B9216
NUT55LRa	123B3147	CSIR Relay	115-127V 60Hz	123B9714	123B9116	123B9303	
MLY80Rda	123B2530	CSIR Relay	115V 60Hz	123B9494	123B9134	123B9314	
MLY80Rdb	123B2531	CSR Relay + NTC	115V 60Hz	123B9491	123B9141	123B9314	123B9216
MP12FG	123B2166	CSIR Relay	200-220V 50Hz & 220-230V 60Hz	123B9499	123B9136	123B9315	
MP12FR	123B2151	CSIR Relay	115-127V 60Hz	123B9496	123B9134	123B9318	

## Danfoss Light Commercial Refrigeration Compressors

Model	Code	Motor	Voltage	Protector	Relay	Starting capacitor	Run capacitor
NUT55LRb	123B3148	CSR Relay + NTC	115-127V 60Hz	123B9714	123B9189	123B9303	123B9216
MP12TG	123B2517	CSR Box	200-220V 50Hz & 220-230V 60Hz	123B9482	123B9153	123B9307	123B9222
MP14FE	123B2154	CSIR Relay	115V 60Hz	123B9496	123B9138	123B9318	
MP14FG	123B2125	CSIR Relay	200-220V 50Hz & 230V 60Hz	123B9498	123B9118	123B9316	
MPT12CD	123B2153	RSCR PTC	115V 60Hz	123B9471	123B9102	123B9322	123B9216
MPT12LD	123B2152	CSR Relay + NTC	115V 60Hz	123B9527	123B9141	123B9314	123B9216
MPT12RG	123B2703	CSR Relay + NTC	200-220V 50Hz & 220-230V 60Hz	123B9489	123B9151	123B9316	123B9215
MPT14LD	123B2155	CSR Relay + NTC	115V 60Hz	123B9496	123B9143	123B9314	123B9227
MPT14LF	123B2156	CSR Relay + NTC	208-230V 60Hz	123B9498	123B9139	123B9315	123B9219
MS18T3	123B2520	3ph Size S	400-440V 50/60Hz 3ph	123B9505	-		
MS22T3	123B2522	3ph Size S	400-440V 50/60Hz 3ph	123B9505	-		
MS26F3	123B2136	3ph Size S	400-440V 50/60Hz 3ph	123B9505	-		
MS26FF	123B2157	CSR Box Size S	208-230V 60Hz	123B9529	123B9153	123B9304	123B9208
MS26FG	123B2135	CSR Box Size S	200-220V 50Hz & 230V 60Hz	123B9530	123B9153	123B9304	123B9208
MS26T3	123B2525	3ph Size S	400-440V 50/60Hz 3ph	123B9531	-		
MS26TG	123B2524	CSR Box Size S	200-220V 50Hz & 230V 60Hz	123B9509	123B9156	123B9304	123B9226
MS30F3	123B2138	3ph Size S	400-440V 50/60Hz 3ph	123B9532	-		
MS30FF	123B2158	CSR Box Size S	208-230V 60Hz	123B9509	123B9153	123B9304	123B9208
MS30FG	123B2159	CSR Box Size S	230V 60Hz	123B9533	123B9156	123B9304	123B9226
MS34F3	123B2140	3ph Size S	400-440V 50/60Hz 3ph	123B9534	-		
MS34FF	123B2174	CSR Box Size S	208V 60Hz	123B9536	123B9156	123B9304	123B9208
MS34T3	123B2526	3ph Size S	400-440V 50/60Hz 3ph	123B9537	-		
MS34TG	123B2711	CSR Box Size S	200-220V 50Hz & 230V 60Hz	123B9548	123B9156	123B9304	123B9228
MX18TG	123B2519	CSR Box	200-220V 50Hz & 220-230V 60Hz	123B9494	123B9156	123B9302	123B9208
MX18TGa	123B2541	CSR Relay + NTC	200-220V 50Hz & 220-230V 60Hz	123B9496	123B9159	123B9304	123B9215
MX21FG	123B2131	CSR Box	200-220V 50Hz & 220-230V 60Hz	123B9472	123B9156	123B9302	123B9208
MX21TG	123B2709	CSR Box	200-220V 50Hz & 230V 60Hz	123B9496	123B9156	123B9302	123B9208
MX21TGa	123B2714	CSR Relay + NTC	200-220V 50Hz & 220-230V 60Hz	123B9496	123B9161	123B9321	123B9208
MX23FG	123B2133	CSR Box	200-220V 50Hz & 220-230V 60Hz	123B9491	123B9153	123B9304	123B9215
MX23FGa	123B2183	CSR Relay + NTC	200-220V 50Hz & 220-230V 60Hz	123B9491	123B9159	123B9321	123B9215
NLY12NGa	123B3305	CSIR Relay	200-220V 50Hz & 220-230V 60Hz	123B9498	123B9122	123B9321	
NLY12NGb	123B3306	CSR Relay + NTC	200-220V 50Hz & 220-230V 60Hz	123B9498	123B9160	123B9321	123B9212
NLY45LRa	123B3129	CSIR Relay	115-127V 60Hz	123B9470	123B9118	123B9313	
NLY45LRb	123B3130	CSR Relay + NTC	115-127V 60Hz	123B9470	123B9150	123B9313	123B9216
NLY45RRa	123B3516	CSIR Relay	115-127V 60Hz	123B9489	123B9118	123B9320	
NLY45RRb	123B3517	CSR Relay + NTC	115-127V 60Hz	123B9489	123B9150	123B9320	123B9216
NLY60LRa	123B3131	CSIR Relay	115-127V 60Hz	123B9482	123B9122	123B9313	
NLY60LRb	123B3132	CSR Relay + NTC	115-127V 60Hz	123B9482	123B9124	123B9313	123B9216
NLY60RRa	123B3518	CSIR Relay	115-127V 60Hz	123B9489	123B9118	123B9309	
NLY60RRb	123B3519	CSR Relay + NTC	115-127V 60Hz	123B9489	123B9150	123B9309	123B9216
NLY75NRa	123B3301	CSIR Relay	115-127V 60Hz	123B9482	123B9129	123B9318	
NLY75NRb	123B3302	CSR Relay + NTC	115-127V 60Hz	123B9482	123B9130	123B9318	123B9216
NLY75RRa	123B3520	CSIR Relay	115-127V 60Hz	123B9494	123B9129	123B9309	
NLY75RRb	123B3521	CSR Relay + NTC	115-127V 60Hz	123B9494	123B9130	123B9309	123B9216
NLY80LRa	123B3133	CSIR Relay	115-127V 60Hz	123B9482	123B9129	123B9318	
NLY80LRb	123B3134	CSR Relay + NTC	115-127V 60Hz	123B9482	123B9130	123B9318	123B9216
NLY80RRa	123B3522	CSIR Relay	115-127V 60Hz	123B9494	123B9129	123B9309	
NLY80RRb	123B3523	CSR Relay + NTC	115-127V 60Hz	123B9494	123B9130	123B9309	123B9216
NLY90NRa	123B3309	CSIR Relay	115-127V 60Hz	123B9491	123B9129	123B9313	
NLY90NRb	123B3310	CSR Relay + NTC	115-127V 60Hz	123B9491	123B9130	123B9313	123B9216
NLY90RRa	123B3524	CSIR Relay	115-127V 60Hz	123B9496	123B9129	123B9309	
NLY90RRb	123B3525	CSR Relay + NTC	115-127V 60Hz	123B9496	123B9130	123B9309	123B9216

## Danfoss Light Commercial Refrigeration Compressors

Model	Code	Motor	Voltage	Protector	Relay	Starting capacitor	Run capacitor
NPT16LR	123B3165	CSR Relay + NTC	115-127V 60Hz	123B9494	123B9143	123B9313	123B9221
NPY12LRa	123B3137	CSIR Relay	115-127V 60Hz	123B9494	123B9129	123B9309	
NPY12LRb	123B3138	CSR Relay + NTC	115-127V 60Hz	123B9494	123B9130	123B9309	123B9216
NPY14LFa	123B3139	CSIR Relay	208-230V 60Hz	123B9498	123B9118	123B9315	
NPY14LFb	123B3140	CSR Relay + NTC	208-230V 60Hz	123B9498	123B9139	123B9315	123B9219
NUT55LRc	123B3155	CSIR Relay	115-127V 60Hz	123B9495	123B9116	123B9303	
NUT55LRd	123B3156	CSR Relay + NTC	115-127V 60Hz	123B9495	123B9189	123B9303	123B9216
NUT60LRa	123B3149	CSIR Relay	115-127V 60Hz	123B9498	123B9136	123B9305	
NUT60LRb	123B3150	CSR Relay + NTC	115-127V 60Hz	123B9498	123B9148	123B9305	123B9216
NUT60LRc	123B3151	CSIR Relay	115-127V 60Hz	123B9495	123B9136	123B9305	
NUT60LRd	123B3152	CSR Relay + NTC	115-127V 60Hz	123B9495	123B9148	123B9305	123B9216
NUY45NRa	123B3170	CSIR Relay	115-127V 60Hz	123B9470	123B9109	123B9320	
P12TN	123B5520	CSR Box	230V 60Hz	123B9467	123B9156	123B9307	123B9219
RL90TE	123B9002	CSIR Relay	100V 50Hz & 115V 60Hz	123B9544	123B9129	123B9318	
RL90TG	123B9001	CSIR Relay	220-240V 50Hz & 220-240V 60Hz	123B9425	123B9116	123B9316	
S18TN	123B5514	CSR Box Size S	200-220V 50Hz & 230V 60Hz	123B9533	123B9153	123B9307	123B9219
S26TN	123B5516	CSR Box Size S	230V 60Hz	123B9546	123B9156	123B9304	123B9215
X16TN	123B5711	CSR Box	200-220V 50Hz & 230V 60Hz	123B9494	123B9156	123B9307	123B9219
X18TN	123B5712	CSR Box	200-220V 50Hz & 230V 60Hz	123B9494	123B9156	123B9307	123B9222



# Danfoss Cooling

is a worldwide manufacturer of compressors and condensing units for refrigeration and HVAC applications. With a wide range of high quality and innovative products we help your company to find the best possible energy efficient solution that respects the environment and reduces total life cycle costs.

We have 40 years of experience within the development of hermetic compressors which has brought us amongst the global leaders in our business, and positioned us as distinct variable speed technology specialists. Today we operate from engineering and manufacturing facilities spanning across three continents.



Our products can be found in a variety of applications such as rooftops, chillers, residential air conditioners, heatpumps, coldrooms, supermarkets, milk tank cooling and industrial cooling processes.

[www.danfoss.com](http://www.danfoss.com)

Danfoss, BP 331, 01603 Trévoux Cedex, France | +334 74 00 28 29



Danfoss can accept no responsibility for possible errors in catalogues, brochures and other printed material. Danfoss reserves the right to alter its products without notice. This also applies to products already on order provided that such alterations can be made without subsequential changes being necessary in specifications already agreed. All trademarks in this material are property of the respective companies. Danfoss and the Danfoss logotype are trademarks of Danfoss A/S. All rights reserved.