



## 公司简介

江森自控日立万宝压缩机（广州）有限公司位于广州从化区明珠工业园，是由广州万宝集团有限公司（40%）、江森自控日立空调服务（香港）有限公司（40.618%）、台湾日立江森自控股份有限公司（19.382%）三方共同出资成立。公司注册资本为1780万美元，现有在职员工有1100多人，具有120万台/年的产能。

1983年日立凭借其强大的设计能力和先进的制造能力生产出世界上第一台商用涡旋式压缩机，成为第一个涡旋压缩机商业化的制造商，其先进技术和可靠性在全世界制冷领域得到了高度认可。公司依托日立三大研究所，采用日立本部同步的技术，致力于高效、节能、环保的涡旋压缩机开发、生产、销售。随着江森自控的加入，开启两大巨擎在新产品与新技术领域的全面合作，为公司产品打开北美市场并进一步覆盖全球的销售前景带来积极影响。

我司的产品类型主要包括家用及轻商用，车辆用，热泵热水用，冷冻冷藏用等系列产品。我们的主要客户群为美的、格力、海信、海尔、志高等国内知名空调企业，也有日立集团在全世界的空调企业、还有印度、埃及、阿根廷等海内外客户。

公司自成立以来，凭借日立品牌和先进的产品技术，每年的产销量都维持在20%~30%的快速增长。同时公司也一直在为客户提供有针对性的解决方案，随时随地协助客户走向成功，以“价值观第一”为信条，恪守我们的解决方案、社会参与、商业运作方式和保护人与环境的承诺，担负起建设安全、舒适、可持续发展的世界的责任，和大家携手创造更加美好的明天。

## Profile

Johnson Controls-Hitachi Wanbao Compressor (Guangzhou) Co., Ltd., which is located in Pearl Industrial Park of Conghua District, Guangzhou City, is a joint venture established by Guangzhou Wanbao Group, Johnson Controls-Hitachi Air Conditioning and Taiwan Hitachi-Johnson Controls, accounting for an ownership of 40%, 40.618% and 19.382% of respectively. With a registered capital of \$17.8 million, the company has over 1,100 employees and an annual production volume of 1.2 million pieces.

Hitachi became the first commercial scroll compressor manufacturer in 1983 when it made the first commercial scroll compressor in the world relying on its robust engineering and manufacturing capabilities, and Hitachi was highly respected in the field of refrigeration for its advanced technology and high reliability. The company has been dedicated to the development, production and sales of high-efficiency, energy saving and environment friendly scroll compressors, with the three Hitachi R&D Institutions as its strong support and by applying synchroal technologies with its Japan headquarter. Since it joined hands with Johnson Controls, the two giants has established collaborative efforts in new products and technologies, lightening up the sales future of entering North America market and further spreading its footprints around the globe.

The company owns a product portfolio that consists of residential, commercial, transportation, heat pump, and cooling and refrigeration compressors, with a range of well-renowned air conditioning manufactures such as Midea, Gree, Hisense, Haier and Chigo as its main domestic customers, and oversea customers in India, Egypt and Argentina, including Hitachi Groups' worldwide air conditioning entities.

The company, relying on Hitachi Brand and its advanced product technologies, has had a rapid annual production and sales volume growth of 20%~30% since its establishment. It has provided customized solutions and helped our customers win everywhere every day. We believe in Values First and hold ourselves accountable to make the world a better place through the solutions we provide, our engagement in society, the way we do business, and our commitment to protect people and the environment.



# 发展历程 DEVELOPING COURSE



**2004年5月**  
认定为外商投资先进技术企业  
**May 2004**  
Recognized as a foreign-invested advanced technology enterprise.

**2006年4月**  
取得ISO14000、OHSAS18000体系认证证书。  
**Apr. 2006**  
Obtained ISO14000, OHSAS18000 certificates.

**2008年3月**  
第三次扩产完成  
**Mar. 2008**  
Third expansion completed.

**2013年**  
推出冷冻、冷藏用、列车用压缩机  
**2013**  
Launched refrigeration, cooling and railway compressors.

**2016年4月**  
第四次扩产完成  
**Apr. 2016**  
Fourth expansion completed.

**2003年11月**  
开工典礼在工厂举行  
**Nov. 2003**  
Opening ceremony

**2006年2月**  
第一次扩产完成  
**Feb. 2006**  
First expansion completed.

**2007年1月**  
第二次扩产完成  
**Jan. 2007**  
Second expansion completed.

**2011年11月**  
新建厂房竣工并投入使用  
**Nov. 2011**  
Newly-built workshop finished and put into use.

**2015年11月**  
股东方日立AP与江森自控成立新的合资公司“JCH”  
**Nov. 2015**  
Shareholder Hitachi AP formed joint venture “JCH” with Johnson Controls..

**2016年11月**  
正式更名为：“江森自控日立万宝压缩机（广州）有限公司”  
**Nov. 2016**  
Officially changed name as “Johnson Controls-Hitachi Wanbao Compressor (Guangzhou) Co., Ltd.”

**2017年8月**  
建厂以来的第七百万台压缩机下线  
**Aug. 2017**  
7 millionth compressor since plant establishment produced out.

- 产品执行标准：**  
**Product complies with below standards:**
- 1、Q/JCH-GC 1-2017 全封闭涡旋式制冷压缩机  
Hermetic scroll refrigeration compressor issued by producer
  - 2、Q/JCH-GC 2-2017 全封闭变频涡旋式制冷压缩机  
Hermetic inverter scroll refrigeration compressor issued by producer
  - 3、GB/T 18429 全封闭涡旋式制冷压缩机  
Hermetic scroll refrigeration compressor issued by the state
  - 4、GB 4706.1 家用和类似用途电器的安全通用要求  
General safety rules for household or similar compliance issued by the state
  - 5、GB 4706.17 家用和类似用途电器的安全电动机-压缩机的特殊要求  
Specific rules for motor-compressor -- General safety rules for household or similar compliance issued by the state
  - 6、GB/T 5773 容积式制冷压缩机性能试验方法  
Performance test method for positive displacement refrigeration compressor issued by the state
  - 7、JB/T 4330 制冷和空调设备噪声的测定  
Noise level test method for refrigeration and air-conditioner device



# 目录

## CONTENTS

### 家用及轻商用

For Domestic and Commercial

产品特性 (Product characteristics) .....	2
产品线 (Product line) .....	3
型号命名规则 (Model nomenclature) .....	4
产品参数 (Product parameters) .....	5
压缩机外形图 (Outline dimensional drawing) .....	17

### 车辆空调用

For Transport

产品特性 (Product characteristics) .....	22
产品线 (Product line) .....	23
型号命名规则 (Model nomenclature) .....	24
产品参数 (Product parameters) .....	25
压缩机外形图 (Outline dimensional drawing) .....	37

### 热泵热水用

For Heat pump and Water Heater

产品特性 (Product characteristics) .....	44
产品线 (Product line) .....	45
型号命名规则 (Model nomenclature) .....	46
产品参数 (Product parameters) .....	47
压缩机外形图 (Outline dimensional drawing) .....	50

### 冷冻冷藏用

For Refrigeration

产品特性 (Product characteristics) .....	54
产品线 (Product line) .....	55
型号命名规则 (Model nomenclature) .....	56
产品参数 (Product parameters) .....	57
压缩机外形图 (Outline dimensional drawing) .....	62

# 家用及轻商用 For Domestic and Commercial



## 产品特性 Product characteristics

### 直接吸气 Direct Suction

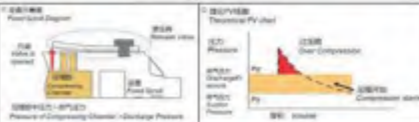
吸气预热小，容积效率高  
Little suction preheat, high volumetric efficiency.

### 喷气增焐技术 Gas Injection technique

降低排气温度，增加压缩机能力，拓宽使用范围，提升产品性能  
Lower discharge temperature, bigger compressor capacity, wider running range, better product performance.

### 泄压阀构造 Release-Valve

提高部分负荷能效，适应变比工况，提升压缩机性能。  
Improving partial load energy efficiency, adapting to the condition of variable pressure ratio, upgrading compressor performance.



### 中间压力伺服机构 Mid-pressure server

根据运行压力动态调整中间压力，实现了轴向柔性，优化动定涡旋盘啮合，提高产品性能。  
Adjusting mid-pressure according to operation pressure dynamics, achieving axial flexibility, optimizing orbiting and fixed scroll engagement, improving product performance.

### 高可靠性轴承 Highly-reliable bearings

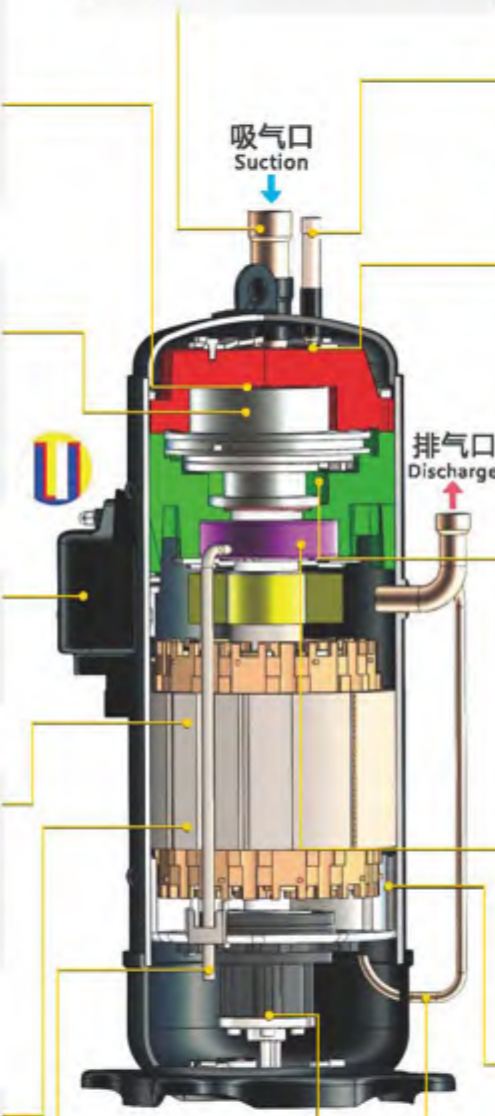
采用圆柱轴承加调心球轴承的轴承组，提高压缩机的可靠性。  
Cylindrical bearings plus aligning ball bearings to improve compressor reliability.

### 高压腔结构 High Pressure Type

大排气缓冲容积，能降低运行时的气流噪音和振动。  
Big displacement buffering capacity can bring down operation noise and vibration.

### 动态油平衡构造 Dynamic oil balance structure

油平衡管实现并联压缩机油量动态平衡，保证多台压缩机并联使用的可靠性，申请了专利。  
Oil balance pipe to achieve dynamic oil balance of compressors in parallel operation, ensure their operationality; patent applied.



### 优化非对称涡旋线 Improved asymmetric wrap

采用新型非对称涡旋型线，降低泄漏损失，减少吸气无效过热，更适合APF条件，提高压缩机效率。  
New asymmetric wrap is more suitable for APF conditions and improving compressor efficiency by reducing leakage and invalid suction superheat.

### 非接触式油膜密封 Non-contact oil membrane

压缩腔的轴向与径向采用非接触式密封，依靠润滑油形成油膜密封，降低摩擦，提高效率及可靠性。  
Non-contact seal adopted in axial and diametrical of compression chamber, oil film seal formed by lubricating oil, so friction diminished and better efficiency and reliability achieved.

### 电源端子盖设计 Terminal Cover

安装更稳固，安全性更高，防护等级更高。  
Installation more stable, more secure, higher rank of protection.

### 集中卷电机 Concentrated Motor

集中卷电机线圈高度降低，铜损减少，中低速区域效率更高，更适应APF条件。  
Concentrated winding has advantages in mid-low speed area with lower height and less copper loss, and more adaptable to APF condition.

### 高转速特性 High Speed Features

转速范围10-140rps，能力范围更宽广。  
Speed range 10-140 rps, a wider range of capability achieved.

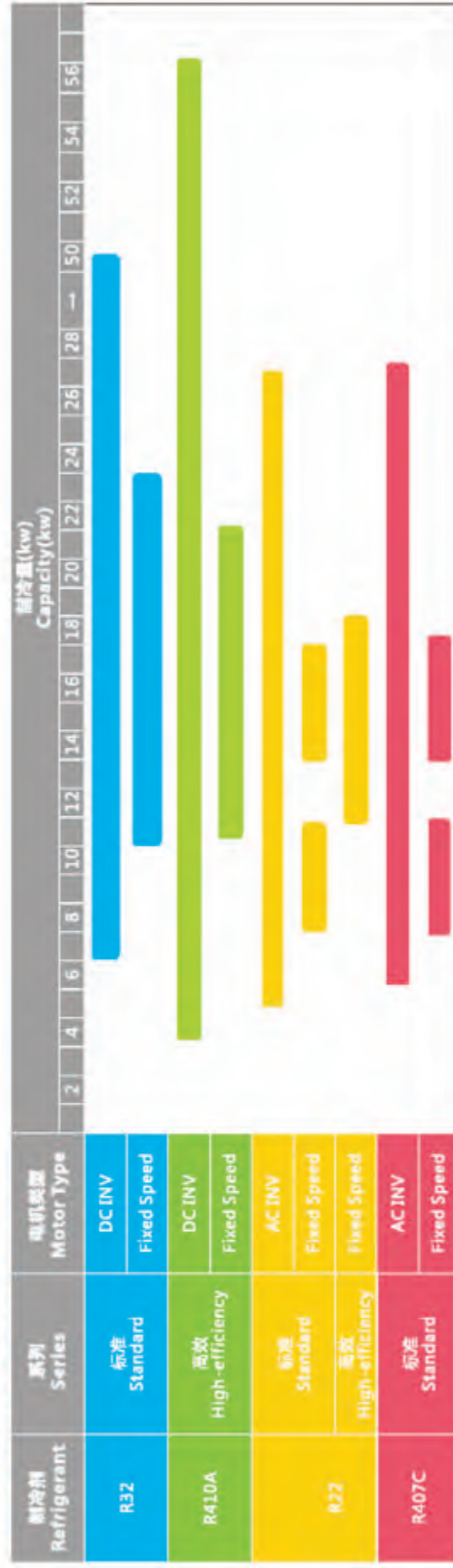
### 内部油循环构造 Internal oil circulation structure

润滑油实现内部循环，减少过热损失，降低吐油率，提高效率及可靠性。  
Internal circulation of lubricating oil to reduce over-heat losses and oil discharge rate and to improve efficiency and reliability.

### 容积式齿轮油泵 Positive displacement gear pump

容积式齿轮油泵保证高低频均能满足必要供油量，提升压缩机的可靠性。  
Positive displacement gear pumps ensure high and low frequency both can meet the necessary oil supply and improve the compressor reliability.

# 产品线 Product line



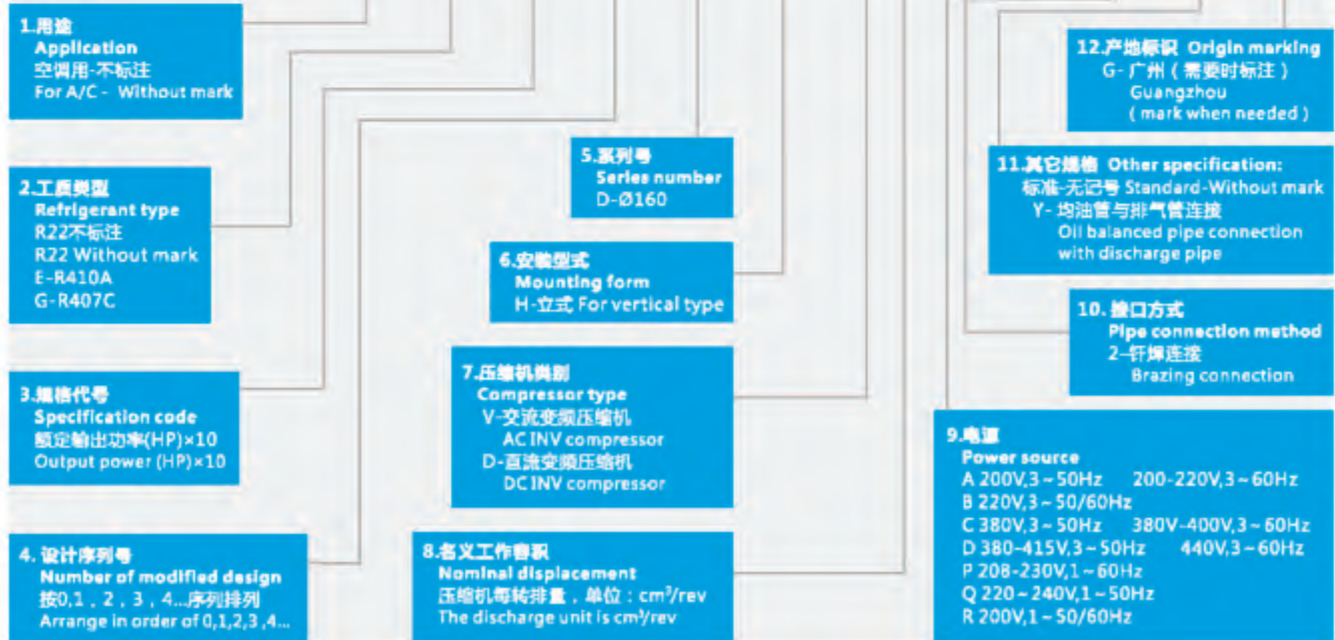
## 命名规则 (1) / Nomenclature (1)

例Example: **D C 80 P H D G - D1 Y 2**



## 命名规则 (2) / Nomenclature (2)

例Example: **E 65 5 D H D - 65 D 2 Y G**



测试标准: AHRI Test Standard: AHRI

制冷剂 Refrigerant	蒸发温度 (°C) Evaporating Temp.	吸气温度 Suction Temp.	冷凝温度 (°C) Condensing Temp.	过冷度 (°C) Subcooling Temp.	环境温度 (°C) Ambient Temp.
R32	7.2	18.3	54.4	8.3	35
R410A	7.2	18.3	54.4	8.3	35
R22	7.2	18.3	54.4	8.3	35
R407C	7.2	18.3	54.4	8.3	35

备注Remarks:  
 1. 直流变频压缩机的测试转速均为60rps, Test speed of DC INV compressor is 60rps.  
 2. 交流变频压缩机的测试转速为60Hz, Test speed of AC INV compressor is 60Hz.  
 (401DHV和G401DHV压缩机的测试转速为75Hz, Test speed of 401DHV and G401DHV compressors are 75Hz)  
 3. \*代表开发中, \* represents the product is under development.

标准直流变频型  
Standard DC INV type R32

压缩机型号 Model	排量 Displ. (cm <sup>3</sup> /rev)	转速范围 Rotate Speed Range (RPS)	制冷量 Capacity (BTU/h)	制冷量 Capacity (W)	功率 Power (W)	EER/COP (BTU/W-h)	EER/COP (W/W)	噪音 Sound Level dB(A)	注油量 Oil Charge (L)	重量 Weight (kg)	备注 Remarks
电源制式 Power Source: 3Ph- (380-415V/50Hz,440V/60Hz)											
DA38PHDG-D1K6	38	30-90	47270	13850	4170	11.3	3.32	67	1.6	32	*
AA55PHDG-D1K6	55	15-140	67670	19830	5870	11.5	3.37	70	1.6	33	*
DA65PHDG-D1K6	65	10-130	81540	23900	7080	11.5	3.37	72	1.6	38	*
DA80PHDG-D1K6	80	10-130	100640	29490	8750	11.5	3.37	72	1.9	39	*

标准定速型  
Standard fixed speed type R32

压缩机型号 Model	排量 Displ. (cm <sup>3</sup> /rev)	制冷量 Capacity (BTU/h)	制冷量 Capacity (W)	功率 Power (W)	电流 Current (A)	EER/COP (BTU/W-h)	EER/COP (W/W)	噪音 Sound Level dB(A)	注油量 Oil Charge (L)	重量 Weight (kg)	备注 Remarks
电源制式 Power Source: 3Ph- (380-415V/50Hz,440V/60Hz) 测试电源 Test Voltage: 380V 3~50Hz											
DA38PHAG-D1K6	38	37610	11020	3520	6.2	10.7	3.13	63	1.2	37	*
DA49PHAG-D1K6	49	49160	14410	4590	7.8	10.7	3.13	63	1.3	37	*
DA59PHAG-D1K6	59	58640	17190	5520	9.5	10.6	3.11	63	1.3	38	*
DA65PHAG-D1K6	65	65160	19100	6130	10.3	10.6	3.11	63	1.3	38	*
DA80PHAG-D1K6	80	79640	23350	7620	12.9	10.5	3.06	68	1.9	43	*

标准高速直流变频型  
Standard high speed DC INV type R410A

压缩机型号 Model	排量 Displ. (cm <sup>3</sup> /rev)	转速范围 Rotate Speed Range (RPS)	制冷量 Capacity (BTU/h)	制冷量 Capacity (W)	功率 Power (W)	EER/COP (BTU/W-h)	EER/COP (W/W)	噪音 Sound Level dB(A)	注油量 Oil Charge (L)	重量 Weight (kg)	备注 Remarks
电源制式 Power Source: 3Ph- (380-415V/50Hz,440V/60Hz)											
AA50PHDG-D1S2	50	15-140	56250	16480	5070	11.1	3.25	70	1.6	33	CQC/CE/UL
AA55PHDG-D1S2	55	15-140	60580	17750	5460	11.1	3.25	70	1.6	33	CQC/CE/UL
DC65PHDG-D1S2	65	10-130	73000	21400	6580	11.1	3.25	72	1.6	39	CQC/CE/UL
DC80PHDG-D1S2	80	10-130	90100	26400	8130	11.1	3.25	72	1.1	39	CQC/CE/UL
DD94PHDG-D1S2	94	8-130	105120	30800	9700	10.9	3.20	75	1.6	50	*
AA50PHDG-D1K2	50	15-140	56250	16480	5070	11.1	3.25	70	1.6	33	CQC/CE/UL
AA55PHDG-D1K2	55	15-140	60580	17750	5460	11.1	3.25	70	1.6	33	CQC/CE/UL
DC65PHDG-D1K2	65	10-130	73000	21400	6580	11.1	3.25	72	1.6	39	CQC/CE/UL
DC80PHDG-D1K2	80	10-130	90100	26400	8130	11.1	3.25	72	1.1	39	CQC/CE/UL
DD94PHDG-D1K2	94	8-130	105120	30800	9700	10.9	3.20	75	1.6	50	*

标准直流变频型  
Standard DC INV type R410A

压缩机型号 Model	排量 Displ. (cm <sup>3</sup> /rev)	转速范围 Rotate Speed Range (RPS)	制冷量 Capacity (BTU/h)	制冷量 Capacity (W)	功率 Power (W)	EER/COP (BTU/W-h)	EER/COP (W/W)	噪音 Sound Level dB(A)	注油量 Oil Charge (L)	重量 Weight (kg)	备注 Remarks
电源制式 Power Source: 3Ph- (380-415V/50Hz,440V/60Hz)											
E405DHD-36D2G	36	30-90	40270	11800	3665	10.9	3.20	67	1.2	32	CQC/CE/UL
E405DHD-38D2G	38	30-90	42320	12400	3880	10.9	3.20	67	1.2	32	CQC/CE/UL/CB
E405DHD-42D2G	42	30-90	46940	13760	4300	10.9	3.20	67	1.2	32	CQC/UL
E655DHD-65D2G	65	20-100	73380	21500	6600	11.1	3.25	67	1.9	38	CQC/UL/CE/CB
E656DHD-65D2G	65	10-100	73380	21500	6600	11.1	3.25	67	1.9	38	CQC/UL
E705DHD-72D2G	72	20-100	79310	23250	7150	11.1	3.25	70	1.9	36	CQC/UL
E706DHD-72D2G	72	10-100	79310	23250	7150	11.1	3.25	70	1.9	37	CQC/UL
E856DHD-80D2G	80	10-100	88000	25920	8100	10.9	3.20	72	1.9	40	CQC/CB

标准直流变频型  
Standard DC INV type R410A

压缩机型号 Model	排量 Displ. (cm <sup>3</sup> /rev)	转速范围 Rotate Speed Range (RPS)	制冷量 Capacity (BTU/h)	制冷量 Capacity (W)	功率 Power (W)	EER/COP (BTU/W-h)	EER/COP (W/W)	噪音 Sound Level dB(A)	注油量 Oil Charge (L)	重量 Weight (kg)	备注 Remarks
电源制式 Power Source: 3Ph- (200V/50Hz,200-220V/60Hz)											
E405DHD-36A2G	36	30-90	40270	11800	3665	10.9	3.20	67	1.2	32	UL
E405DHD-38A2G	38	30-90	42320	12400	3880	10.9	3.20	67	1.2	32	UL
E405DHD-42A2G	42	30-90	46940	13760	4300	10.9	3.20	67	1.2	32	UL
E655DHD-65A2G	65	20-100	73380	21500	6600	11.1	3.25	67	1.9	38	UL
E656DHD-65A2G	65	10-100	73380	21500	6600	11.1	3.25	67	1.9	38	UL
E706DHD-72A2G	72	10-100	79310	23250	7150	11.1	3.25	70	1.9	37	UL

并联高转速直流变频型  
Multiple high speed DC INV type R410A

压缩机型号 Model	排量 Displ. (cm <sup>3</sup> /rev)	转速范围 Rotate Speed Range (RPS)	制冷量 Capacity (BTU/h)	制冷量 Capacity (W)	功率 Power (W)	EER/COP (BTU/W-h)	EER/COP (W/W)	噪音 Sound Level dB(A)	注油量 Oil Charge (L)	重量 Weight (kg)	备注 Remarks
电源制式 Power Source : 3Ph- ( 380-415V/50Hz,440V/60Hz )											
AA50PHDG-D1J2	50	15-140	56250	16480	5070	11.1	3.25	70	1.1	33	CQC/CE/UL
AA55PHDG-D1J2	55	15-140	60580	17750	5460	11.1	3.25	70	1.1	33	CQC/CE/UL
DC65PHDG-D1J2	65	10-130	73000	21400	6580	11.1	3.25	72	1.1	38	CQC/CE/UL
DC80PHDG-D1J2	80	10-130	90100	26400	8130	11.1	3.25	72	1.1	39	CQC/CE/UL
DD94PHDG-D1J2	94	8-130	105120	30800	9700	10.0	3.20	75	1.1	50	*
DA65PHDG-D1Y2	65	10-100	73720	21600	6650	11.1	3.25	72	1.1	38	CQC
AA50PHDG-D1Y2	50	15-140	56250	16480	5070	11.1	3.25	70	1.1	33	CQC/CE/UL
AA55PHDG-D1Y2	55	15-140	60580	17750	5460	11.1	3.25	70	1.1	33	CQC/CE/UL
DC65PHDG-D1Y2	65	10-130	73000	21400	6580	11.1	3.25	72	1.1	38	CQC/CE/UL
DC80PHDG-D1Y2	80	10-130	90100	26400	8130	11.1	3.25	72	1.1	39	CQC/CE/UL
DD94PHDG-D1Y2	94	8-130	105120	30800	9700	10.0	3.20	75	1.1	50	*

并联高转速直流变频型  
Multiple high speed DC INV type R410A

压缩机型号 Model	排量 Displ. (cm <sup>3</sup> /rev)	转速范围 Rotate Speed Range (RPS)	制冷量 Capacity (BTU/h)	制冷量 Capacity (W)	功率 Power (W)	EER/COP (BTU/W-h)	EER/COP (W/W)	噪音 Sound Level dB(A)	注油量 Oil Charge (L)	重量 Weight (kg)	备注 Remarks
电源制式 Power Source : 3Ph- ( 200V/50Hz,200-220V/60Hz )											
AA50PHDG-A1Y2	50	15-140	56250	16480	5070	11.1	3.25	70	1.1	33	*
AA55PHDG-A1Y2	55	15-140	60580	17750	5460	11.1	3.25	70	1.1	33	*
DC65PHDG-A1Y2	65	10-130	73040	21400	6580	11.1	3.25	72	1.1	38	*

并联高转速直流变频型  
Multiple high speed DC INV type R410A

压缩机型号 Model	排量 Displ. (cm <sup>3</sup> /rev)	转速范围 Rotate Speed Range (RPS)	制冷量 Capacity (BTU/h)	制冷量 Capacity (W)	功率 Power (W)	EER/COP (BTU/W-h)	EER/COP (W/W)	噪音 Sound Level dB(A)	注油量 Oil Charge (L)	重量 Weight (kg)	备注 Remarks
电源制式 Power Source : 3Ph- ( 380-415V/50Hz,480V/60Hz )											
DC65PHDG-D2J2	65	10-130	73000	21400	6690	11.1	3.25	72	1.1	40	*
DC65PHDG-D2Y2	65	10-130	73000	21400	6690	11.1	3.25	72	1.1	40	*

并联直流变频型  
Multiple DC INV type R410A

压缩机型号 Model	排量 Displ. (cm <sup>3</sup> /rev)	转速范围 Rotate Speed Range (RPS)	制冷量 Capacity (BTU/h)	制冷量 Capacity (W)	功率 Power (W)	EER/COP (BTU/W-h)	EER/COP (W/W)	噪音 Sound Level dB(A)	注油量 Oil Charge (L)	重量 Weight (kg)	备注 Remarks
电源制式 Power Source : 3Ph- ( 380-415V/50Hz,440V/60Hz )											
E405DHD-36D2YG	36	30-90	40270	11800	3665	10.9	3.20	67	0.5	32	CQC/CE/UL
E405DHD-38D2YG	38	30-90	42320	12400	3880	10.9	3.20	67	0.5	32	CQC/CE/CCC/UL/CB
E405DHD-42D2YG	42	30-90	46940	13760	4300	10.9	3.20	67	0.5	32	CQC/UL
E655DHD-65D2YG	65	20-100	73380	21500	6600	11.1	3.25	67	0.5	36	CQC/UL/CE/CB
E656DHD-65D2YG	65	10-100	73380	21500	6600	11.1	3.25	67	1.1	37	CQC/UL
E705DHD-72D2YG	72	20-100	79310	23250	7150	11.1	3.25	70	0.5	36	CQC/UL
E706DHD-72D2YG	72	10-100	79310	23250	7150	11.1	3.25	70	1.1	37	CQC/UL
E856DHD-80D2YG	80	10-100	88000	25920	8100	10.9	3.20	72	1.1	40	CQC/CB

并联直流变频型  
Multiple DC INV type R410A

压缩机型号 Model	排量 Displ. (cm <sup>3</sup> /rev)	转速范围 Rotate Speed Range (RPS)	制冷量 Capacity (BTU/h)	制冷量 Capacity (W)	功率 Power (W)	EER/COP (BTU/W-h)	EER/COP (W/W)	噪音 Sound Level dB(A)	注油量 Oil Charge (L)	重量 Weight (kg)	备注 Remarks
电源制式 Power Source : 3Ph- ( 200V/50Hz,200-220V/60Hz )											
E405DHD-36A2YG	36	30-90	40270	11800	3665	10.9	3.20	67	0.5	32	UL
E405DHD-38A2YG	38	30-90	42320	12400	3880	10.9	3.20	67	0.5	32	UL
E405DHD-42A2YG	42	30-90	46940	13760	4300	10.9	3.20	67	0.5	32	UL
E655DHD-65A2YG	65	20-100	73380	21500	6600	11.1	3.25	67	0.5	36	UL
E656DHD-65A2YG	65	10-100	73380	21500	6600	11.1	3.25	67	1.1	37	UL
E706DHD-72A2YG	72	10-100	79310	23250	7150	11.1	3.25	70	1.1	37	UL

标准定速型  
Standard fixed speed type

R410A

压缩机型号 Model	排量 Displ. (cm <sup>3</sup> /rev)	制冷量 Capacity (BTU/h)	制冷量 Capacity (W)	功率 Power (W)	电流 Current (A)	EER/COP (BTU/W-h)	EER/COP (W/W)	噪音 Sound Level dB(A)	注油量 Oil Charge (L)	重量 Weight (kg)	备注 Remarks
电源制式 Power Source: 3Ph- ( 220V/50Hz , 220V/60Hz )						测试电源 Test Voltage: 220V 3 ~ 50Hz					
E404DH-38B2G	38	33670	9870	3270	10.5	10.3	3.02	63	1.2	37	
E504DH-49B2G	49	44030	12900	4270	13.4	10.3	3.02	63	1.3	37	
E604DH-59B2G	59	52530	15390	5130	15.8	10.2	3.00	63	1.3	38	
E405DH-38B2G	38	33670	9870	3270	10.5	10.3	3.02	63	1.2	37	
E505DH-49B2G	49	44030	12900	4270	13.4	10.3	3.02	63	1.3	37	UL
E605DH-59B2G	59	52530	15390	5130	15.8	10.2	3.00	63	1.3	38	UL
电源制式 Power Source: 3Ph- ( 380V/50Hz , 380-400V/60Hz )						测试电源 Test Voltage: 380V 3 ~ 50Hz					
E404DH-38C2G	38	33670	9870	3270	5.9	10.3	3.02	63	1.2	37	*
E504DH-49C2G	49	44030	12900	4270	7.7	10.3	3.02	63	1.3	37	
E604DH-59C2G	59	52530	15390	5130	9.3	10.2	3.00	63	1.3	38	
E654DH-65C2G	65	58360	17100	5700	10.2	10.2	3.00	63	1.3	38	
E854DH-80C2G	80	71330	20900	7080	12.3	10.1	2.95	63	1.9	43	
E405DH-38C2G	38	33670	9870	3270	5.9	10.3	3.02	63	1.2	37	*
E505DH-49C2G	49	44030	12900	4270	7.7	10.3	3.02	63	1.3	37	CCC
E605DH-59C2G	59	52530	15390	5130	9.3	10.2	3.00	63	1.3	38	CQC/CB
E655DH-65C2G	65	58360	17100	5700	10.2	10.2	3.00	63	1.3	38	
E855DH-80C2G	80	71330	20900	7080	12.3	10.1	2.95	63	1.9	43	
电源制式 Power Source: 3Ph- ( 380-415V/50Hz , 440V/60Hz )						测试电源 Test Voltage: 380V 3 ~ 50Hz					
E404DH-38D2G	38	33670	9870	3270	5.8	10.3	3.02	63	1.2	37	CCC
E504DH-49D2G	49	44030	12900	4270	7.3	10.3	3.02	63	1.3	37	CCC
E604DH-59D2G	59	52530	15390	5130	8.8	10.2	3.00	63	1.3	38	CQC
E654DH-65D2G	65	58360	17100	5700	9.6	10.2	3.00	63	1.3	38	CQC
E854DH-80D2G	80	71330	20900	7080	12.0	10.1	2.95	63	1.9	43	CQC
E405DH-38D2G	38	33670	9870	3270	5.8	10.3	3.02	63	1.2	37	CCC
E505DH-49D2G	49	44030	12900	4270	7.3	10.3	3.02	63	1.3	37	CCC
E605DH-59D2G	59	52530	15390	5130	8.8	10.2	3.00	63	1.3	38	CQC
E655DH-65D2G	65	58360	17100	5700	9.6	10.2	3.00	63	1.3	38	CQC
E855DH-80D2G	80	71330	20900	7080	12.0	10.1	2.95	63	1.9	43	CQC

并联定速型  
Multiple fixed speed type

R410A

压缩机型号 Model	排量 Displ. (cm <sup>3</sup> /rev)	制冷量 Capacity (BTU/h)	制冷量 Capacity (W)	功率 Power (W)	电流 Current (A)	EER/COP (BTU/W-h)	EER/COP (W/W)	噪音 Sound Level dB(A)	注油量 Oil Charge (L)	重量 Weight (kg)	备注 Remarks
电源制式 Power Source: 3Ph- ( 220V/50Hz , 220V/60Hz )						测试电源 Test Voltage: 220V 3 ~ 50Hz					
E405DH-38B2YG	38	33670	9870	3270	10.5	10.3	3.02	63	0.5	37	
E505DH-49B2YG	49	44030	12900	4270	13.4	10.3	3.02	63	0.5	37	UL
E605DH-59B2YG	59	52530	15390	5130	15.8	10.2	3.00	63	0.5	38	UL
电源制式 Power Source: 3Ph- ( 380V/50Hz , 380-400V/60Hz )						测试电源 Test Voltage: 380V 3 ~ 50Hz					
E405DH-38C2YG	38	33670	9870	3270	5.9	10.3	3.02	63	0.5	37	*
E505DH-49C2YG	49	44030	12900	4270	7.7	10.3	3.02	63	0.5	37	CCC
E605DH-59C2YG	59	52530	15390	5130	9.3	10.2	3.00	63	0.5	38	CQC/CB
E655DH-65C2YG	65	58360	17100	5700	10.2	10.2	3.00	63	0.5	38	
E855DH-80C2YG	80	71330	20900	7080	12.3	10.1	2.95	63	1.1	43	
电源制式 Power Source: 3Ph- ( 380-415V/50Hz , 440V/60Hz )						测试电源 Test Voltage: 380V 3 ~ 50Hz					
E405DH-38D2YG	38	33670	9870	3270	5.8	10.3	3.02	63	0.5	37	CCC
E505DH-49D2YG	49	44030	12900	4270	7.3	10.3	3.02	63	0.5	37	CCC
E605DH-59D2YG	59	52530	15390	5130	8.8	10.2	3.00	63	0.5	38	CQC
E655DH-65D2YG	65	58360	17100	5700	9.6	10.2	3.00	63	0.5	38	CQC
E855DH-80D2YG	80	71330	20900	7080	12.0	10.1	2.95	63	1.1	43	CQC



标准交流变频型  
Standard AC INV type **R22**

压缩机型号 Model	排量 Displ. (cm <sup>3</sup> /rev)	转速范围 Rotate Speed Range (Hz)	制冷量 Capacity (BTU/h)	制冷量 Capacity (W)	功率 Power (W)	电流 Current (A)	EER/COP (BTU/W-h)	EER/COP (W/W)	噪音 Sound Level dB(A)	注油量 Oil Charge (L)	重量 Weight (kg)	备注 Remarks
电源制式 Power Source: 3Ph- ( 220V/50Hz , 220V/60Hz )												
303DHV-47B2	47	30-90	36490	10700	3370	18.5	10.9	3.20	60	1.5	36	CCC
电源制式 Power Source: 3Ph- ( 380-415V/50Hz , 440V/60Hz )												
303DHV-47D2	47	30-90	36490	10700	3370	8.6	10.9	3.20	60	1.5	36	CCC
401DHV-64D2	64	20-115	61380	18000	5600	10.5	10.9	3.20	66	1.8	36	
403DHV-64D2	64	30-90	48420	14200	4300	11.5	11.2	3.30	60	1.8	36	CCC
503DHV-80D2	80	30-90	61040	17900	5300	15.0	11.6	3.40	60	1.8	37	CCC

并联交流变频型  
Multiple AC INV type **R22**

压缩机型号 Model	排量 Displ. (cm <sup>3</sup> /rev)	转速范围 Rotate Speed Range (Hz)	制冷量 Capacity (BTU/h)	制冷量 Capacity (W)	功率 Power (W)	电流 Current (A)	EER/COP (BTU/W-h)	EER/COP (W/W)	噪音 Sound Level dB(A)	注油量 Oil Charge (L)	重量 Weight (kg)	备注 Remarks
电源制式 Power Source: 3Ph- ( 220/50Hz , 220V/60Hz )												
303DHV-47B2Y	47	30-90	36490	10700	3370	18.5	10.9	3.20	60	1.8	36	CCC
电源制式 Power Source: 3Ph- ( 380-415V/50Hz , 440V/60Hz )												
303DHV-47D2Y	47	30-90	36490	10700	3370	8.6	10.9	3.20	60	1.8	36	CCC
401DHV-64D2Y	64	20-115	61380	18000	5600	10.5	10.9	3.20	66	1.8	36	
403DHV-64D2Y	64	30-90	48420	14200	4300	11.5	11.2	3.30	60	1.8	36	CCC
503DHV-80D2Y	80	30-90	61040	17900	5300	15.0	11.6	3.40	60	1.8	37	CCC

高效标准定速型  
High efficiency standard fixed speed type **R22**

压缩机型号 Model	排量 Displ. (cm <sup>3</sup> /rev)	制冷量 Capacity (BTU/h)	制冷量 Capacity (W)	功率 Power (W)	电流 Current (A)	EER/COP (BTU/W-h)	EER/COP (W/W)	噪音 Sound Level dB(A)	注油量 Oil Charge (L)	重量 Weight (kg)	备注 Remarks	
电源制式 Power Source: 3Ph- ( 380-415V/50Hz , 440V/60Hz )												测试电源 Test Voltage: 380V 3 ~ 50Hz
F404DH-64D2	64	40590	11900	3400	6.1	11.9	3.50	63	1.2	36		
F454DH-72D2	72	46320	13580	3880	7.0	11.9	3.50	63	1.3	37		

标准定速型  
Standard fixed speed type **R22**

压缩机型号 Model	排量 Displ. (cm <sup>3</sup> /rev)	制冷量 Capacity (BTU/h)	制冷量 Capacity (W)	功率 Power (W)	电流 Current (A)	EER/COP (BTU/W-h)	EER/COP (W/W)	噪音 Sound Level dB(A)	注油量 Oil Charge (L)	重量 Weight (kg)	备注 Remarks	
电源制式 Power Source: 1Ph- ( 220-240V , 50Hz )												测试电源 Test Voltage: 220V 1 ~ 50Hz
303DH-47Q2	47	29500	8650	2780	13.3	10.7	3.14	60	1.2	36	CCC	
303DH-50Q2	50	32050	9400	2980	13.8	10.7	3.14	60	1.2	37		
354DH-56Q2	56	34780	10200	3400	15.7	10.2	3.00	60	1.2	37	CCC	
404DH-64Q2	64	40240	11800	3950	19.5	10.2	3.00	60	1.2	37		
电源制式 Power Source: 3Ph- ( 220/50Hz , 220V/60Hz )												测试电源 Test Voltage: 220V 3 ~ 50Hz
303DH-47B2	47	29500	8650	2700	8.6	10.9	3.20	60	1.2	35		
303DH-50B2	50	32200	9440	2950	9.0	10.9	3.20	60	1.2	35		
403DH-64B2	64	40240	11800	3600	11.2	11.1	3.25	60	1.2	35		
503DH-80B2	80	50800	14900	4400	13.4	11.6	3.40	60	1.4	37	CCC	
电源制式 Power Source: 3Ph- ( 380V/50Hz , 380-400V/60Hz )												测试电源 Test Voltage: 380V 3 ~ 50Hz
303DH-47C2	47	29500	8650	2700	5.0	10.9	3.20	60	1.2	34	CCC	
303DH-50C2	50	32050	9400	2900	5.4	10.9	3.20	60	1.2	34	CCC	
353DH-56C2	56	34780	10200	3200	6.2	11.1	3.25	60	1.2	34	CCC	
403DH-64C2	64	40240	11800	3600	6.8	11.1	3.25	60	1.2	34	CCC	
453DH-72C2	72	46040	13500	4000	7.6	11.6	3.40	60	1.4	35	CCC	
453DH-75C2	75	48780	14300	4200	7.7	11.6	3.40	60	1.4	35	CCC	
503DH-80C2	80	50800	14900	4400	8.1	11.6	3.40	60	1.4	35	CCC	
503DH-83C2	83	53210	15600	4600	8.6	11.6	3.40	60	1.4	35	CCC	
603DH-90C2	90	57290	16800	5100	9.5	11.3	3.30	60	1.4	36	CCC	
603DH-95C2	95	60020	17600	5300	10.0	11.3	3.30	60	1.4	36	CCC	
电源制式 Power Source: 3Ph- ( 380-415V/50Hz , 440V/60Hz )												测试电源 Test Voltage: 380V 3 ~ 50Hz
303DH-47D2	47	29500	8650	2700	4.8	10.9	3.20	60	1.2	36	CCC	
303DH-50D2	50	32050	9400	2900	5.3	10.9	3.20	60	1.2	36		
353DH-56D2	56	34780	10200	3200	5.7	11.1	3.25	60	1.2	36	CCC	
403DH-64D2	64	40240	11800	3600	6.3	11.1	3.25	60	1.2	36	CCC	
453DH-72D2	72	46040	13500	4000	7.0	11.6	3.40	60	1.4	36		
453DH-75D2	75	48780	14300	4200	7.2	11.6	3.40	60	1.4	36		
503DH-80D2	80	50800	14900	4400	7.5	11.6	3.40	60	1.4	36	CCC	
503DH-83D2	83	53210	15600	4600	8.0	11.6	3.40	60	1.4	36	CCC	
603DH-90D2	90	57290	16800	5100	8.6	11.3	3.30	60	1.4	37	CCC	
603DH-95D2	95	60020	17600	5300	9.1	11.3	3.30	60	1.4	37		

**并联定速型**  
Multiple fixed speed type **R22**

压缩机型号 Model	排量 Displ. (cm <sup>3</sup> /rev)	制冷量 Capacity (BTU/h)	制冷量 Capacity (W)	功率 Power (W)	电流 Current (A)	EER/COP (BTU/W-h)	EER/COP (W/W)	噪音 Sound Level dB(A)	注油量 Oil Charge (L)	重量 Weight (kg)	备注 Remarks
电源制式 Power Source: 3Ph- ( 220/50Hz , 220V/60Hz )						测试电源 Test Voltage: 220V 3 ~ 50Hz					
303DH-47B2Y	47	29500	8650	2700	8.6	10.9	3.20	60	1.8	35	
303DH-50B2Y	50	32200	9440	2950	9.0	10.9	3.20	60	1.8	35	
403DH-64B2Y	64	40240	11800	3600	11.2	11.1	3.25	60	1.8	35	
503DH-80B2Y	80	50800	14900	4400	13.4	11.6	3.40	60	1.8	37	CCC
电源制式 Power Source: 3Ph- ( 380V/50Hz , 380-400V/60Hz )						测试电源 Test Voltage: 380V 3 ~ 50Hz					
303DH-47C2Y	47	29500	8650	2700	5.0	10.9	3.20	60	1.8	34	CCC
303DH-50C2Y	50	32050	9400	2900	5.4	10.9	3.20	60	1.8	34	CCC
353DH-56C2Y	56	34780	10200	3200	6.2	11.1	3.25	60	1.8	34	CCC
403DH-64C2Y	64	40240	11800	3600	6.8	11.1	3.25	60	1.8	34	CCC
453DH-72C2Y	72	46040	13500	4000	7.6	11.6	3.40	60	1.8	35	CCC
453DH-75C2Y	75	48780	14300	4200	7.7	11.6	3.40	60	1.8	35	CCC
503DH-80C2Y	80	50800	14900	4400	8.1	11.6	3.40	60	1.8	35	CCC
503DH-83C2Y	83	53210	15600	4600	8.6	11.6	3.40	60	1.8	35	CCC
603DH-90C2Y	90	57290	16800	5100	9.5	11.3	3.30	60	1.8	36	CCC
603DH-95C2Y	95	60020	17600	5300	10.0	11.3	3.30	60	1.8	36	CCC
电源制式 Power Source: 3Ph- ( 380-415V/50Hz , 440V/60Hz )						测试电源 Test Voltage: 380V 3 ~ 50Hz					
303DH-47D2Y	47	29500	8650	2700	4.8	10.9	3.20	60	1.8	36	CCC
303DH-50D2Y	50	32050	9400	2900	5.3	10.9	3.20	60	1.8	36	
353DH-56D2Y	56	34780	10200	3200	5.7	11.1	3.25	60	1.8	36	CCC
403DH-64D2Y	64	40240	11800	3600	6.3	11.1	3.25	60	1.8	36	CCC
453DH-72D2Y	72	46040	13500	4000	7.0	11.6	3.40	60	1.8	36	
453DH-75D2Y	75	48780	14300	4200	7.2	11.6	3.40	60	1.8	36	
503DH-80D2Y	80	50800	14900	4400	7.5	11.6	3.40	60	1.8	36	CCC
503DH-83D2Y	83	53210	15600	4600	8.0	11.6	3.40	60	1.8	36	CCC
603DH-90D2Y	90	57290	16800	5100	8.6	11.3	3.30	60	1.8	37	CCC
603DH-95D2Y	95	60020	17600	5300	9.1	11.3	3.30	60	1.8	37	

**标准交流变频型**  
Standard AC INV type **R407C**

压缩机型号 Model	排量 Displ. (cm <sup>3</sup> /rev)	转速范围 Rotate Speed Range (Hz)	制冷量 Capacity (BTU/h)	制冷量 Capacity (W)	功率 Power (W)	电流 Current (A)	EER/COP (BTU/W-h)	EER/COP (W/W)	噪音 Sound Level dB(A)	注油量 Oil Charge (L)	重量 Weight (kg)	备注 Remarks
电源制式 Power Source: 3Ph- ( 220/50Hz , 220V/60Hz )												
G303DHV-47B2	47	30-90	37510	11000	3470	19.1	10.9	3.20	60	1.5	36	
电源制式 Power Source: 3Ph- ( 380-415V/50Hz , 440V/60Hz )												
G303DHV-47D2	47	30-90	37510	11000	3450	8.9	10.9	3.20	60	1.5	36	
G401DHV-64D2	64	20-115	63220	18540	5770	10.8	10.9	3.20	66	1.8	36	
G403DHV-64D2	64	30-90	50930	14930	4430	11.8	11.2	3.30	60	1.8	36	
G503DHV-80D2	80	30-90	62740	18400	5460	15.5	11.6	3.40	60	1.8	37	

**并联交流变频型**  
Multiple AC INV type **R407C**

压缩机型号 Model	排量 Displ. (cm <sup>3</sup> /rev)	转速范围 Rotate Speed Range (Hz)	制冷量 Capacity (BTU/h)	制冷量 Capacity (W)	功率 Power (W)	电流 Current (A)	EER/COP (BTU/W-h)	EER/COP (W/W)	噪音 Sound Level dB(A)	注油量 Oil Charge (L)	重量 Weight (kg)	备注 Remarks
电源制式 Power Source: 3Ph- ( 220/50Hz , 220V/60Hz )												
G303DHV-47B2Y	47	30-90	37510	11000	3470	19.1	10.9	3.20	60	1.8	36	
电源制式 Power Source: 3Ph- ( 380-415V/50Hz , 440V/60Hz )												
G303DHV-47D2Y	47	30-90	37510	11000	3450	8.9	10.9	3.20	60	1.8	36	
G401DHV-64D2Y	64	20-115	63220	18540	5770	10.8	10.9	3.20	66	1.8	36	
G403DHV-64D2Y	64	30-90	50930	14930	4430	11.8	11.2	3.30	60	1.8	36	
G503DHV-80D2Y	80	30-90	62740	18400	5460	15.5	11.6	3.40	60	1.8	37	

标准定速型 **R407C**  
Standard fixed speed type

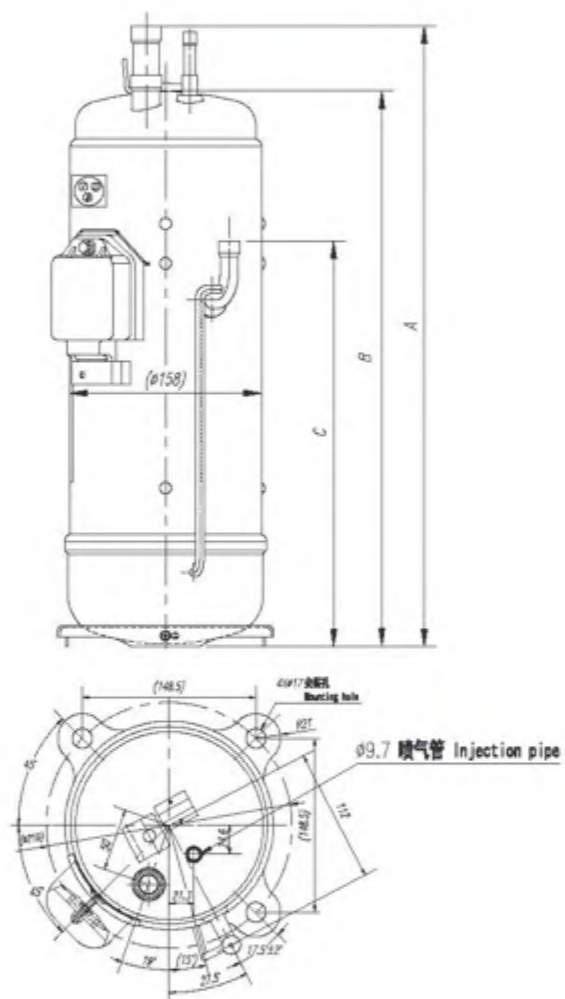
压缩机型号 Model	排量 Displ. (cm <sup>3</sup> /rev)	制冷量 Capacity (BTU/h)	制冷量 Capacity (W)	功率 Power (W)	电流 Current (A)	EER/COP (BTU/W-h)	EER/COP (W/W)	噪音 Sound Level dB(A)	注油量 Oil Charge (L)	重量 Weight (kg)	备注 Remarks
电源制式 Power Source: 1Ph- ( 220-240V , 50Hz )						测试电源 Test Voltage: 220V 1 ~ 50Hz					
G303DH-47Q2	47	30620	8980	2860	12.9	10.7	3.14	60	1.2	36	CCC
G303DH-50Q2	50	33010	9680	3070	13.4	10.7	3.14	60	1.2	37	
G354DH-56Q2	56	35800	10500	3500	16.2	10.2	3.00	60	1.2	37	CCC
G404DH-64Q2	64	41430	12150	4070	18.0	10.2	3.00	60	1.2	37	
电源制式 Power Source: 3Ph- ( 220/50Hz , 220V/60Hz )						测试电源 Test Voltage: 220V 3 ~ 50Hz					
G303DH-47B2	47	30380	8910	2780	8.4	10.9	3.20	60	1.2	35	
G403DH-64B2	64	41120	12060	3710	11.4	11.1	3.25	60	1.2	35	
G503DH-80B2	80	52510	15400	4530	13.6	11.6	3.40	60	1.4	37	
电源制式 Power Source: 3Ph- ( 380V/50Hz , 380-400V/60Hz )						测试电源 Test Voltage: 380V 3 ~ 50Hz					
G303DH-47C2	47	30380	8910	2780	5.2	10.9	3.20	60	1.2	34	
G303DH-50C2	50	33180	9730	2990	6.0	10.9	3.20	60	1.2	34	
G353DH-56C2	56	36520	10710	3300	6.4	11.1	3.25	60	1.2	34	
G403DH-64C2	64	41430	12150	3710	7.0	11.1	3.25	60	1.2	34	
G453DH-72C2	72	47430	13910	4120	7.4	11.6	3.40	60	1.4	35	
G503DH-80C2	80	52340	15350	4530	8.3	11.6	3.40	60	1.4	35	CCC
G503DH-83C2	83	54950	16110	4740	8.9	11.6	3.40	60	1.4	35	CCC
G603DH-90C2	90	58990	17300	5240	9.8	11.3	3.30	60	1.4	37	
G603DH-95C2	95	61720	18100	5460	10.3	11.3	3.30	60	1.4	37	CE
电源制式 Power Source: 3Ph- ( 380-415V/50Hz , 440V/60Hz )						测试电源 Test Voltage: 380V 3 ~ 50Hz					
G303DH-47D2	47	30380	8910	2780	5.0	10.9	3.20	60	1.2	34	CCC/CB
G303DH-50D2	50	33180	9730	2990	5.5	10.9	3.20	60	1.2	34	
G353DH-56D2	56	36520	10710	3300	5.9	11.1	3.25	60	1.2	34	
G403DH-64D2	64	41430	12150	3710	6.5	11.1	3.25	60	1.2	34	CCC
G453DH-72D2	72	47430	13910	4120	7.2	11.6	3.40	60	1.4	35	
G503DH-80D2	80	52340	15350	4530	7.8	11.6	3.40	60	1.4	35	CCC
G503DH-83D2	83	54950	16110	4740	8.2	11.6	3.40	60	1.4	35	CCC
G603DH-90D2	90	58990	17300	5240	8.9	11.3	3.30	60	1.4	37	CB
G603DH-95D2	95	61720	18100	5460	9.4	11.3	3.30	60	1.4	37	

并联定速型 **R407C**  
Multiple fixed speed type

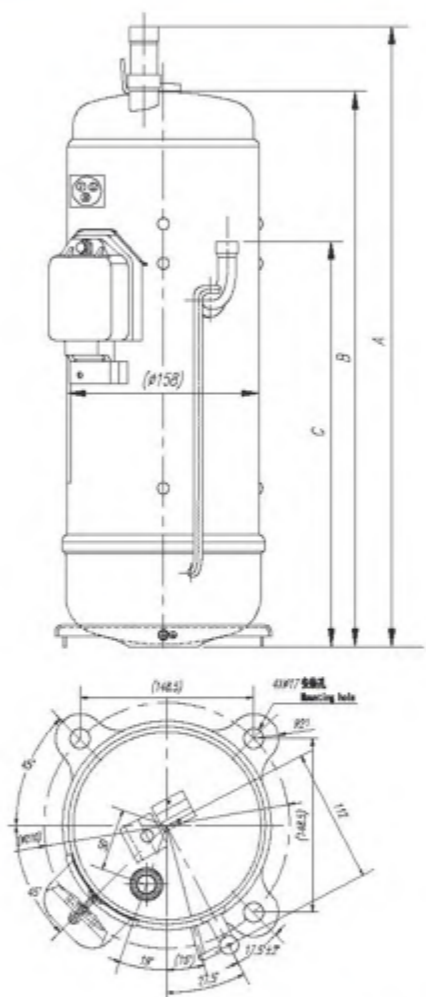
压缩机型号 Model	排量 Displ. (cm <sup>3</sup> /rev)	制冷量 Capacity (BTU/h)	制冷量 Capacity (W)	功率 Power (W)	电流 Current (A)	EER/COP (BTU/W-h)	EER/COP (W/W)	噪音 Sound Level dB(A)	注油量 Oil Charge (L)	重量 Weight (kg)	备注 Remarks
电源制式 Power Source: 3Ph- ( 220/50Hz , 220V/60Hz )						测试电源 Test Voltage: 220V 3 ~ 50Hz					
G303DH-47B2Y	47	30380	8910	2780	8.4	10.9	3.20	60	1.8	35	
G403DH-64B2Y	64	41120	12060	3710	11.4	11.1	3.25	60	1.8	35	
G503DH-80B2Y	80	52510	15400	4530	13.6	11.6	3.40	60	1.8	37	
电源制式 Power Source: 3Ph- ( 380V/50Hz , 380-400V/60Hz )						测试电源 Test Voltage: 380V 3 ~ 50Hz					
G303DH-47C2Y	47	30380	8910	2780	5.2	10.9	3.20	60	1.8	34	
G303DH-50C2Y	50	33180	9730	2990	6.0	10.9	3.20	60	1.8	34	
G353DH-56C2Y	56	36520	10710	3300	6.4	11.1	3.25	60	1.8	34	
G403DH-64C2Y	64	41430	12150	3710	7.0	11.1	3.25	60	1.8	34	
G453DH-72C2Y	72	47430	13910	4120	7.4	11.6	3.40	60	1.8	35	
G503DH-80C2Y	80	52340	15350	4530	8.3	11.6	3.40	60	1.8	35	CCC
G503DH-83C2Y	83	54950	16110	4740	8.9	11.6	3.40	60	1.8	35	CCC
G603DH-90C2Y	90	58990	17300	5240	9.8	11.3	3.30	60	1.8	37	
G603DH-95C2Y	95	61720	18100	5460	10.3	11.3	3.30	60	1.8	37	
电源制式 Power Source: 3Ph- ( 380-415V/50Hz , 440V/60Hz )						测试电源 Test Voltage: 380V 3 ~ 50Hz					
G303DH-47D2Y	47	30380	8910	2780	5.0	10.9	3.20	60	1.8	34	CCC/CB
G303DH-50D2Y	50	33180	9730	2990	5.5	10.9	3.20	60	1.8	34	
G353DH-56D2Y	56	36520	10710	3300	5.9	11.1	3.25	60	1.8	34	CCC
G403DH-64D2Y	64	41430	12150	3710	6.5	11.1	3.25	60	1.8	34	CCC
G453DH-72D2Y	72	47430	13910	4120	7.2	11.6	3.40	60	1.8	35	
G503DH-80D2Y	80	52340	15350	4530	7.8	11.6	3.40	60	1.8	35	CCC
G503DH-83D2Y	83	54950	16110	4740	8.2	11.6	3.40	60	1.8	35	CCC
G603DH-90D2Y	90	58990	17300	5240	8.9	11.3	3.30	60	1.8	37	CB
G603DH-95D2Y	95	61720	18100	5460	9.4	11.3	3.30	60	1.8	37	

# 压缩机外形尺寸 Outline Dimensional Drawing

**R410A高转速标准型压缩机**  
R410A High Speed Standard Type



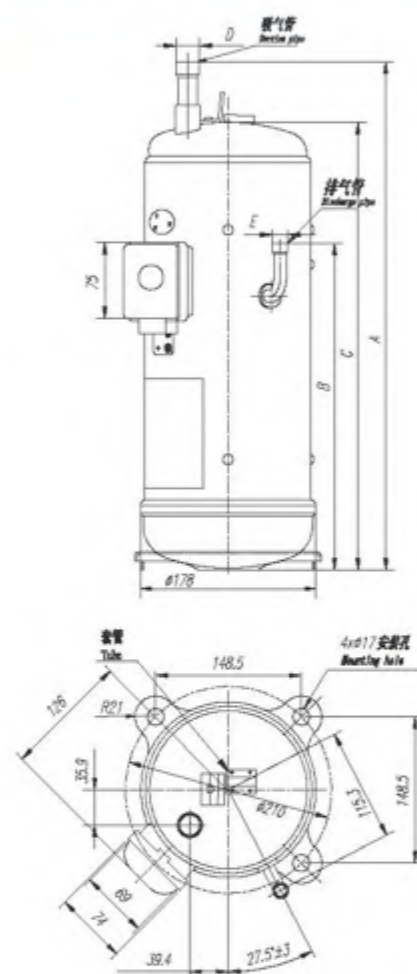
**R410A高转速常规型压缩机**  
R410A High Speed General Type



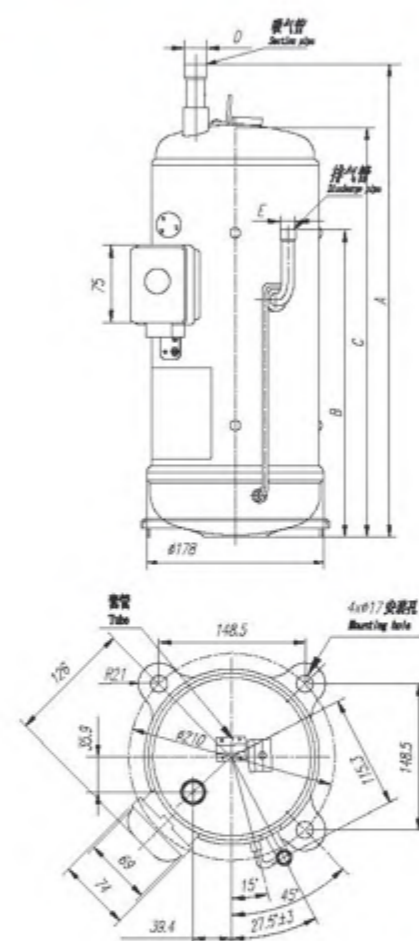
单位(Unit) : mm

压缩机型号(Model)	A	B	C	D	E
标准型压缩机 Standard Type	540	480	362	Ø22.4	Ø16.1
常规型压缩机 General Type	540	480	362	Ø22.4	Ø16.1

**R410A 标准型压缩机**  
R410A Standard Type



**R410A 并联型压缩机**  
R410A Multiple Type

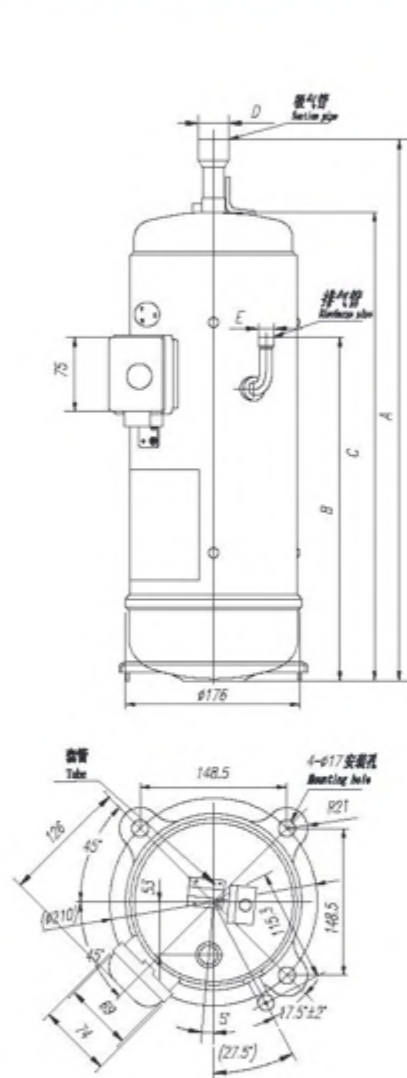


单位(Unit) : mm

压缩机型号(Model)	A	B	C	D	E
E405DHD、E405DHDY	472	290	412	Ø19.3	Ø12.9
E655DHD、E655DHDY	530	346	468	Ø22.4	Ø16.1
E655DHD、E705DHD、E656DHD、 E656DHDY、E706DHD、E706DHDY、 E856DHDY	540	359	480	Ø22.4	Ø16.1
E405DH、E405DHY、E505DHY、E605DHY	510	330	451	Ø19.3	Ø12.9
E505DH、E605DH、E655DH	530	346	468	Ø19.3	Ø12.9
E855DH、E855DHY	552	371	492	Ø22.4	Ø16.1

# 压缩机外形尺寸 Outline Dimensional Drawing

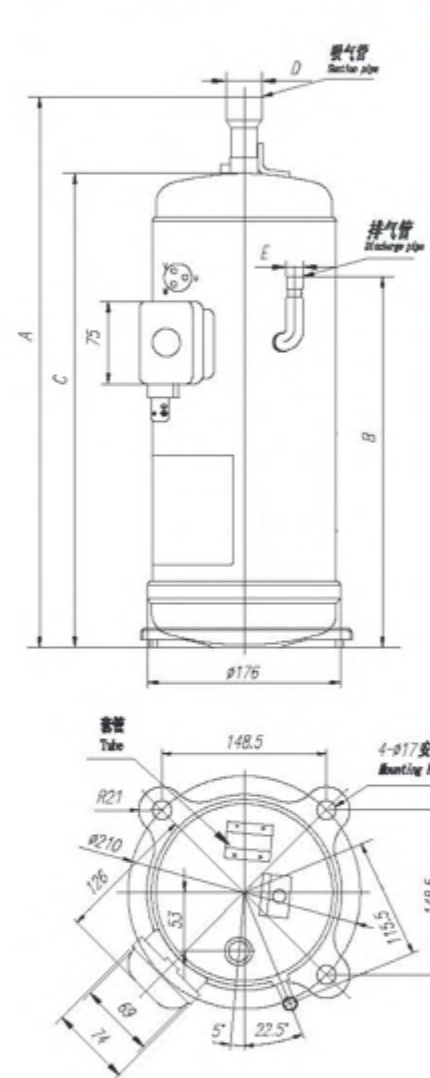
**R22 高效型压缩机**  
R22 High-Efficiency Type



单位(Unit) : mm

压缩机型号(Model)	A	B	C	D	E
F404DH、F454DH	505	329	443	Ø22.4	Ø12.9

**R22/R407C 标准型压缩机**  
R22/R407C Standard Type



单位(Unit) : mm

压缩机型号(Model)	A	B	C	D	E
标准型压缩机 Standard Type	488	340	427	Ø22.4	Ø12.9
并联型压缩机 Multiple Type	503	355	442	Ø22.4	Ø12.9

# 车辆空调用 For Transport



## 产品特性 Product characteristics

### 高度小，重量轻 Small height & Light weight

降低空调的高度与重量，更省空间，更节能  
Reduce air-conditioning height and weight, space-saving and power-saving

### 高压腔结构 High Pressure Type

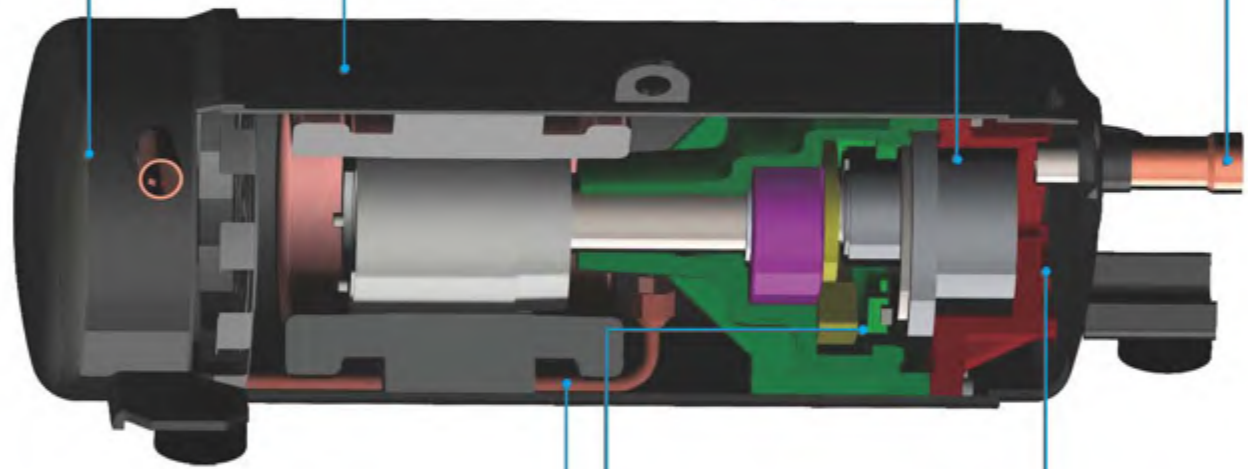
大排气缓冲容积，能降低运行时的气流噪音和振动。  
Big displacement buffering capacity can bring down operation noise and vibration.

### 非接触式油膜密封 Non-contact oil membrane

压缩腔的轴向与径向采用非接触式密封，依靠润滑油形成油膜密封，降低摩擦，提高效率 and 可靠性。  
Non-contact seal adopted in axial and diametrical of compression chamber, oil film seal formed by lubricating oil, so friction diminished and better efficiency and reliability achieved.

### 直接吸气 Direct Suction

吸气预热小，容积效率高  
Little suction preheat, high volumetric efficiency.



### 压差供油 Oil supply by different pressure

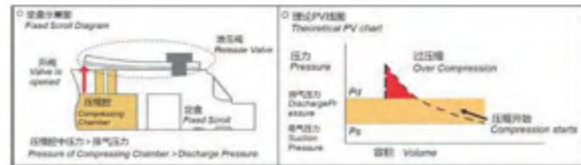
确保压缩机在各个工况下的供油量，保证可靠性。  
Ensure oil quantity in any conditions with higher reliability

### 泄压阀构造 Release-Valve

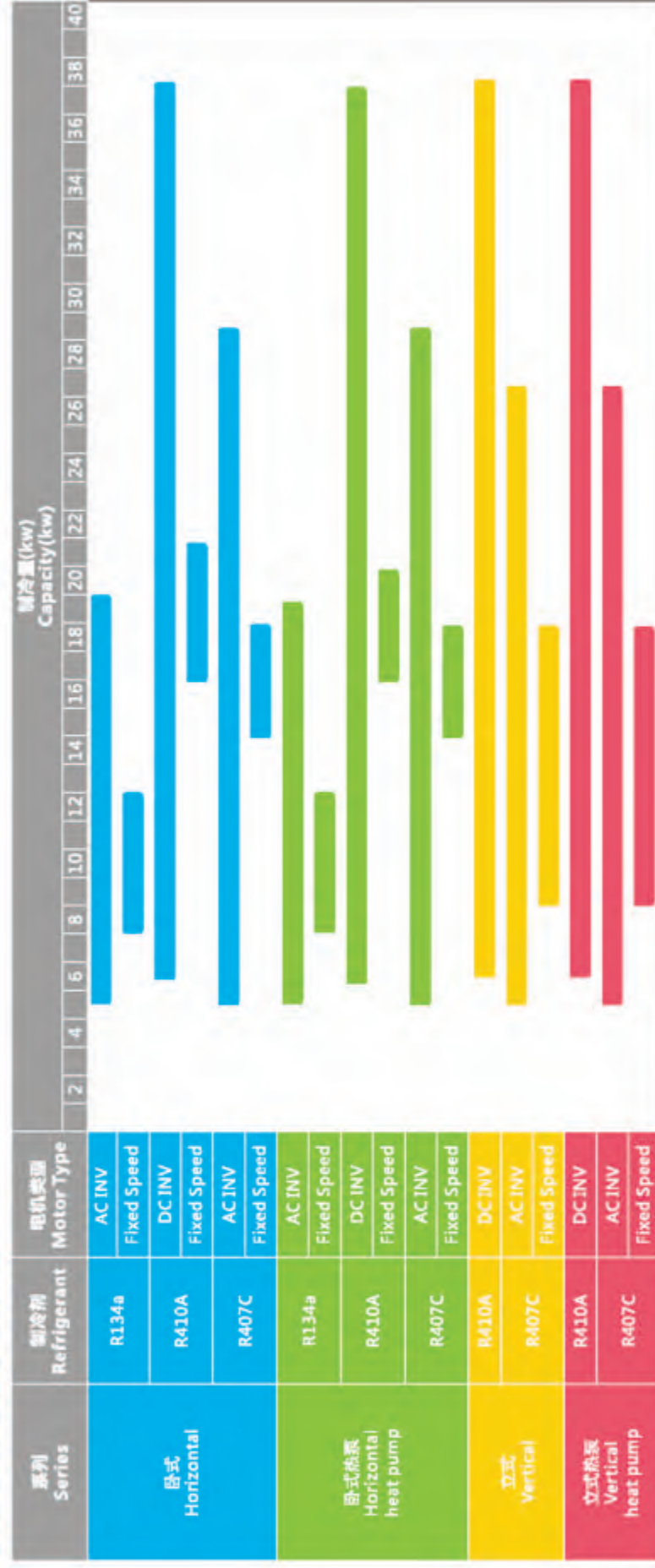
提高部分负荷能效，适应变压比工况，提升压缩机性能。  
Improving partial load energy efficiency, adapting to the condition of variable pressure ratio, upgrading compressor performance.

### 中间压力伺服机构 Mid-pressure server

根据运行压力动态调整中间压力，实现了轴向柔性，优化动定涡旋盘啮合，提高产品性能。  
Adjusting mid-pressure according to operation pressure dynamics, achieving axial flexibility, optimizing orbiting and fixed scroll engagement, improving product performance.



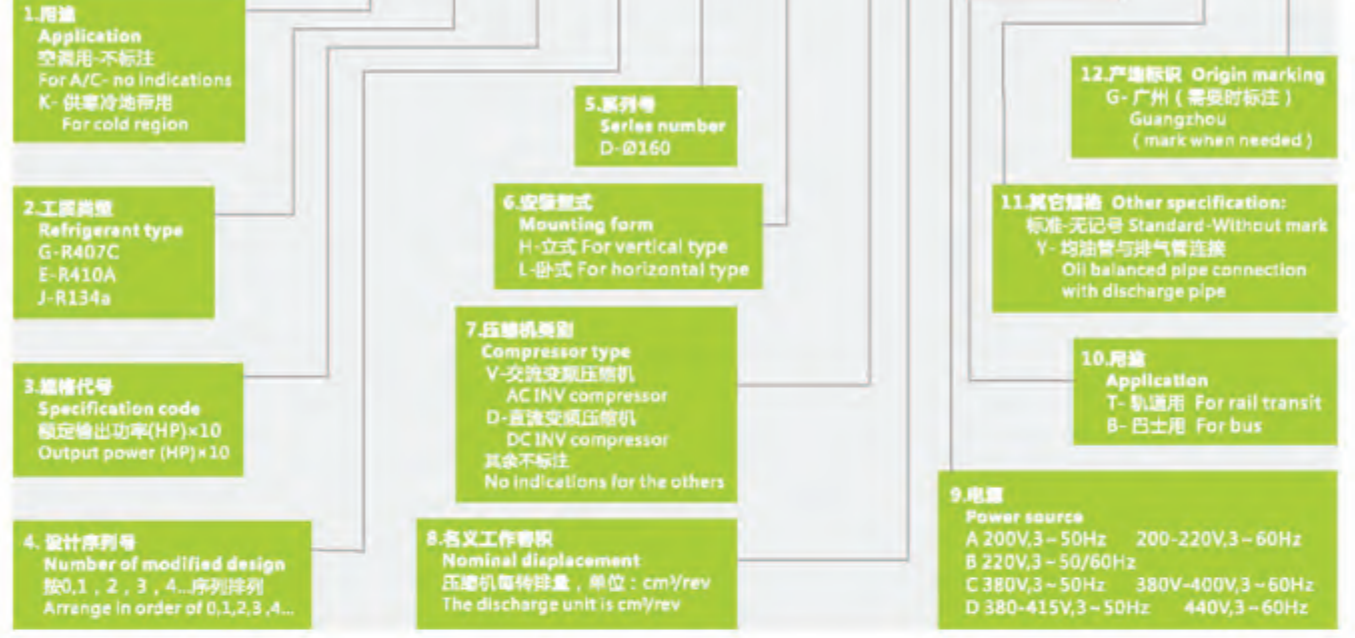
# 产品线 Product line



## 命名规则 (1) / Nomenclature (1)

例Example:

**G 50 3 D H V - 80 D T Y G**



## 命名规则 (2) / Nomenclature (2)

例Example:

**D A 65 T L D G - D1 S 2**



测试标准: AHRI Test Standard: AHRI

制冷剂 Refrigerant	蒸发温度 (°C) Evaporating Temp.	吸气温度 Suction Temp.	冷凝温度 (°C) Condensing Temp.	过冷度 (°C) Subcooling Temp.	环境温度 (°C) Ambient Temp.
R134a	7.2	18.3	54.4	8.3	35
R410A	7.2	18.3	54.4	8.3	35
R407C	7.2	18.3	54.4	8.3	35

备注Remarks:

1. 直流变频压缩机的测试转速均为60rps. Test speed of DC INV compressor is 60rps.
2. 交流变频压缩机的测试转速为60Hz. Test speed of AC INV compressor is 60Hz.
3. R407C制冷剂的测试温度条件为中点方式. The temperature condition of R407C is the middle point.
4. \*代表开发中. \* represents the product is under development.

卧式系列 Horizontal series

轨道用 For rail transit

交流变频型 AC INV Type R134a

压缩机型号 Model	排量 Displ. (cm <sup>3</sup> /rev)	转速范围 Rotate Speed Range (Hz)	制冷量 Capacity (BTU/h)	制冷量 Capacity (W)	功率 Power (W)	电流 Current (A)	EER/COP (BTU/W-h)	EER/COP (W/W)	噪音 Sound Level dB(A)	注油量 Oil Charge (L)	重量 Weight (kg)	备注 Remarks
电源制式 Power Source: 3Ph- ( 380-415V/50Hz , 440V/60Hz )												
J301DLV-64DTG	64	30-90	30290	8870	3060	8.3	9.9	2.90	63	1.7	36	*
J401DLV-80DTG	80	30-90	37780	11070	3690	10.0	10.2	3.00	63	1.7	37	*
J501DLV-95DTG	95	30-90	44850	13140	4380	11.8	10.2	3.00	63	1.7	37	*

直流变频型 DC INV Type R410A

压缩机型号 Model	排量 Displ. (cm <sup>3</sup> /rev)	转速范围 Rotate Speed Range (RPS)	制冷量 Capacity (BTU/h)	制冷量 Capacity (W)	功率 Power (W)	电流 Current (A)	EER/COP (BTU/W-h)	EER/COP (W/W)	噪音 Sound Level dB(A)	注油量 Oil Charge (L)	重量 Weight (kg)	备注 Remarks
电源制式 Power Source: 3Ph- ( 380-415V/50Hz , 440V/60Hz )												
DA42TLDG-D1S2	42	30-90	46930	13760	4370	10.4	10.7	3.15	67	1.5	32	
DA65TLDG-D1S2	65	30-90	71790	21050	6580	14.5	10.9	3.20	72	1.5	39	
DA80TLDG-D1S2	80	30-90	86960	25500	8100	21.3	10.7	3.15	77	1.5	41	

交流变频型 AC INV Type R407C

压缩机型号 Model	排量 Displ. (cm <sup>3</sup> /rev)	转速范围 Rotate Speed Range (Hz)	制冷量 Capacity (BTU/h)	制冷量 Capacity (W)	功率 Power (W)	电流 Current (A)	EER/COP (BTU/W-h)	EER/COP (W/W)	噪音 Sound Level dB(A)	注油量 Oil Charge (L)	重量 Weight (kg)	备注 Remarks
电源制式 Power Source: 3Ph- ( 380-415V/50Hz , 440V/60Hz )												
G301DLV-47DTG	47	30-90	36490	10700	3570	8.9	10.2	3.00	63	1.7	36	
G401DLV-64DTG	64	30-90	49050	14350	4630	11.8	10.6	3.10	63	1.7	37	
G601DLV-90DTG	90	30-90	68700	20100	6700	19.0	10.2	3.00	63	1.7	38	

定速型 Fixed speed Type R134a

压缩机型号 Model	排量 Displ. (cm <sup>3</sup> /rev)	制冷量 Capacity (BTU/h)	制冷量 Capacity (W)	功率 Power (W)	电流 Current (A)	EER/COP (BTU/W-h)	EER/COP (W/W)	噪音 Sound Level dB(A)	注油量 Oil Charge (L)	重量 Weight (kg)	备注 Remarks
电源制式 Power Source: 3Ph- ( 380-415V/50Hz , 440V/60Hz ) 测试电源 Test Voltage: 380V 3 ~ 50Hz											
J301DL-64DTG	64	24740	7250	2500	8.1	9.9	2.90	63	1.7	35	*
J401DL-80DTG	80	31220	9150	3050	9.8	10.2	3.00	63	1.7	36	*
J501DL-95DTG	95	37060	10860	3620	11.3	10.2	3.00	63	1.7	36	*

定速型 Fixed speed Type R410A

压缩机型号 Model	排量 Displ. (cm <sup>3</sup> /rev)	制冷量 Capacity (BTU/h)	制冷量 Capacity (W)	功率 Power (W)	电流 Current (A)	EER/COP (BTU/W-h)	EER/COP (W/W)	噪音 Sound Level dB(A)	注油量 Oil Charge (L)	重量 Weight (kg)	备注 Remarks
电源制式 Power Source: 3Ph- ( 380-415V/50Hz , 440V/60Hz ) 测试电源 Test Voltage: 380V 3 ~ 50Hz											
DA65TLAG-D1S2	65	58320	17100	5700	9.6	10.2	3.00	63	1.5	38	*
DA80TLAG-D1S2	80	71280	20900	7080	12.0	10.1	2.95	63	1.5	43	*

定速型 Fixed speed Type R407C

压缩机型号 Model	排量 Displ. (cm <sup>3</sup> /rev)	制冷量 Capacity (BTU/h)	制冷量 Capacity (W)	功率 Power (W)	电流 Current (A)	EER/COP (BTU/W-h)	EER/COP (W/W)	噪音 Sound Level dB(A)	注油量 Oil Charge (L)	重量 Weight (kg)	备注 Remarks
电源制式 Power Source: 3Ph- ( 220V/50Hz , 220V/60Hz ) 测试电源 Test Voltage: 220V 3 ~ 50Hz											
G501DL-80BTG	80	50570	14830	4910	15.0	10.3	3.00	63	1.7	36	
电源制式 Power Source: 3Ph- ( 380-415V/50Hz , 440V/60Hz ) 测试电源 Test Voltage: 380V 3 ~ 50Hz											
G401DL-64DTG	64	40800	11960	3860	6.7	10.6	3.10	63	1.7	35	
G501DL-80DTG	80	50570	14830	4780	7.8	10.6	3.10	63	1.7	36	
G601DL-90DTG	90	57300	16800	5600	9.5	10.2	3.00	63	1.7	37	



轨道热泵用 For rail transit heat pump

交流变频型 AC INV Type R134a

压缩机型号 Model	排量 Displ. (cm <sup>3</sup> /rev)	转速范围 Rotate Speed Range (Hz)	制冷量 Capacity (BTU/h)	制冷量 Capacity (W)	功率 Power (W)	电流 Current (A)	EER/COP (BTU/W-h)	EER/COP (W/W)	噪音 Sound Level dB(A)	注油量 Oil Charge (L)	重量 Weight (kg)	备注 Remarks
电源制式 Power Source: 3Ph- ( 380-415V/50Hz , 440V/60Hz )												
KJ301DLV-64DTG	64	30-90	30290	8870	3060	8.3	9.9	2.90	63	1.7	36	*
KJ401DLV-80DTG	80	30-90	37780	11070	3690	10.0	10.2	3.00	63	1.7	37	*
KJ501DLV-95DTG	95	30-90	44850	13140	4380	11.8	10.2	3.00	63	1.7	37	*

直流变频型 DC INV Type R410A

压缩机型号 Model	排量 Displ. (cm <sup>3</sup> /rev)	转速范围 Rotate Speed Range (RPS)	制冷量 Capacity (BTU/h)	制冷量 Capacity (W)	功率 Power (W)	电流 Current (A)	EER/COP (BTU/W-h)	EER/COP (W/W)	噪音 Sound Level dB(A)	注油量 Oil Charge (L)	重量 Weight (kg)	备注 Remarks
电源制式 Power Source: 3Ph- ( 380-415V/50Hz , 440V/60Hz )												
DA42TLDG-D1K2	42	30-90	46930	13760	4370	10.4	10.7	3.15	67	1.5	32	
DA65TLDG-D1K2	65	30-90	71790	21050	6580	14.5	10.9	3.20	72	1.5	39	
DA80TLDG-D1K2	80	30-90	86960	25500	8100	21.3	10.7	3.15	77	1.5	41	

交流变频型 AC INV Type R407C

压缩机型号 Model	排量 Displ. (cm <sup>3</sup> /rev)	转速范围 Rotate Speed Range (Hz)	制冷量 Capacity (BTU/h)	制冷量 Capacity (W)	功率 Power (W)	电流 Current (A)	EER/COP (BTU/W-h)	EER/COP (W/W)	噪音 Sound Level dB(A)	注油量 Oil Charge (L)	重量 Weight (kg)	备注 Remarks
电源制式 Power Source: 3Ph- ( 380-415V/50Hz , 440V/60Hz )												
KG301DLV-47DTG	47	30-90	36490	10700	3570	8.9	10.2	3.00	63	1.7	36	
KG401DLV-64DTG	64	30-90	49050	14350	4630	11.8	10.6	3.10	63	1.7	37	
KG601DLV-90DTG	90	30-90	68700	20100	6700	19.0	10.2	3.00	63	1.7	38	

定速型 Fixed speed Type R134a

压缩机型号 Model	排量 Displ. (cm <sup>3</sup> /rev)	制冷量 Capacity (BTU/h)	制冷量 Capacity (W)	功率 Power (W)	电流 Current (A)	EER/COP (BTU/W-h)	EER/COP (W/W)	噪音 Sound Level dB(A)	注油量 Oil Charge (L)	重量 Weight (kg)	备注 Remarks
电源制式 Power Source: 3Ph- ( 380-415V/50Hz , 440V/60Hz ) 测试电源 Test Voltage: 380V 3 ~ 50Hz											
KJ301DL-64DTG	64	24740	7250	2500	8.1	9.9	2.90	63	1.7	35	*
KJ401DL-80DTG	80	31220	9150	3050	9.8	10.2	3.00	63	1.7	36	*
KJ501DL-95DTG	95	37060	10860	3620	11.3	10.2	3.00	63	1.7	36	*

定速型 Fixed speed Type R410A

压缩机型号 Model	排量 Displ. (cm <sup>3</sup> /rev)	制冷量 Capacity (BTU/h)	制冷量 Capacity (W)	功率 Power (W)	电流 Current (A)	EER/COP (BTU/W-h)	EER/COP (W/W)	噪音 Sound Level dB(A)	注油量 Oil Charge (L)	重量 Weight (kg)	备注 Remarks
电源制式 Power Source: 3Ph- ( 380-415V/50Hz , 440V/60Hz ) 测试电源 Test Voltage: 380V 3 ~ 50Hz											
DA65TLAG-D1K2	65	58320	17100	5700	9.6	10.2	3.00	63	1.5	38	*
DA80TLAG-D1K2	80	71280	20900	7080	12.0	10.1	2.95	63	1.5	43	*

定速型 Fixed speed Type R407C

压缩机型号 Model	排量 Displ. (cm <sup>3</sup> /rev)	制冷量 Capacity (BTU/h)	制冷量 Capacity (W)	功率 Power (W)	电流 Current (A)	EER/COP (BTU/W-h)	EER/COP (W/W)	噪音 Sound Level dB(A)	注油量 Oil Charge (L)	重量 Weight (kg)	备注 Remarks
电源制式 Power Source: 3Ph- ( 220V/50Hz , 220V/60Hz ) 测试电源 Test Voltage: 220V 3 ~ 50Hz											
KG501DL-80BTG	80	50570	14830	4910	15.0	10.3	3.00	63	1.7	36	
电源制式 Power Source: 3Ph- ( 380-415V/50Hz , 440V/60Hz ) 测试电源 Test Voltage: 380V 3 ~ 50Hz											
KG401DL-64DTG	64	40800	11960	3860	6.7	10.6	3.10	63	1.7	35	
KG501DL-80DTG	80	50570	14830	4780	7.8	10.6	3.10	63	1.7	36	
KG601DL-90DTG	90	57300	16800	5600	9.5	10.2	3.00	63	1.7	37	

巴士用 For bus

交流变频型 AC INV Type R134a

压缩机型号 Model	排量 Displ. (cm <sup>3</sup> /rev)	转速范围 Rotate Speed Range (Hz)	制冷量 Capacity (BTU/h)	制冷量 Capacity (W)	功率 Power (W)	电流 Current (A)	EER/COP (BTU/W-h)	EER/COP (W/W)	噪音 Sound Level dB(A)	注油量 Oil Charge (L)	重量 Weight (kg)	备注 Remarks
电源制式 Power Source: 3Ph- ( 380-415V/50Hz , 440V/60Hz )												
J301DLV-64DBG	64	30-90	30290	8870	3060	8.0	9.9	2.90	63	1.7	36	*
J401DLV-80DBG	80	30-90	37780	11070	3690	10.0	10.2	3.00	63	1.7	37	*
J501DLV-95DBG	95	30-90	44950	13170	4380	11.8	10.2	3.00	63	1.7	37	*

直流变频型 DC INV Type R410A

压缩机型号 Model	排量 Displ. (cm <sup>3</sup> /rev)	转速范围 Rotate Speed Range (RPS)	制冷量 Capacity (BTU/h)	制冷量 Capacity (W)	功率 Power (W)	电流 Current (A)	EER/COP (BTU/W-h)	EER/COP (W/W)	噪音 Sound Level dB(A)	注油量 Oil Charge (L)	重量 Weight (kg)	备注 Remarks
电源制式 Power Source: 3Ph- ( 380-415V/50Hz , 440V/60Hz )												
DA42BLDG-D1S2	42	30-90	46930	13760	4370	10.4	10.7	3.15	67	1.5	32	
DA65BLDG-D1S2	65	30-90	71790	21050	6580	14.5	10.9	3.20	72	1.5	39	
DA80BLDG-D1S2	80	30-90	86960	25500	8100	21.3	10.7	3.15	77	1.5	41	

交流变频型 AC INV Type R407C

压缩机型号 Model	排量 Displ. (cm <sup>3</sup> /rev)	转速范围 Rotate Speed Range (Hz)	制冷量 Capacity (BTU/h)	制冷量 Capacity (W)	功率 Power (W)	电流 Current (A)	EER/COP (BTU/W-h)	EER/COP (W/W)	噪音 Sound Level dB(A)	注油量 Oil Charge (L)	重量 Weight (kg)	备注 Remarks
电源制式 Power Source: 3Ph- ( 380-415V/50Hz , 440V/60Hz )												
G301DLV-47DBG	47	30-90	36490	10700	3570	8.9	10.2	3.00	63	1.7	36	
G401DLV-64DBG	64	30-90	49050	14350	4630	11.8	10.6	3.10	63	1.7	37	
G601DLV-90DBG	90	30-90	68700	20100	6700	19.0	10.2	3.00	63	1.7	38	

定速型 Fixed speed Type R134a

压缩机型号 Model	排量 Displ. (cm <sup>3</sup> /rev)	制冷量 Capacity (BTU/h)	制冷量 Capacity (W)	功率 Power (W)	电流 Current (A)	EER/COP (BTU/W-h)	EER/COP (W/W)	噪音 Sound Level dB(A)	注油量 Oil Charge (L)	重量 Weight (kg)	备注 Remarks
电源制式 Power Source: 3Ph- ( 380-415V/50Hz , 440V/60Hz ) 测试电源 Test Voltage: 380V 3 ~ 50Hz											
J301DL-64DBG	64	24740	7250	2500	8.1	9.9	2.90	63	1.7	35	*
J401DL-80DBG	80	31220	9150	3050	9.8	10.2	3.00	63	1.7	36	*
J501DL-95DBG	95	37060	10860	3620	11.3	10.2	3.00	63	1.7	36	*

定速型 Fixed speed Type R410A

压缩机型号 Model	排量 Displ. (cm <sup>3</sup> /rev)	制冷量 Capacity (BTU/h)	制冷量 Capacity (W)	功率 Power (W)	电流 Current (A)	EER/COP (BTU/W-h)	EER/COP (W/W)	噪音 Sound Level dB(A)	注油量 Oil Charge (L)	重量 Weight (kg)	备注 Remarks
电源制式 Power Source: 3Ph- ( 380-415V/50Hz , 440V/60Hz ) 测试电源 Test Voltage: 380V 3 ~ 50Hz											
DA65BLAG-D1S2	65	58320	17100	5700	9.6	10.2	3.00	63	1.5	38	*
DA80BLAG-D1S2	80	71280	20900	7080	12.0	10.1	2.95	63	1.5	43	*

定速型 Fixed speed Type R407C

压缩机型号 Model	排量 Displ. (cm <sup>3</sup> /rev)	制冷量 Capacity (BTU/h)	制冷量 Capacity (W)	功率 Power (W)	电流 Current (A)	EER/COP (BTU/W-h)	EER/COP (W/W)	噪音 Sound Level dB(A)	注油量 Oil Charge (L)	重量 Weight (kg)	备注 Remarks
电源制式 Power Source: 3Ph- ( 220V/50Hz , 220V/60Hz ) 测试电源 Test Voltage: 220V 3 ~ 50Hz											
G501DL-808BG	80	50570	14830	4910	15.0	10.3	3.00	63	1.7	36	
电源制式 Power Source: 3Ph- ( 380-415V/50Hz , 440V/60Hz ) 测试电源 Test Voltage: 380V 3 ~ 50Hz											
G401DL-64DBG	64	40800	11960	3860	6.7	10.6	3.10	63	1.7	35	
G501DL-80DBG	80	50570	14830	4780	7.8	10.6	3.10	63	1.7	36	
G601DL-90DBG	90	57300	16800	5600	9.5	10.2	3.00	63	1.7	37	

巴士热泵用 For bus heat pump

交流变频型 AC INV Type R134a

压缩机型号 Model	排量 Displ. (cm <sup>3</sup> /rev)	转速范围 Rotate Speed Range (Hz)	制冷量 Capacity (BTU/h)	制冷量 Capacity (W)	功率 Power (W)	电流 Current (A)	EER/COP (BTU/W-h)	EER/COP (W/W)	噪音 Sound Level dB(A)	注油量 Oil Charge (L)	重量 Weight (kg)	备注 Remarks
电源制式 Power Source: 3Ph- ( 380-415V/50Hz , 440V/60Hz )												
KJ301DLV-64DBG	64	30-90	30290	8870	3060	8.0	9.9	2.90	63	1.7	36	*
KJ401DLV-80DBG	80	30-90	37780	11070	3690	10.0	10.2	3.00	63	1.7	37	*
KJ501DLV-95DBG	95	30-90	44950	13170	4380	11.8	10.2	3.00	63	1.7	37	*

直流变频型 DC INV Type R410A

压缩机型号 Model	排量 Displ. (cm <sup>3</sup> /rev)	转速范围 Rotate Speed Range (RPS)	制冷量 Capacity (BTU/h)	制冷量 Capacity (W)	功率 Power (W)	电流 Current (A)	EER/COP (BTU/W-h)	EER/COP (W/W)	噪音 Sound Level dB(A)	注油量 Oil Charge (L)	重量 Weight (kg)	备注 Remarks
电源制式 Power Source: 3Ph- ( 380-415V/50Hz , 440V/60Hz )												
DA42BLDG-D1K2	42	30-90	46930	13760	4370	10.4	10.7	3.15	67	1.5	32	*
DA65BLDG-D1K2	65	30-90	71790	21050	6580	14.5	10.9	3.20	72	1.5	39	*
DA80BLDG-D1K2	80	30-90	86960	25500	8100	21.3	10.7	3.15	77	1.5	41	*

交流变频型 AC INV Type R407C

压缩机型号 Model	排量 Displ. (cm <sup>3</sup> /rev)	转速范围 Rotate Speed Range (Hz)	制冷量 Capacity (BTU/h)	制冷量 Capacity (W)	功率 Power (W)	电流 Current (A)	EER/COP (BTU/W-h)	EER/COP (W/W)	噪音 Sound Level dB(A)	注油量 Oil Charge (L)	重量 Weight (kg)	备注 Remarks
电源制式 Power Source: 3Ph- ( 380-415V/50Hz , 440V/60Hz )												
KG301DLV-47DBG	47	30-90	36490	10700	3570	8.9	10.2	3.00	63	1.7	36	
KG401DLV-64DBG	64	30-90	49050	14350	4630	11.8	10.6	3.10	63	1.7	37	
KG601DLV-90DBG	90	30-90	68700	20100	6700	19.0	10.2	3.00	63	1.7	38	

定速型 Fixed speed Type R134a

压缩机型号 Model	排量 Displ. (cm <sup>3</sup> /rev)	制冷量 Capacity (BTU/h)	制冷量 Capacity (W)	功率 Power (W)	电流 Current (A)	EER/COP (BTU/W-h)	EER/COP (W/W)	噪音 Sound Level dB(A)	注油量 Oil Charge (L)	重量 Weight (kg)	备注 Remarks	
电源制式 Power Source: 3Ph- ( 380-415V/50Hz , 440V/60Hz ) 测试电源 Test Voltage: 380V 3 ~ 50Hz												
KJ301DL-64DBG	64	24740	7250	2500	8.1	9.9	2.90	63	1.7	35	*	
KJ401DL-80DBG	80	31220	9150	3050	9.8	10.2	3.00	63	1.7	36	*	
KJ501DL-95DBG	95	37060	10860	3620	11.3	10.2	3.00	63	1.7	36	*	

定速型 Fixed speed Type R410A

压缩机型号 Model	排量 Displ. (cm <sup>3</sup> /rev)	制冷量 Capacity (BTU/h)	制冷量 Capacity (W)	功率 Power (W)	电流 Current (A)	EER/COP (BTU/W-h)	EER/COP (W/W)	噪音 Sound Level dB(A)	注油量 Oil Charge (L)	重量 Weight (kg)	备注 Remarks	
电源制式 Power Source: 3Ph- ( 380-415V/50Hz , 440V/60Hz ) 测试电源 Test Voltage: 380V 3 ~ 50Hz												
DA65BLAG-D1K2	65	58320	17100	5700	9.6	10.2	3.00	63	1.5	38	*	
DA80BLAG-D1K2	80	71280	20900	7080	12.0	10.1	2.95	63	1.5	43	*	

定速型 Fixed speed Type R407C

压缩机型号 Model	排量 Displ. (cm <sup>3</sup> /rev)	制冷量 Capacity (BTU/h)	制冷量 Capacity (W)	功率 Power (W)	电流 Current (A)	EER/COP (BTU/W-h)	EER/COP (W/W)	噪音 Sound Level dB(A)	注油量 Oil Charge (L)	重量 Weight (kg)	备注 Remarks	
电源制式 Power Source: 3Ph- ( 220V/50Hz , 220V/60Hz ) 测试电源 Test Voltage: 220V 3 ~ 50Hz												
KG501DL-80B8G	80	50570	14830	4910	15.0	10.3	3.00	63	1.7	36		
电源制式 Power Source: 3Ph- ( 380-415V/50Hz , 440V/60Hz ) 测试电源 Test Voltage: 380V 3 ~ 50Hz												
KG401DL-64DBG	64	40800	11960	3860	6.7	10.6	3.10	63	1.7	35		
KG501DL-80DBG	80	50570	14830	4780	7.8	10.6	3.10	63	1.7	36		
KG601DL-90DBG	90	57300	16800	5600	9.5	10.2	3.00	63	1.7	37		

## 立式系列 Vertical series

### 标准直流变频型 Standard DC INV Type

R410A

压缩机型号 Model	排量 Displ. (cm <sup>3</sup> /rev)	转速范围 Rotate Speed Range (RPS)	制冷量 Capacity (BTU/h)	制冷量 Capacity (W)	功率 Power (W)	EER/COP (BTU/W-h)	EER/COP (W/W)	噪音 Sound Level dB(A)	注油量 Oil Charge (L)	重量 Weight (kg)	备注 Remarks
电源制式 Power Source: 3Ph- ( 380-415V/50Hz , 440V/60Hz )											
E405DHD-42DTG	42	30-90	46940	13760	4300	10.9	3.20	67	1.2	33	CQC/UL
E655DHD-65DTG	65	20-100	73380	21500	6600	11.1	3.25	67	1.9	39	CQC/UL/CE/CB
E856DHD-80DTG	80	10-100	88000	25920	8100	10.9	3.20	72	1.9	40	CQC/UL/CB
电源制式 Power Source: 3Ph- ( 200V/50Hz , 200-220V/60Hz )											
E405DHD-42ATG	42	30-90	46940	13760	4300	10.9	3.20	67	1.2	33	UL
E655DHD-65ATG	65	20-100	73380	21500	6600	11.1	3.25	67	1.9	39	UL

### 并联直流变频型 Multiple DC INV Type

R410A

压缩机型号 Model	排量 Displ. (cm <sup>3</sup> /rev)	转速范围 Rotate Speed Range (RPS)	制冷量 Capacity (BTU/h)	制冷量 Capacity (W)	功率 Power (W)	EER/COP (BTU/W-h)	EER/COP (W/W)	噪音 Sound Level dB(A)	注油量 Oil Charge (L)	重量 Weight (kg)	备注 Remarks
电源制式 Power Source: 3Ph- ( 380-415V/50Hz , 440V/60Hz )											
E405DHD-42DTYG	42	30-90	46940	13760	4300	10.9	3.20	67	0.5	32	CQC/UL
E655DHD-65DTYG	65	20-100	73380	21500	6600	11.1	3.25	67	0.5	37	CQC/UL/CE/CB
E856DHD-80DTYG	80	10-100	88000	25920	8100	10.9	3.20	72	1.1	40	CQC/UL/CB
电源制式 Power Source: 3Ph- ( 200V/50Hz , 200-220V/60Hz )											
E405DHD-42ATYG	42	30-90	46940	13760	4300	10.9	3.20	67	0.5	32	UL
E655DHD-65ATYG	65	20-100	73380	21500	6600	11.1	3.25	67	0.5	37	UL

### 并联交流变频型 Multiple AC INV Type

R407C

地铁向  
For subway

压缩机型号 Model	排量 Displ. (cm <sup>3</sup> /rev)	转速范围 Rotate Speed Range (Hz)	制冷量 Capacity (BTU/h)	制冷量 Capacity (W)	功率 Power (W)	电流 Current (A)	EER/COP (BTU/W-h)	EER/COP (W/W)	噪音 Sound Level dB(A)	注油量 Oil Charge (L)	重量 Weight (kg)	备注 Remarks
电源制式 Power Source: 3Ph- ( 380-415V/50Hz , 440V/60Hz )												
G303DHV-47DTYG	47	30-90	36490	10700	3450	8.9	10.6	3.10	60	1.8	36	
G403DHV-64DTYG	64	30-90	47880	14040	4530	11.8	10.6	3.10	60	1.8	36	
G503DHV-80DTYG	80	30-90	60710	17800	5740	15.5	10.6	3.10	60	1.8	37	

### 并联交流变频型 Multiple AC INV Type

R407C

铁路向  
For railway

压缩机型号 Model	排量 Displ. (cm <sup>3</sup> /rev)	转速范围 Rotate Speed Range (Hz)	制冷量 Capacity (BTU/h)	制冷量 Capacity (W)	功率 Power (W)	电流 Current (A)	EER/COP (BTU/W-h)	EER/COP (W/W)	噪音 Sound Level dB(A)	注油量 Oil Charge (L)	重量 Weight (kg)	备注 Remarks
电源制式 Power Source: 3Ph- ( 380-415V/50Hz , 440V/60Hz )												
G304DHV-47DTYG	47	30-90	36490	10700	3450	8.9	10.6	3.10	60	1.8	36	
G404DHV-64DTYG	64	30-90	47880	14040	4530	11.8	10.6	3.10	60	1.8	36	
G504DHV-80DTYG	80	30-90	60710	17800	5740	15.5	10.6	3.10	60	1.8	37	
G604DHV-90DTYG	90	30-90	68700	20100	6700	19.0	10.2	3.00	60	1.8	37	*

### 并联定速型 Multiple fixed speed Type

R407C

地铁向  
For subway

压缩机型号 Model	排量 Displ. (cm <sup>3</sup> /rev)	制冷量 Capacity (BTU/h)	制冷量 Capacity (W)	功率 Power (W)	电流 Current (A)	EER/COP (BTU/W-h)	EER/COP (W/W)	噪音 Sound Level dB(A)	注油量 Oil Charge (L)	重量 Weight (kg)	备注 Remarks
电源制式 Power Source: 3Ph- ( 380-415V/50Hz , 440V/60Hz ) 测试电源 Test Voltage: 380V 3 ~ 50Hz											
G303DH-47DTYG	47	30390	8910	2780	5	10.9	3.20	60	1.4	34	CCC
G353DH-56DTYG	56	36530	10710	3350	5.9	10.9	3.20	60	1.4	34	CCC
G403DH-64DTYG	64	41130	12060	3770	6.5	10.9	3.20	60	1.4	34	CCC
G503DH-80DTYG	80	52520	15400	4780	7.8	10.9	3.20	60	1.8	35	CCC
G603DH-90DTYG	90	59000	17300	5580	8.9	10.6	3.10	60	1.8	36	CQC

### 并联定速型 Multiple fixed speed Type

R407C

铁路向  
For railway

压缩机型号 Model	排量 Displ. (cm <sup>3</sup> /rev)	制冷量 Capacity (BTU/h)	制冷量 Capacity (W)	功率 Power (W)	电流 Current (A)	EER/COP (BTU/W-h)	EER/COP (W/W)	噪音 Sound Level dB(A)	注油量 Oil Charge (L)	重量 Weight (kg)	备注 Remarks
电源制式 Power Source: 3Ph- ( 380-415V/50Hz , 440V/60Hz ) 测试电源 Test Voltage: 380V 3 ~ 50Hz											
G304DH-47DTYG	47	30390	8910	2780	5	10.9	3.20	60	1.4	34	CCC
G354DH-56DTYG	56	36530	10710	3350	5.9	10.9	3.20	60	1.4	34	CCC
G404DH-64DTYG	64	41130	12060	3770	6.5	10.9	3.20	60	1.4	34	CCC
G504DH-80DTYG	80	52520	15400	4780	7.8	10.9	3.20	60	1.8	35	CCC
G604DH-90DTYG	90	59000	17300	5580	8.9	10.6	3.10	60	1.8	36	

## 立式热泵系列 Vertical heat pump series

### 标准直流变频型 Standard DC INV Type

R410A

压缩机型号 Model	排量 Displ. (cm <sup>3</sup> /rev)	转速范围 Rotate Speed Range (RPS)	制冷量 Capacity (BTU/h)	制冷量 Capacity (W)	功率 Power (W)	EER/COP (BTU/W-h)	EER/COP (W/W)	噪音 Sound Level dB(A)	注油量 Oil Charge (L)	重量 Weight (kg)	备注 Remarks
电源制式 Power Source: 3Ph- ( 380-415V/50Hz , 440V/60Hz )											
KE40SDHD-42DTG	42	30-90	46940	13760	4300	10.9	3.20	67	1.2	33	CQC/UL
KE65SDHD-65DTG	65	20-100	73380	21500	6600	11.1	3.25	67	1.9	39	CQC/UL/CE/CB
KE85SDHD-80DTG	80	10-100	88000	25920	8100	10.9	3.20	72	1.9	40	CQC/UL/CA
电源制式 Power Source: 3Ph- ( 200V/50Hz , 200-220V/60Hz )											
KE40SDHD-42ATG	42	30-90	46940	13760	4300	10.9	3.20	67	1.2	33	UL
KE65SDHD-65ATG	65	20-100	73380	21500	6600	11.1	3.25	67	1.9	39	UL

### 并联直流变频型 Multiple DC INV Type

R410A

压缩机型号 Model	排量 Displ. (cm <sup>3</sup> /rev)	转速范围 Rotate Speed Range (RPS)	制冷量 Capacity (BTU/h)	制冷量 Capacity (W)	功率 Power (W)	EER/COP (BTU/W-h)	EER/COP (W/W)	噪音 Sound Level dB(A)	注油量 Oil Charge (L)	重量 Weight (kg)	备注 Remarks
电源制式 Power Source: 3Ph- ( 380-415V/50Hz , 440V/60Hz )											
KE40SDHD-42DTYG	42	30-90	46940	13760	4300	10.9	3.20	67	0.5	32	CQC/UL
KE65SDHD-65DTYG	65	20-100	73380	21500	6600	11.1	3.25	67	0.5	37	CQC/UL/CE/CB
KE85SDHD-80DTYG	80	10-100	88000	25920	8100	10.9	3.20	72	1.1	40	CQC/UL/CB
电源制式 Power Source: 3Ph- ( 200V/50Hz , 200-220V/60Hz )											
KE40SDHD-42ATYG	42	30-90	46940	13760	4300	10.9	3.20	67	0.5	32	UL
KE65SDHD-65ATYG	65	20-100	73380	21500	6600	11.1	3.25	67	0.5	37	UL

### 并联交流变频型 Multiple AC INV Type

R407C

铁路向  
For railway

压缩机型号 Model	排量 Displ. (cm <sup>3</sup> /rev)	转速范围 Rotate Speed Range (Hz)	制冷量 Capacity (BTU/h)	制冷量 Capacity (W)	功率 Power (W)	电流 Current (A)	EER/COP (BTU/W-h)	EER/COP (W/W)	噪音 Sound Level dB(A)	注油量 Oil Charge (L)	重量 Weight (kg)	备注 Remarks
电源制式 Power Source: 3Ph- ( 380-415V/50Hz , 440V/60Hz )												
KG304DHV-47DTYG	47	30-90	36490	10700	3450	8.9	10.6	3.10	60	1.8	36	
KG404DHV-64DTYG	64	30-90	47880	14040	4530	11.8	10.6	3.10	60	1.8	36	
KG504DHV-80DTYG	80	30-90	60710	17800	5740	15.5	10.6	3.10	60	1.8	37	
KG604DHV-90DTYG	90	30-90	68700	20100	6700	19.0	10.2	3.00	60	1.8	37	*

### 并联定速型 Multiple fixed speed Type

R407C

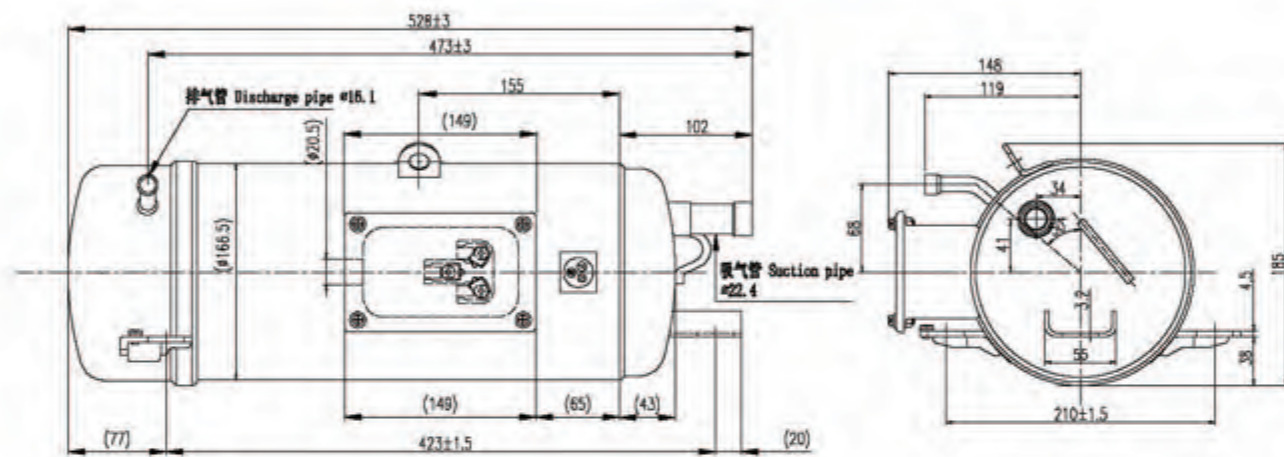
铁路向  
For railway

压缩机型号 Model	排量 Displ. (cm <sup>3</sup> /rev)	制冷量 Capacity (BTU/h)	制冷量 Capacity (W)	功率 Power (W)	电流 Current (A)	EER/COP (BTU/W-h)	EER/COP (W/W)	噪音 Sound Level dB(A)	注油量 Oil Charge (L)	重量 Weight (kg)	备注 Remarks
电源制式 Power Source: 3Ph- ( 380-415V/50Hz , 440V/60Hz )						测试电源 Test Voltage: 380V 3 ~ 50Hz					
KG304DH-47DTYG	47	30390	8910	2780	5	10.9	3.20	60	1.8	34	CCC
KG354DH-56DTYG	56	36530	10710	3350	5.9	10.9	3.20	60	1.8	34	CCC
KG404DH-64DTYG	64	41130	12060	3770	6.5	10.9	3.20	60	1.8	34	CCC
KG504DH-80DTYG	80	52520	15400	4780	7.8	10.9	3.20	60	1.8	35	CCC
KG604DH-90DTYG	90	59000	17300	5580	8.9	10.6	3.10	60	1.8	36	

# 压缩机外形尺寸 Outline Dimensional Drawing

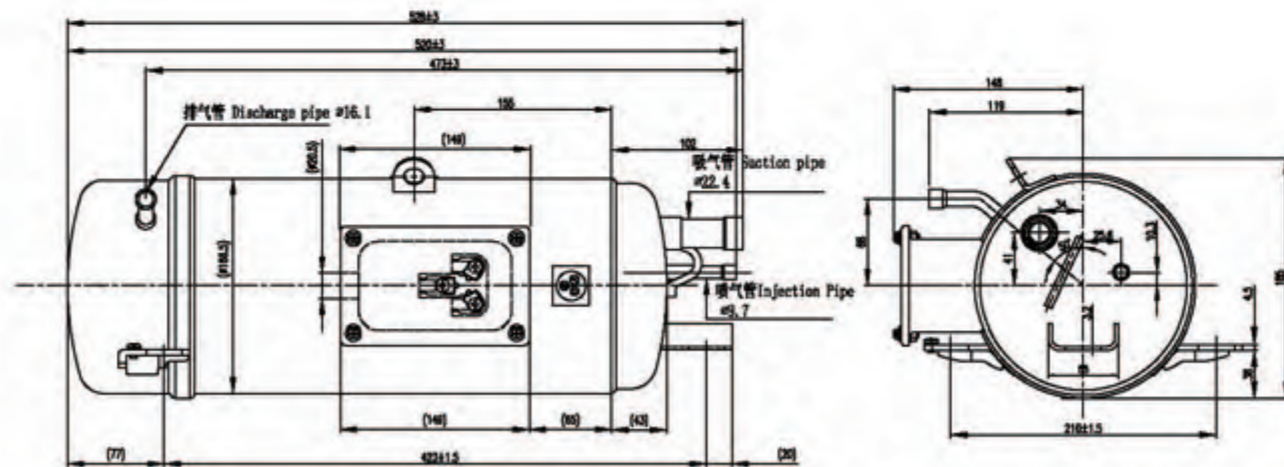
## 卧式系列 Horizontal series

R134a/R407C 标准型压缩机  
R134a/R407C Standard Type



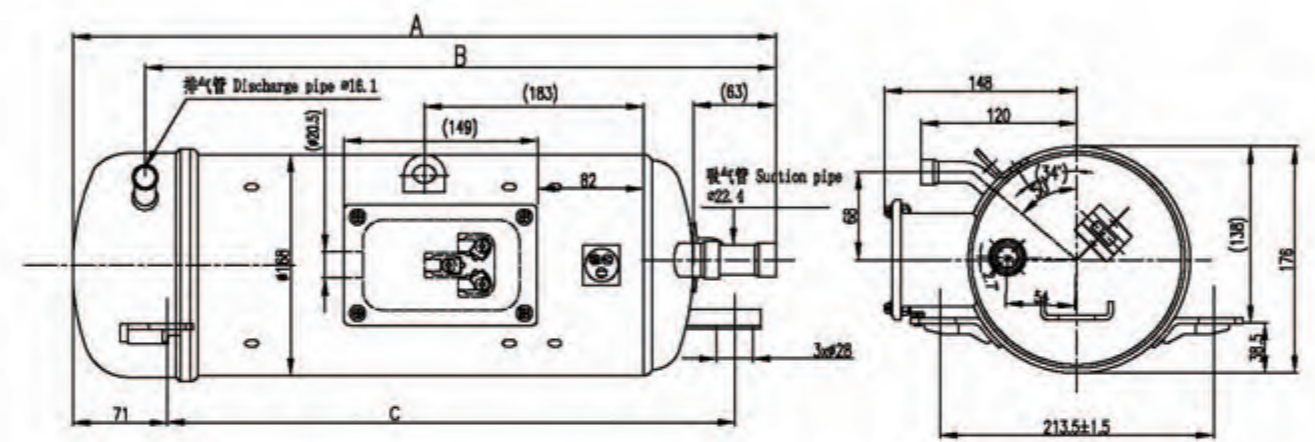
单位(Unit) : mm

R134a/R407C 热泵标准型压缩机  
R134a/R407C for Low-Temperature Heat Pump



单位(Unit) : mm

R410A 标准型压缩机  
R410A Standard Type



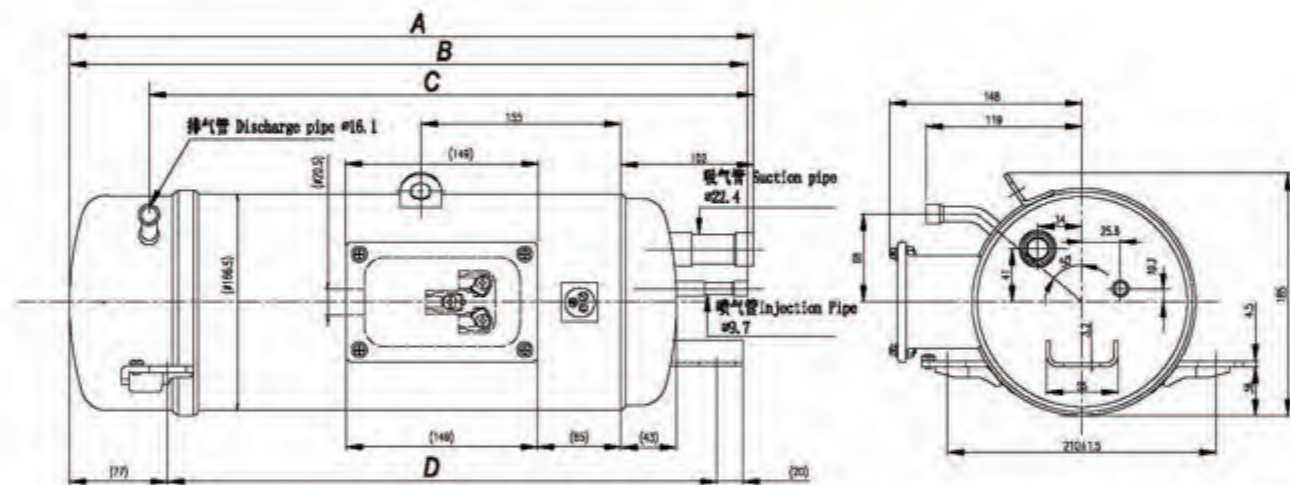
单位(Unit) : mm

压缩机型号(Model)	A	B	C
DA42TLDG	501	445	398
DA65TLDG/DA80TLDG	540	484	437

# 压缩机外形尺寸 Outline Dimensional Drawing

## 卧式热泵系列 Horizontal heat pump series

### R410A 热泵标准型压缩机 R410A for Low-Temperature Heat Pump



单位(Unit) : mm

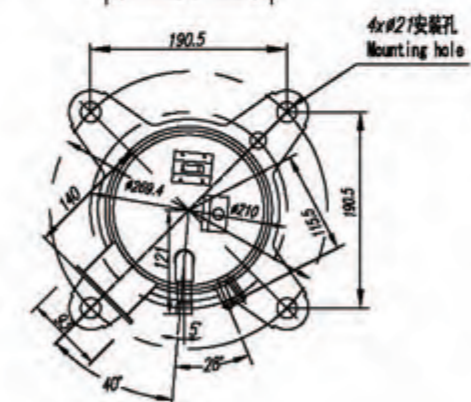
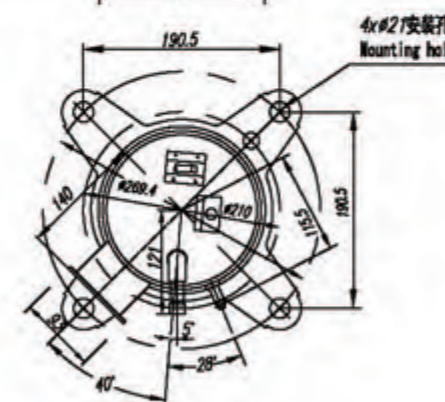
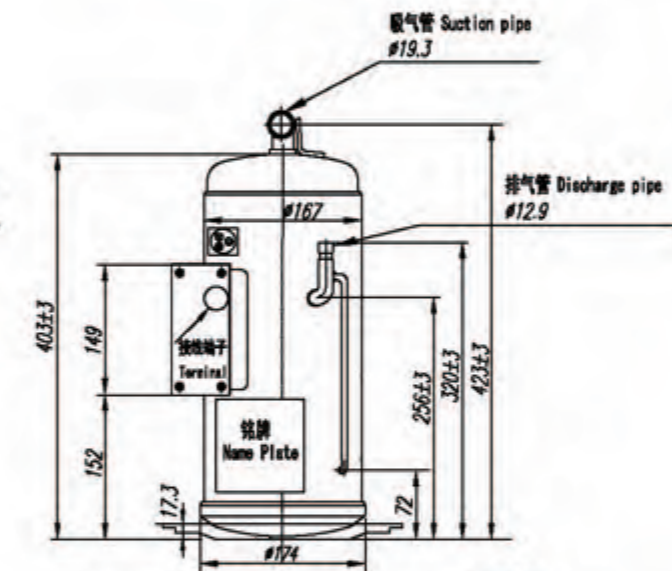
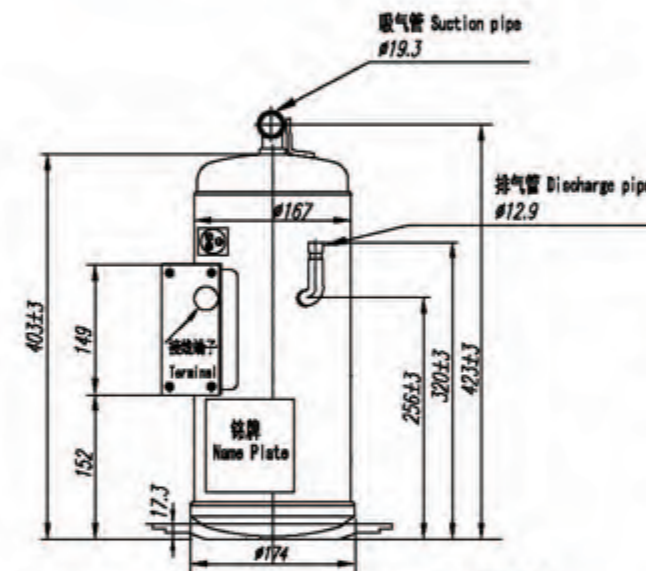
压缩机型号(Model)	A	B	C	D
DA42TLDG	501	500	445	398
DA65TLDG/DA80TLDG	540	539	484	437

## 立式系列 Vertical series

地铁向  
For subway

### 标准型压缩机 Standard Type

### 并联型压缩机 Multiple Type

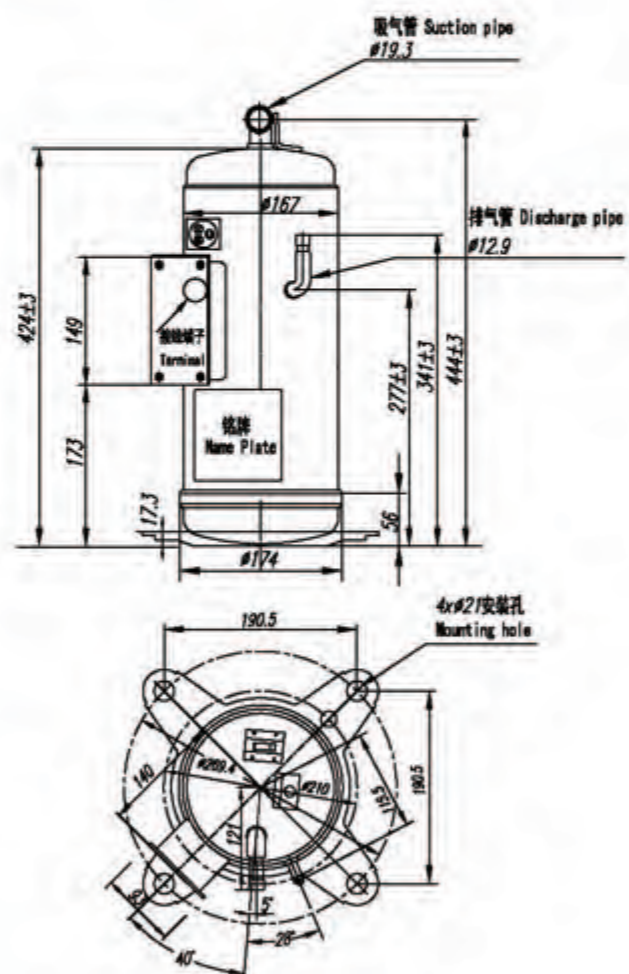


单位(Unit) : mm

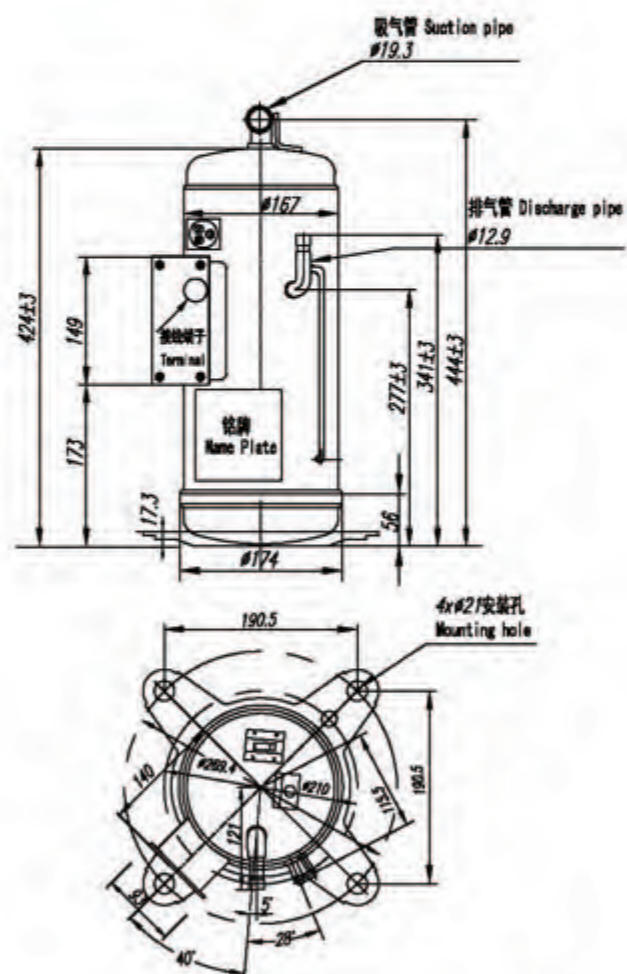
# 压缩机外形尺寸 Outline Dimensional Drawing

铁路向  
For railway

标准型压缩机  
Standard Type



并联型压缩机  
Multiple Type

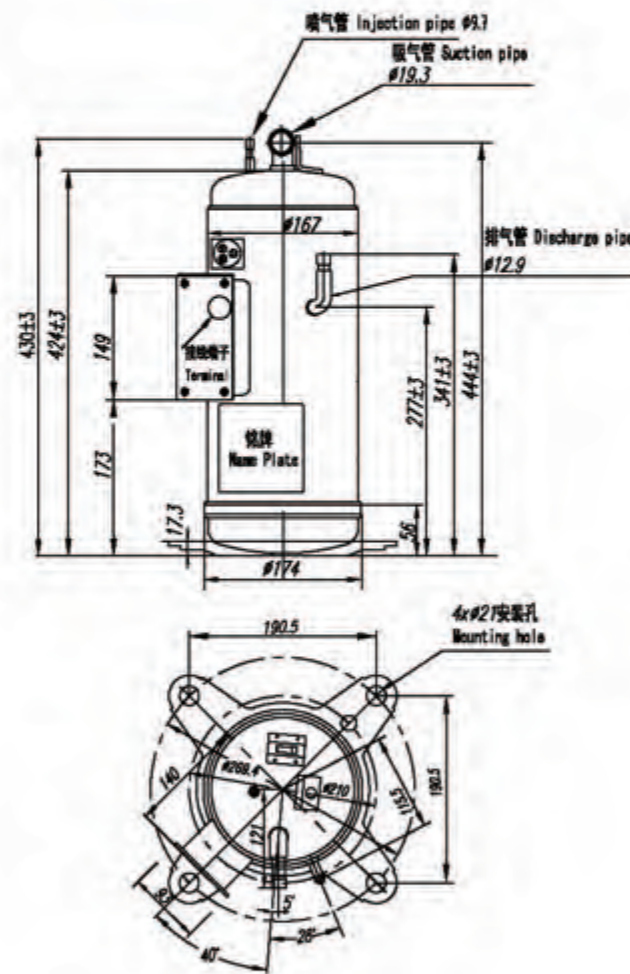


单位(Unit) : mm

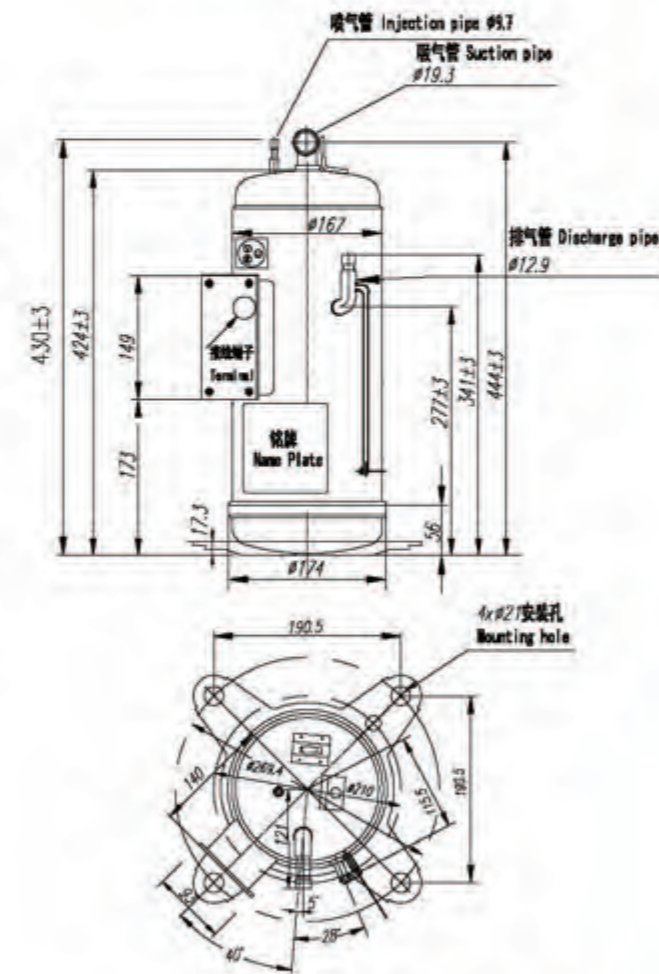
# 立式热泵系列 Vertical series

铁路向  
For railway

标准型压缩机  
Standard type



并联型压缩机  
Multiple type



单位(Unit) : mm



# 热泵热水用 For Heat Pump and Water Heater

## 产品特性 Product characteristics

### 优化非对称涡旋线 Improved asymmetric wrap

强化涡旋设计，满足过负荷工作可靠性  
Strengthen scroll design to meet the reliability of over load operation

### 高压比 High pressure ratio

Max 压比14.2，满足-25℃环温,55℃出水温度  
Max pressure ratio 14.2, Meet -25℃ ambient temperature, 55℃ effluent temperature

### 非接触式油膜密封 Non-contact oil membrane

压缩腔的轴向与径向采用非接触式密封，依靠润滑油形成油膜密封，降低摩擦，提高效率 and 可靠性。  
Non-contact seal adopted in axial and diametrical of compression chamber, oil film seal formed by lubricating oil, so friction diminished and better efficiency and reliability achieved.

### 永磁电机 Permanent magnet motor

DC INV 电机效率更高无级调速，满足客户需求，高效节能  
DC INV The motor is more efficient Stepless speed regulation, to meet customer demand, efficient energy saving

### 高转速特性 High Speed Features

转速范围30-120rps，能力范围更宽广。  
Speed range 30-120 rps, a wider range of capability achieved.

### 喷气增焐技术 Gas Injection technique

有效改善低温制热性能（EER提高7-10%），提升低温制热量（提高10-25%），拓展低温运行范围。  
It can effectively improve the low-temperature heating performance (EER increase 7-10%), enhance the low-temperature heat (10-25%), and expand the range of low temperature operation.

### 直接吸气 Direct Suction

吸气预热小，容积效率高  
Little suction preheat, high volumetric efficiency.

### 泄压阀构造 Release-Valve

提高部分负荷能效，适应变比工况，提升压缩机性能。  
Improving partial load energy efficiency, adapting to the condition of variable pressure ratio, upgrading compressor performance.

### 轴向柔性 Axial flexibility

轴向柔性调节，确保涡旋工作更高容积效率。  
低湿条件液压缩耐受性，提高可靠性  
Axial flexible adjust to ensure higher volumetric efficiency of scroll work. Low temperature hydraulic shrinkage tolerance to improve reliability

### 高可靠性轴承 Highly-reliable bearings

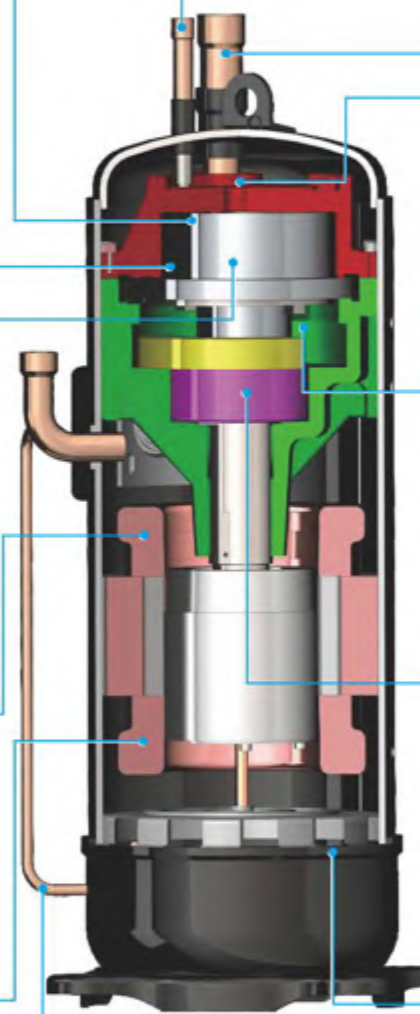
采用圆柱轴承加调心球轴承的轴承组，提高压缩机的可靠性。  
Cylindrical bearings plus aligning ball bearings to improve compressor reliability.

### 高压腔结构 High Pressure Type

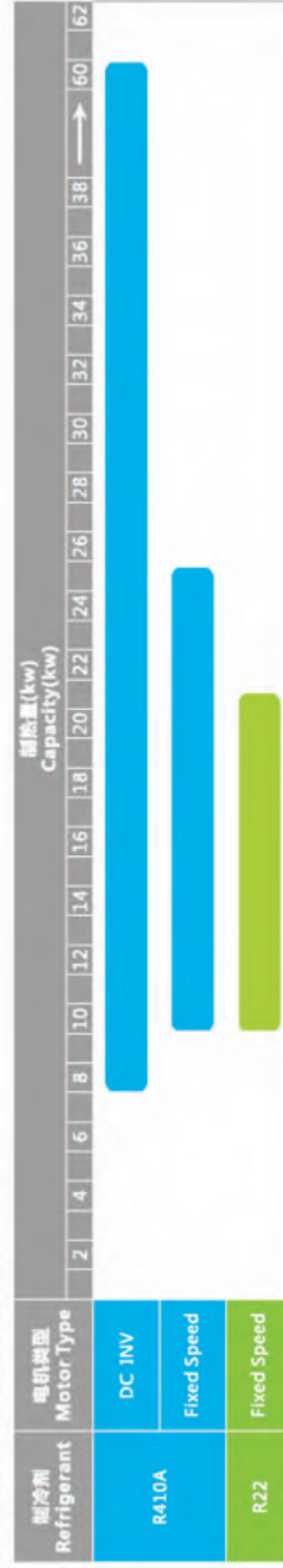
大排气缓冲容积，能降低运行时的气流噪音和振动。  
Big displacement buffering capacity can bring down operation noise and vibration.

### 动态油平衡构造 Dynamic oil balance structure

油平衡管实现并联压缩机油量动态平衡，保证多台压缩机并联使用的可靠性，申请了专利。  
Oil balance pipe to achieve dynamic oil balance of compressors in parallel operation, ensure their operationality; patent applied.



## 产品线 Product line



## 命名规则 (1) / Nomenclature (1)

例Example:

**K E 65 5 D H D - 65 D 2 Y G**

1.用途

Application  
K- 供暖冷地两用  
For cold region

2.工质类型

Refrigerant type  
R22不标注  
E-R410A

3.规格代号

Specification code  
额定输出功率(HP)×10  
Output power (HP)×10

4.设计序列号

Number of modified design  
按0,1, 2, 3, 4...序列排列  
Arrange in order of 0,1,2,3,4...

5.系列号

Series number  
D-Ø160

6.安装型式

Mounting form  
H-立式 For vertical type

7.压缩机类型

Compressor type  
D-直流变频压缩机  
DC INV compressor

8.名义工作容积

Nominal displacement  
压缩机每转排量, 单位: cm<sup>3</sup>/rev  
The discharge unit is cm<sup>3</sup>/rev

9.电源

Power source  
A 200V,3-50Hz 200V-220V,3-60Hz  
D 380-415V,3-50Hz 440V,3-60Hz  
Q 220-240V,1-50Hz

12.产地标识

Origin marking  
G- 广州 (需要时标注)  
Guangzhou  
(mark when needed)

11.其他规格

Other specification:  
标准-无记号 Standard-Without mark  
Y- 均油管与排气管连接  
Oil balanced pipe connection  
with discharge pipe

10.接口方式

Pipe connection method  
2-钎焊连接  
Brazing connection

## 命名规则 (2) / Nomenclature (2)

例Example:

**C A 80 K H D G - D1 Y 2**

1.压缩机结构代号

Compressor code  
A-Ø150 高效系列  
High efficiency series  
C-Ø160 高效系列  
High efficiency series  
D-Ø160 标准系列  
Standard series

2.设计序列号

Number of modified design  
按A, B, C, D...序列排列  
Arrange in order of A, B, C, D...

3.名义工作容积

Nominal displacement  
压缩机每转排量, 单位: cm<sup>3</sup>/rev  
The discharge unit is cm<sup>3</sup>/rev

4.用途

Application  
K- 供暖冷地两用  
For cold region

5.安装型式

Mounting form  
H-立式 For vertical type

6.压缩机类型

Compressor type  
D-直流变频压缩机  
DC INV compressor  
其余不标注  
No indications for the others

7.产地标识

Origin marking  
G- 广州(需要时标注)  
Guangzhou  
(mark when needed)

10.工质类型

Refrigerant type  
2-R410A  
5-R22

9.其他规格

Other specification  
Y-整体均油管带排气喷射  
Welded oil balanced pipe with  
gas injection  
K-不带整体均油管带排气喷射  
Without welded oil balanced  
pipe&have gas injection

8.电源

Power source  
A1 200V,3-50Hz  
200-220V,3-60Hz  
D1 380-415V,3-50Hz  
440V,3-60Hz

测试标准: AHRI Test Standard: AHRI

制冷剂 Refrigerant	蒸发温度 (°C) Evaporating Temp.	吸气温度 Suction Temp.	冷凝温度 (°C) Condensing Temp.	过冷度 (°C) Subcooling Temp.	环境温度 (°C) Ambient Temp.
R410A	5	16.1	55	46.7	35
R22	5	16.1	55	46.7	35

备注Remarks:  
1. 直流变频压缩机测试转速均为60rps, Test speed of DC INV compressor is 60rps.  
2. \*代表开发中, \* represents the product is under development.

标准直流变频型  
Standard DC INV type R410A

压缩机型号 Model	排量 Displ. (cm <sup>3</sup> /rev)	转速范围 Rotate Speed Range (RPS)	制热量 Capacity (BTU/h)	制热量 Capacity (W)	功率 Power (W)	COP (BTU/W-h)	COP (W/W)	噪音 Sound Level dB(A)	注油量 Oil Charge (L)	重量 Weight (kg)	备注 Remarks
电源制式 Power Source: 3Ph- (200V/50Hz, 200-220V/60Hz)											
KE405DHD-38A2G	38	30-90	50750	14870	3970	12.8	3.75	67	1.2	32	CQC
KE655DHD-65A2G	65	10-100	88530	25940	6820	13.0	3.80	72	1.9	38	CQC

压缩机型号 Model	排量 Displ. (cm <sup>3</sup> /rev)	转速范围 Rotate Speed Range (RPS)	制热量 Capacity (BTU/h)	制热量 Capacity (W)	功率 Power (W)	COP (BTU/W-h)	COP (W/W)	噪音 Sound Level dB(A)	注油量 Oil Charge (L)	重量 Weight (kg)	备注 Remarks
电源制式 Power Source: 3Ph- (380-415V/50Hz, 440V/60Hz)											
KE405DHD-38D2G	38	30-90	50750	14870	3970	12.8	3.75	67	1.2	32	CQC
KE655DHD-65D2G	65	10-100	88530	25940	6820	13.0	3.80	72	1.9	38	CQC
CA65KHDG-D1K2	65	30-120	88530	25940	6740	13.1	3.85	68	1.9	36	*
CA80KHDG-D1K2	80	30-120	108940	31920	8300	13.1	3.85	70	1.9	39	*

并联直流变频型  
Multiple DC INV type R410A

压缩机型号 Model	排量 Displ. (cm <sup>3</sup> /rev)	转速范围 Rotate Speed Range (RPS)	制热量 Capacity (BTU/h)	制热量 Capacity (W)	功率 Power (W)	COP (BTU/W-h)	COP (W/W)	噪音 Sound Level dB(A)	注油量 Oil Charge (L)	重量 Weight (kg)	备注 Remarks
电源制式 Power Source: 3Ph- (200V/50Hz, 200-220V/60Hz)											
KE405DHD-38A2YG	38	30-90	50750	14870	3970	12.8	3.75	67	0.5	32	CQC
KE655DHD-65A2YG	65	10-100	88530	25940	6820	13.0	3.80	72	0.5	36	CQC

压缩机型号 Model	排量 Displ. (cm <sup>3</sup> /rev)	转速范围 Rotate Speed Range (RPS)	制热量 Capacity (BTU/h)	制热量 Capacity (W)	功率 Power (W)	COP (BTU/W-h)	COP (W/W)	噪音 Sound Level dB(A)	注油量 Oil Charge (L)	重量 Weight (kg)	备注 Remarks
电源制式 Power Source: 3Ph- (380-415V/50Hz, 440V/60Hz)											
KE405DHD-38D2YG	38	30-90	50750	14870	3970	12.8	3.75	67	0.5	37	CQC
KE655DHD-65D2YG	65	10-100	88530	25940	6820	13.0	3.80	72	0.5	32	CQC
CA65KHDG-D1Y2	65	30-120	88530	25940	6740	13.1	3.85	68	1.9	36	*
CA80KHDG-D1Y2	80	30-120	108940	31920	8300	13.1	3.85	70	1.9	39	*

标准定速型  
Standard fixed speed type R410A

压缩机型号 Model	排量 Displ. (cm <sup>3</sup> /rev)	制热量 Capacity (BTU/h)	制热量 Capacity (W)	功率 Power (W)	电流 Current (A)	COP (BTU/W-h)	COP (W/W)	噪音 Sound Level dB(A)	注油量 Oil Charge (L)	重量 Weight (kg)	备注 Remarks
电源制式 Power Source: 1Ph-220-240V/50Hz 测试电源 Test Voltage: 220V 1-50Hz											
KE405DH-38Q2G	38	42320	12400	3700	17.0	11.4	3.35	63	1.0	37	

压缩机型号 Model	排量 Displ. (cm <sup>3</sup> /rev)	制热量 Capacity (BTU/h)	制热量 Capacity (W)	功率 Power (W)	电流 Current (A)	COP (BTU/W-h)	COP (W/W)	噪音 Sound Level dB(A)	注油量 Oil Charge (L)	重量 Weight (kg)	备注 Remarks
电源制式 Power Source: 3Ph- (380-415V/50Hz, 440V/60Hz) 测试电源 Test Voltage: 380V 3-50Hz											
KE405DH-38D2G	38	41810	12250	3420	5.8	12.2	3.58	63	1.0	37	CCC
KE505DH-49D2G	49	53920	15800	4410	7.5	12.2	3.58	63	1.3	37	CCC
KE605DH-59D2G	59	64270	18830	5310	9.1	12.1	3.55	63	1.3	38	CQC
KE655DH-65D2G	65	70820	20750	5850	10.0	12.1	3.55	63	1.3	38	CQC
KE855DH-80D2G	80	86010	25200	7200	12.3	11.9	3.50	63	1.9	43	CQC

并联定速型  
Multiple fixed speed type R410A

压缩机型号 Model	排量 Displ. (cm <sup>3</sup> /rev)	制热量 Capacity (BTU/h)	制热量 Capacity (W)	功率 Power (W)	电流 Current (A)	COP (BTU/W-h)	COP (W/W)	噪音 Sound Level dB(A)	注油量 Oil Charge (L)	重量 Weight (kg)	备注 Remarks
电源制式 Power Source: 3Ph- (380-415V/50Hz, 440V/60Hz) 测试电源 Test Voltage: 380V 3-50Hz											
KE405DH-38D2YG	38	41810	12250	3420	5.8	12.2	3.58	63	0.5	36	CCC
KE505DH-49D2YG	49	53920	15800	4410	7.5	12.2	3.58	63	0.5	36	CCC
KE605DH-59D2YG	59	64270	18830	5310	9.1	12.1	3.55	63	0.5	37	CQC
KE655DH-65D2YG	65	70820	20750	5850	10.0	12.1	3.55	63	0.5	37	CQC
KE855DH-80D2YG	80	86010	25200	7200	12.3	11.9	3.50	63	1.1	42	CQC

### 标准定速机 Standard fixed speed type

R22

压缩机型号 Model	排量 Displ. (cm <sup>3</sup> /rev)	制热量 Capacity (BTU/h)	制热量 Capacity (W)	功率 Power (W)	电流 Current (A)	COP (BTU/W-h)	COP (W/W)	噪音 Sound Level dB(A)	注油量 Oil Charge (L)	重量 Weight (kg)	备注 Remarks
电源制式 Power Source: 1Ph-220-240V/50Hz						测试电源 Test Voltage: 220V 1~50Hz					
K303DH-47Q2	47	36310	10640	2710	12.4	13.4	3.93	60	1.2	36	CCC
K303DH-50Q2	50	38670	11330	2890	13.3	13.4	3.92	60	1.2	37	
K404DH-64Q2	64	49970	14640	3720	17.1	13.4	3.94	60	1.2	37	CCC
电源制式 Power Source: 3Ph- (380-415V/50Hz, 440V/60Hz)						测试电源 Test Voltage: 380V 3~50Hz					
K303DH-47D2	47	36080	10570	2640	4.6	13.7	4.00	60	1.2	36	
K303DH-50D2	50	38400	11250	2810	4.9	13.7	4.00	60	1.2	36	
K403DH-64D2	64	49490	14500	3580	6.3	13.8	4.05	60	1.2	36	
K503DH-80D2	80	62290	18250	4450	7.8	14.0	4.10	60	1.4	36	CCC
K503DH-83D2	83	64610	18930	4620	8.1	14.0	4.10	60	1.4	36	
K603DH-90D2	90	69180	20270	5070	8.9	13.6	4.00	60	1.4	37	
K603DH-95D2	95	73040	21400	5350	9.3	13.6	4.00	60	1.4	37	

### 并联定速机 Multiple fixed speed type

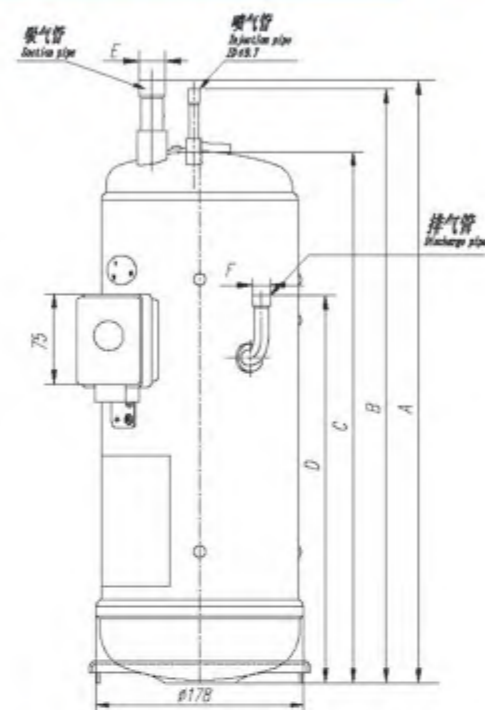
R22

压缩机型号 Model	排量 Displ. (cm <sup>3</sup> /rev)	制热量 Capacity (BTU/h)	制热量 Capacity (W)	功率 Power (W)	电流 Current (A)	COP (BTU/W-h)	COP (W/W)	噪音 Sound Level dB(A)	注油量 Oil Charge (L)	重量 Weight (kg)	备注 Remarks
电源制式 Power Source: 3Ph- (380-415V/50Hz, 440V/60Hz)						测试电源 Test Voltage: 380V 3~50Hz					
K303DH-47D2Y	47	36080	10570	2640	4.6	13.7	4.00	60	1.8	36	
K303DH-50D2Y	50	38400	11250	2810	4.9	13.7	4.00	60	1.8	36	
K403DH-64D2Y	64	49490	14500	3580	6.3	13.8	4.05	60	1.8	36	
K503DH-80D2Y	80	62290	18250	4450	7.8	14.0	4.10	60	1.8	36	CCC
K503DH-83D2Y	83	64610	18930	4620	8.1	14.0	4.10	60	1.8	36	
K603DH-90D2Y	90	69180	20270	5070	8.9	13.6	4.00	60	1.8	37	
K603DH-95D2Y	95	73040	21400	5350	9.3	13.6	4.00	60	1.8	37	

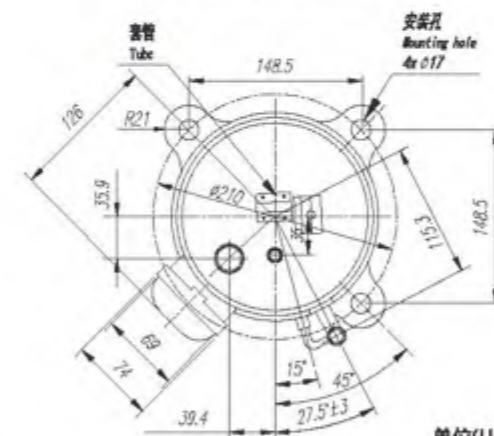
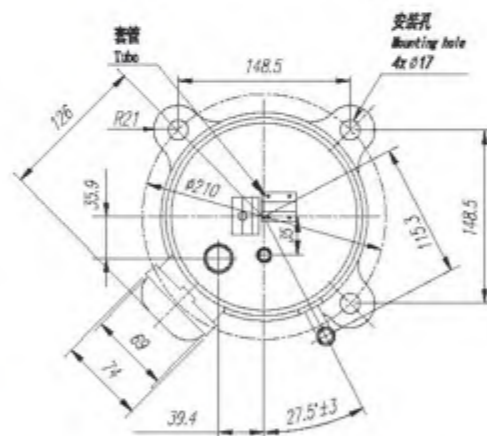
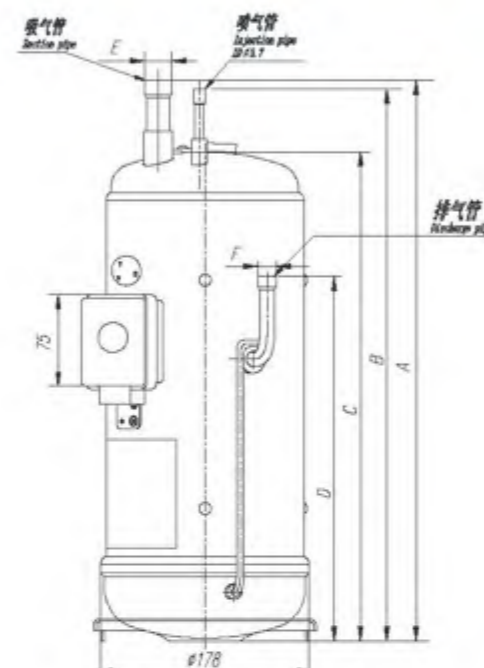
## 压缩机外形尺寸 Outline Dimensional Drawing



R410A 标准型压缩机  
R410A Standard Type



R410A 并联型压缩机  
R410A Multiple Type

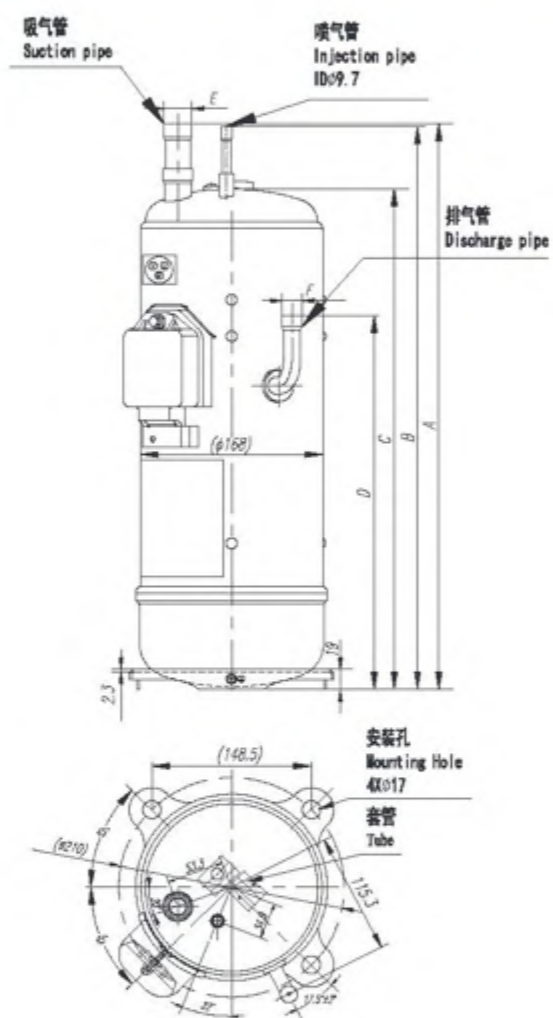


单位(Unit): mm

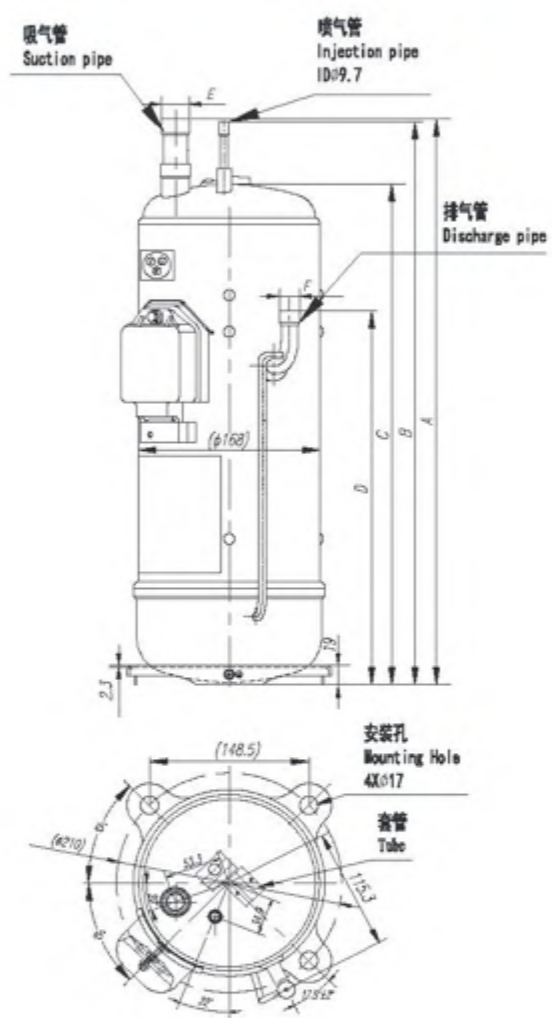
压缩机型号(Model)	A	B	C	D	E	F
KE405DHD、KE405DHDY	472	465	413	291	Ø19.3	Ø12.9
KE655DHD	539	535	468	346	Ø22.4	Ø16.1
KE655DHDY	512	508	453	331	Ø22.4	Ø16.1
KE405DH、KE405DHY、 KE505DHY、KE605DHY、 KE655DHY	510	505	451	330	Ø19.3	Ø22.4
KE505DH、KE605DH、KE655DH	530	528	468	346	Ø19.3	Ø22.4
KE855DH、KE855DHY	552	551	492	371	Ø22.4	Ø16.1

# 压缩机外形尺寸 Outline Dimensional Drawing

R410A 标准型压缩机  
R410A Standard Type



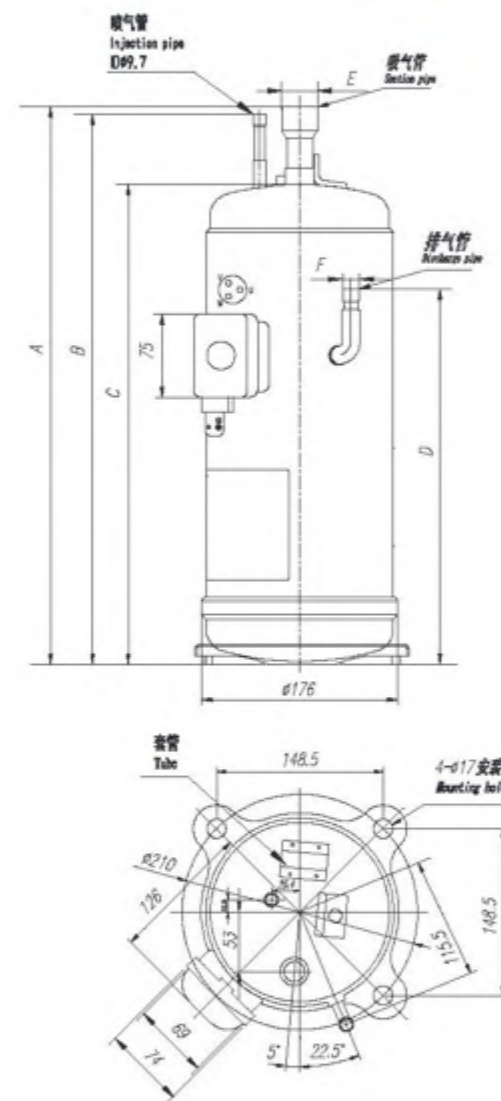
R410A 并联型压缩机  
R410A Multiple Type



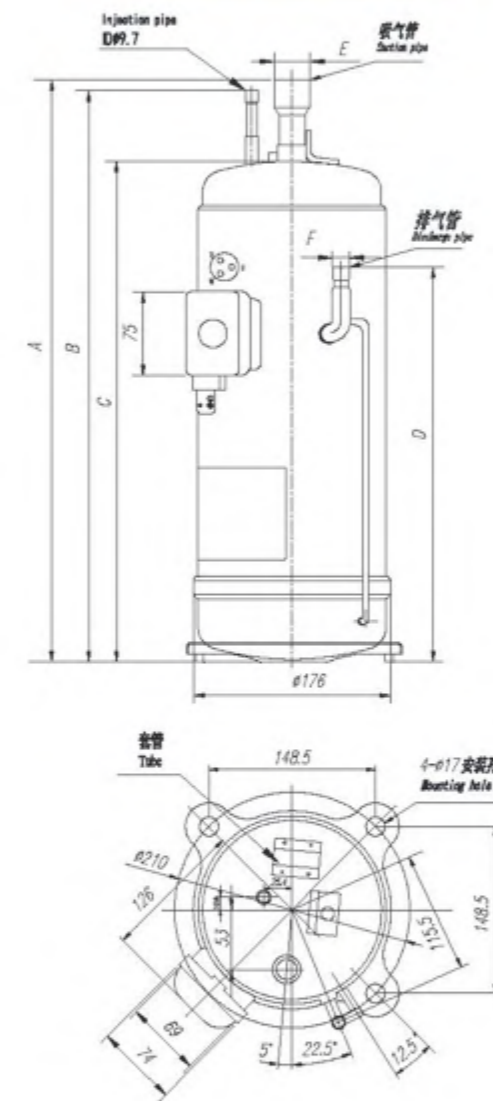
单位(Unit) : mm

压缩机型号(Model)	A	B	C	D	E	F
CA65KHDG、CA80KHDG	539	535	478	357	Ø22.4	Ø16.1

R22 标准型压缩机  
R22 Standard Type



R22 并联型压缩机  
R22 Multiple Type



单位(Unit) : mm

压缩机型号(Model)	A	B	C	D	E	F
标准型压缩机 Standard Type	488	483	429	340	Ø22.4	Ø12.9
并联型压缩机 Multiple Type	503	500	444	355	Ø22.4	Ø12.9

# 冷冻冷藏用 For Refrigeration



## 产品特性 Product characteristics

### 喷液增焓技术 Liquid injection technique

降低排气温度，增加压缩机能力，拓宽使用范围，提升产品性能  
Lower discharge temperature, bigger compressor capacity, wider running range, better product performance.

### 直接吸气 Direct Suction

吸气预热小，容积效率高  
Little suction preheat, high volumetric efficiency.

### 泄压阀构造 Release-Valve

提高部分负荷能效，适应变比工况，提升压缩机性能。  
Improving partial load energy efficiency, adapting to the condition of variable pressure ratio, upgrading compressor performance.

### 中间压力伺服机构 Mid-pressure server

根据运行压力动态调整中间压力，实现了轴向柔性，优化动定涡旋盘啮合，提高产品性能。  
Adjusting mid-pressure according to operation pressure dynamics, achieving axial flexibility, optimizing orbiting and fixed scroll engagement, improving product performance.

### 高可靠性轴承 Highly-reliable bearings

采用圆柱轴承加调心球轴承的轴承组，提高压缩机的可靠性。  
Cylindrical bearings plus aligning ball bearings to improve compressor reliability.

### 压差供油 Differential pressure oil supply

压差供油，保证润滑可靠性  
各转速供油量适合，保证高效率  
Differential pressure supply to ensure the reliability of lubrication  
fuel supply is suitable for all speed is to ensure high efficiency

### 代数对称涡旋线 Algebraic vortex line

采用特殊代数涡旋线，涡旋盘中心壁面加厚，更适合低温高压比工况。  
With the special algebraic vortex line, thicker the center wall of the scroll plate, which is more suitable for the low temperature and high pressure ratio conditions.

### 非接触式油膜密封 Non-contact oil membrane

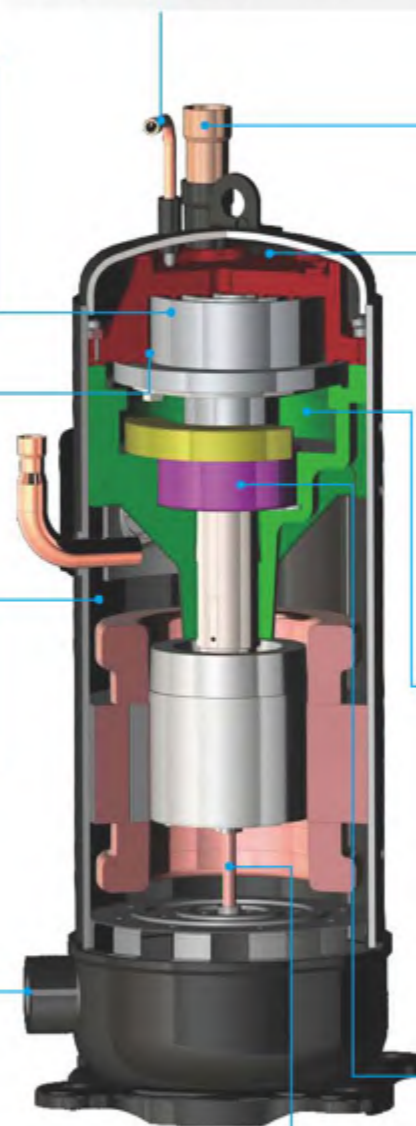
压缩腔的轴向与径向采用非接触式密封，依靠润滑油形成油膜密封，降低摩擦，提高效率 and 可靠性。  
Non-contact seal adopted in axial and diametrical of compression chamber, oil film seal formed by lubricating oil, so friction diminished and better efficiency and reliability achieved.

### 高压腔结构 High Pressure Type

大排气缓冲容积，能降低运行时的气流噪音和振动。  
Big displacement buffering capacity can bring down operation noise and vibration.

### 油面镜 Oil mirror

实时监测压缩机存油量，防止压缩机缺油  
Monitoring the oil storage of the compressor constantly and preventing the compressor from lacking oil.

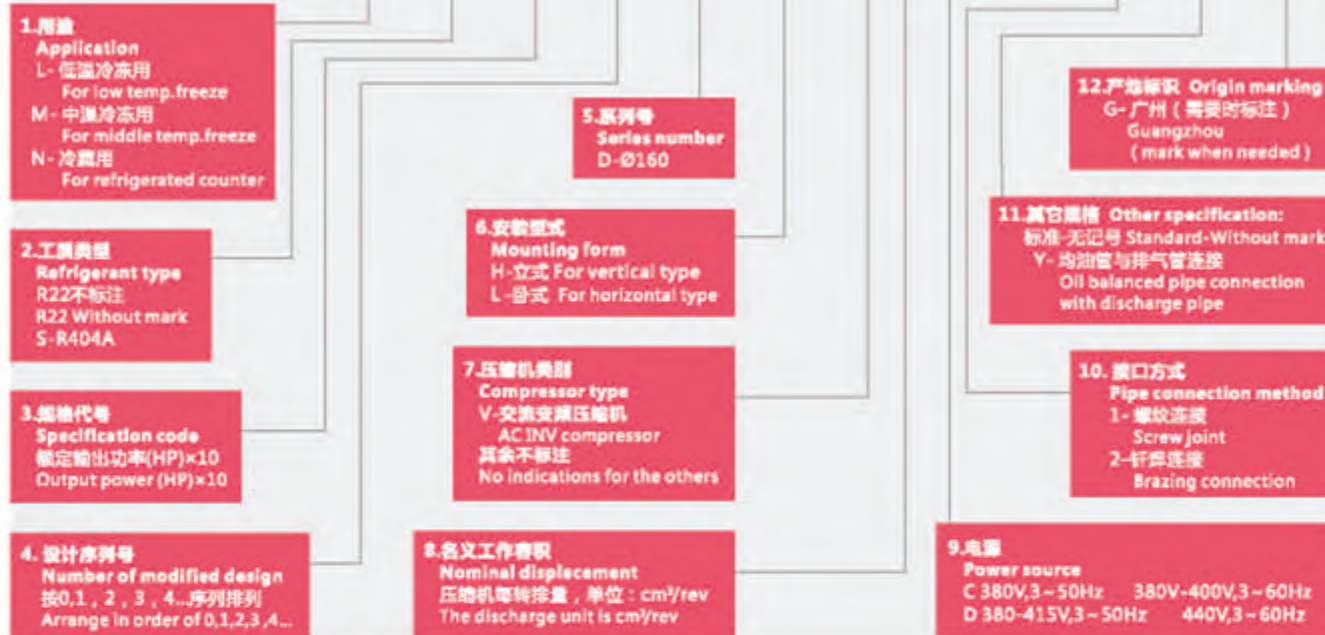


# 产品线 Product line



## 命名规则/ Nomenclature

例Example: **N S 50 0 D H V - 80 D 2 Y G**



测试工况 Test condition

系列 Series	蒸发温度 (°C) Evaporating Temp.	吸气温度 (°C) Suction Temp.	冷凝温度 (°C) Condensing Temp.	过冷度 (°C) Subcooling Temp.	排气温度 (°C) Discharge Temp.	环境温度 (°C) Ambient Temp.
N/NS冷藏系列 N/NS Refrigerated Series	-6.7	18.3	48.9	5	-	35
M/MS/LS冷冻系列 M/MS/LS Freeze Series	-15	18	45	5	85	35

备注Remarks:

- 交流变频压缩机的测试转速均为60Hz。 Test speed of AC INV compressor is 60Hz.
- \*代表开发中。 \* represents the product is under development.

标准交流变频型  
Standard AC INV type

R22

压缩机型号 Model	排量 Displ. (cm <sup>3</sup> /rev)	转速范围 Rotate Speed Range (Hz)	制冷量 Capacity (BTU/h)	制冷量 Capacity (W)	功率 Power (W)	电流 Current (A)	EER/COP (BTU/W-h)	EER/COP (W/W)	噪音 Sound Level dB(A)	注油量 Oil Charge (L)	重量 Weight (kg)	备注 Remarks
电源制式 Power Source: 3Ph- ( 380-415V/50Hz , 440V/60Hz )												
N300DHV-47D2G	47	30-90	22184	6500	2710	4.9	8.2	2.40	60	1.8	36	
N400DHV-64D2G	64	30-90	30717	9000	3600	6.7	8.5	2.50	60	1.8	36	
N500DHV-80D2G	80	30-90	39249	11500	4420	8.3	8.9	2.60	60	1.8	37	
电源制式 Power Source: 3Ph- ( 380-415V/50Hz , 440V/60Hz )												
M300DHV-47D2G	47	30-90	16485	4830	2480	4.2	6.6	1.95	60	1.8	36	
M400DHV-64D2G	64	30-90	23140	6780	3300	6.5	7.0	2.05	60	1.8	36	
M500DHV-80D2G	80	30-90	29454	8630	4110	6.9	7.2	2.10	60	1.8	37	

并联交流变频型  
Multiple AC INV type

R22

压缩机型号 Model	排量 Displ. (cm <sup>3</sup> /rev)	转速范围 Rotate Speed Range (Hz)	制冷量 Capacity (BTU/h)	制冷量 Capacity (W)	功率 Power (W)	电流 Current (A)	EER/COP (BTU/W-h)	EER/COP (W/W)	噪音 Sound Level dB(A)	注油量 Oil Charge (L)	重量 Weight (kg)	备注 Remarks
电源制式 Power Source: 3Ph- ( 380-415V/50Hz , 440V/60Hz )												
N300DHV-47D2YG	47	30-90	22184	6500	2710	4.9	8.2	2.40	60	1.8	36	
N400DHV-64D2YG	64	30-90	30717	9000	3600	6.7	8.5	2.50	60	1.8	36	
N500DHV-80D2YG	80	30-90	39249	11500	4420	8.3	8.9	2.60	60	1.8	37	
电源制式 Power Source: 3Ph- ( 380-415V/50Hz , 440V/60Hz )												
M300DHV-47D2YG	47	30-90	16485	4830	2480	4.2	6.6	1.95	60	1.8	36	
M400DHV-64D2YG	64	30-90	23140	6780	3300	6.5	7.0	2.05	60	1.8	36	
M500DHV-80D2YG	80	30-90	29454	8630	4110	6.9	7.2	2.10	60	1.8	37	

标准定速型  
Standard fixed speed type

R22

压缩机型号 Model	排量 Displ. (cm <sup>3</sup> /rev)	制冷量 Capacity (BTU/h)	制冷量 Capacity (W)	功率 Power (W)	电流 Current (A)	EER/COP (BTU/W-h)	EER/COP (W/W)	噪音 Sound Level dB(A)	注油量 Oil Charge (L)	重量 Weight (kg)	备注 Remarks
电源制式 Power Source: 3Ph- ( 380-415V/50Hz , 440V/60Hz )											测试电源 Test Voltage: 380V 3 ~ 50Hz
N300DH-56D2G	56	22014	6450	2690	4.7	8.2	2.40	60	1.8	36	
N350DH-64D2G	64	25597	7500	3060	5.3	8.4	2.45	60	1.8	36	
N500DH-83D2G	83	33618	9850	3870	6.8	8.7	2.55	60	1.8	36	
N600DH-95D2G	95	38089	11160	4550	7.9	8.4	2.45	60	1.8	37	
电源制式 Power Source: 3Ph- ( 380-415V/50Hz , 440V/60Hz )											测试电源 Test Voltage: 380V 3 ~ 50Hz
M300DH-56D2G	56	16382	4800	2460	4.3	6.7	1.95	60	1.8	36	
M350DH-64D2G	64	19283	5650	2820	4.9	6.8	2.00	60	1.8	36	
M500DH-83D2G	83	25392	7440	3630	6.3	7.0	2.05	60	1.8	36	
M600DH-95D2G	95	28805	8440	4210	7.4	6.8	2.00	60	1.8	37	

并联定速型  
Multiple fixed speed type

R22

压缩机型号 Model	排量 Displ. (cm <sup>3</sup> /rev)	制冷量 Capacity (BTU/h)	制冷量 Capacity (W)	功率 Power (W)	电流 Current (A)	EER/COP (BTU/W-h)	EER/COP (W/W)	噪音 Sound Level dB(A)	注油量 Oil Charge (L)	重量 Weight (kg)	备注 Remarks
电源制式 Power Source: 3Ph- ( 380-415V/50Hz , 440V/60Hz )											测试电源 Test Voltage: 380V 3 ~ 50Hz
N300DH-56D2YG	56	22014	6450	2690	4.7	8.2	2.40	60	1.8	36	
N350DH-64D2YG	64	25597	7500	3060	5.3	8.4	2.45	60	1.8	36	
N500DH-83D2YG	83	33618	9850	3870	6.8	8.7	2.55	60	1.8	36	
N600DH-95D2YG	95	38089	11160	4550	7.9	8.4	2.45	60	1.8	37	
电源制式 Power Source: 3Ph- ( 380-415V/50Hz , 440V/60Hz )											测试电源 Test Voltage: 380V 3 ~ 50Hz
M300DH-56D2YG	56	16382	4800	2460	4.3	6.7	1.95	60	1.8	36	
M350DH-64D2YG	64	19283	5650	2820	4.9	6.8	2.00	60	1.8	36	
M500DH-83D2YG	83	25392	7440	3630	6.3	7.0	2.05	60	1.8	36	
M600DH-95D2YG	95	28805	8440	4210	7.4	6.8	2.00	60	1.8	37	



标准交流变频型  
Standard AC INV type

R404A

压缩机型号 Model	排量 Displ. (cm <sup>3</sup> /rev)	转速范围 Rotate Speed Range (Hz)	制冷量 Capacity (BTU/h)	制冷量 Capacity (W)	功率 Power (W)	电流 Current (A)	EER/COP (BTU/W-h)	EER/COP (W/W)	噪音 Sound Level dB(A)	注油量 Oil Charge (L)	重量 Weight (kg)	备注 Remarks
电源制式 Power Source: 3Ph- ( 380-415V/50Hz , 440V/60Hz )												
NS300DHV-47D2G	47	30-90	22355	6550	3360	9.3	6.65	1.95	65	1.8	36	
NS400DHV-64D2G	64	30-90	30444	8920	4460	11.5	6.83	2.00	65	1.8	36	
NS500DHV-80D2G	80	30-90	39078	11450	5210	15.0	7.50	2.20	65	1.8	37	
电源制式 Power Source: 3Ph- ( 380-415V/50Hz , 440V/60Hz )												
MS300DHV-47D2G	47	30-90	17747	5200	3150	8.2	5.63	1.65	60	1.8	36	
MS400DHV-64D2G	64	30-90	24266	7110	4060	10.6	5.98	1.75	60	1.8	36	
MS500DHV-80D2G	80	30-90	31843	9330	5040	14.1	6.32	1.85	60	1.8	37	
电源制式 Power Source: 3Ph- ( 380-415V/50Hz , 440V/60Hz )												
LS400DHV-64D2G	64	30-90	24266	7110	4060	10.6	5.98	1.75	60	1.8	36	
LS500DHV-80D2G	80	30-90	31843	9330	5040	14.1	6.32	1.85	60	1.8	37	
LS600DHV-90D2G	90	30-90	35836	10500	5670	17.0	6.32	1.85	60	1.8	38	

并联交流变频机  
Multiple AC INV type

R404A

压缩机型号 Model	排量 Displ. (cm <sup>3</sup> /rev)	转速范围 Rotate Speed Range (Hz)	制冷量 Capacity (BTU/h)	制冷量 Capacity (W)	功率 Power (W)	电流 Current (A)	EER/COP (BTU/W-h)	EER/COP (W/W)	噪音 Sound Level dB(A)	注油量 Oil Charge (L)	重量 Weight (kg)	备注 Remarks
电源制式 Power Source: 3Ph- ( 380-415V/50Hz , 440V/60Hz )												
NS300DHV-47D2YG	47	30-90	22355	6550	3360	9.3	6.65	1.95	65	1.8	36	
NS400DHV-64D2YG	64	30-90	30444	8920	4460	11.5	6.83	2.00	65	1.8	36	
NS500DHV-80D2YG	80	30-90	39078	11450	5210	15.0	7.50	2.20	65	1.8	37	
电源制式 Power Source: 3Ph- ( 380-415V/50Hz , 440V/60Hz )												
MS300DHV-47D2YG	47	30-90	17747	5200	3150	8.2	5.63	1.65	60	1.8	36	
MS400DHV-64D2YG	64	30-90	24266	7110	4060	10.6	5.98	1.75	60	1.8	36	
MS500DHV-80D2YG	80	30-90	31843	9330	5040	14.1	6.32	1.85	60	1.8	37	
电源制式 Power Source: 3Ph- ( 380-415V/50Hz , 440V/60Hz )												
LS400DHV-64D2YG	64	30-90	24266	7110	4060	10.6	5.98	1.75	60	1.8	36	
LS500DHV-80D2YG	80	30-90	31843	9330	5040	14.1	6.32	1.85	60	1.8	37	
LS600DHV-90D2YG	90	30-90	35836	10500	5670	17.0	6.32	1.85	60	1.8	38	

标准定速机  
Standard fixed speed type

R404A

压缩机型号 Model	排量 Displ. (cm <sup>3</sup> /rev)	制冷量 Capacity (BTU/h)	制冷量 Capacity (W)	功率 Power (W)	电流 Current (A)	EER/COP (BTU/W-h)	EER/COP (W/W)	噪音 Sound Level dB(A)	注油量 Oil Charge (L)	重量 Weight (kg)	备注 Remarks
电源制式 Power Source: 3Ph- ( 380-415V/50Hz , 440V/60Hz ) 测试电源 Test Voltage: 380V 3 ~ 50Hz											
NS300DH-56D2G	56	22184	6500	3340	5.8	6.6	1.95	65	1.8	36	
NS350DH-64D2G	64	25358	7430	3810	6.7	6.7	1.95	65	1.8	36	
NS500DH-83D2G	83	33788	9900	4700	8	7.2	2.10	65	1.8	36	
NS600DH-95D2G	95	38669	11330	5390	9.5	7.2	2.10	65	1.8	37	

压缩机型号 Model	排量 Displ. (cm <sup>3</sup> /rev)	制冷量 Capacity (BTU/h)	制冷量 Capacity (W)	功率 Power (W)	电流 Current (A)	EER/COP (BTU/W-h)	EER/COP (W/W)	噪音 Sound Level dB(A)	注油量 Oil Charge (L)	重量 Weight (kg)	备注 Remarks
电源制式 Power Source: 3Ph- ( 380-415V/50Hz , 440V/60Hz ) 测试电源 Test Voltage: 380V 3 ~ 50Hz											
MS300DH-56D2G	56	17406	5100	3100	5.4	5.6	1.65	60	1.8	36	
MS350DH-64D2G	64	19795	5800	3410	6.0	5.8	1.70	60	1.8	36	
MS500DH-83D2G	83	25939	7600	4350	7.6	6.0	1.75	60	1.8	36	
MS600DH-95D2G	95	29693	8700	4980	8.7	6.0	1.75	60	1.8	37	

压缩机型号 Model	排量 Displ. (cm <sup>3</sup> /rev)	制冷量 Capacity (BTU/h)	制冷量 Capacity (W)	功率 Power (W)	电流 Current (A)	EER/COP (BTU/W-h)	EER/COP (W/W)	噪音 Sound Level dB(A)	注油量 Oil Charge (L)	重量 Weight (kg)	备注 Remarks
电源制式 Power Source: 3Ph- ( 380-415V/50Hz , 440V/60Hz ) 测试电源 Test Voltage: 380V 3 ~ 50Hz											
LS350DH-64D2G	64	19795	5800	3410	6.0	5.8	1.70	60	1.8	36	
LS500DH-83D2G	83	25939	7600	4350	7.6	6.0	1.75	60	1.8	36	
LS600DH-95D2G	95	29693	8700	4980	8.7	6.0	1.75	60	1.8	37	

### 并联定速机 Multiple fixed speed type R404A

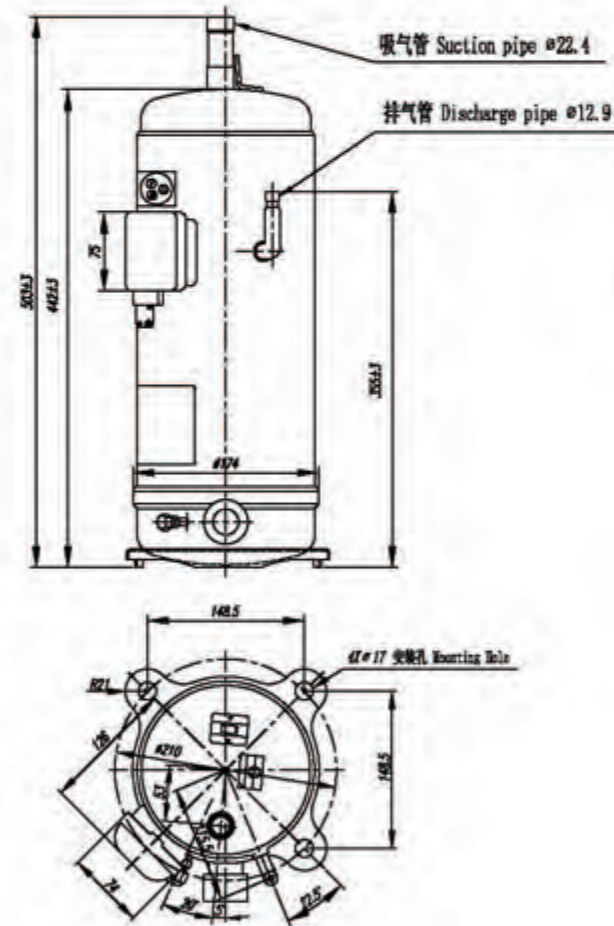
压缩机型号 Model	排量 Displ. (cm <sup>3</sup> /rev)	制冷量 Capacity (BTU/h)	制冷量 Capacity (W)	功率 Power (W)	电流 Current (A)	EER/COP (BTU/W·h)	EER/COP (W/W)	噪音 Sound Level dB(A)	注油量 Oil Charge (L)	重量 Weight (kg)	备注 Remarks
电源制式 Power Source: 3Ph- ( 380-415V/50Hz , 440V/60Hz )						测试电源 Test Voltage: 380V 3 ~ 50Hz					
NS300DH-56D2YG	56	22184	6500	3340	5.8	6.6	1.95	65	1.8	36	
NS350DH-64D2YG	64	25358	7430	3810	6.7	6.7	1.95	65	1.8	36	
NS500DH-83D2YG	83	33788	9900	4700	8	7.2	2.10	65	1.8	36	
NS600DH-95D2YG	95	38669	11330	5390	9.5	7.2	2.10	65	1.8	37	

压缩机型号 Model	排量 Displ. (cm <sup>3</sup> /rev)	制冷量 Capacity (BTU/h)	制冷量 Capacity (W)	功率 Power (W)	电流 Current (A)	EER/COP (BTU/W·h)	EER/COP (W/W)	噪音 Sound Level dB(A)	注油量 Oil Charge (L)	重量 Weight (kg)	备注 Remarks
电源制式 Power Source: 3Ph- ( 380-415V/50Hz , 440V/60Hz )						测试电源 Test Voltage: 380V 3 ~ 50Hz					
MS300DH-56D2YG	56	17406	5100	3100	5.4	5.6	1.65	60	1.8	36	
MS350DH-64D2YG	64	19795	5800	3410	6.0	5.8	1.70	60	1.8	36	
MS500DH-83D2YG	83	25939	7600	4350	7.6	6.0	1.75	60	1.8	36	
MS600DH-95D2YG	95	29693	8700	4980	8.7	6.0	1.75	60	1.8	37	

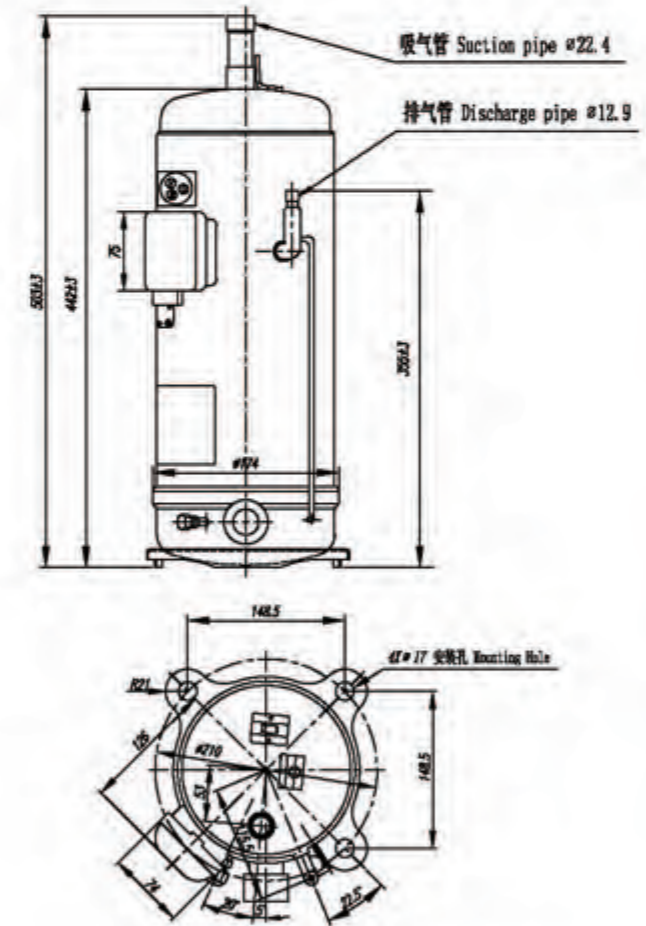
压缩机型号 Model	排量 Displ. (cm <sup>3</sup> /rev)	制冷量 Capacity (BTU/h)	制冷量 Capacity (W)	功率 Power (W)	电流 Current (A)	EER/COP (BTU/W·h)	EER/COP (W/W)	噪音 Sound Level dB(A)	注油量 Oil Charge (L)	重量 Weight (kg)	备注 Remarks
电源制式 Power Source: 3Ph- ( 380-415V/50Hz , 440V/60Hz )						测试电源 Test Voltage: 380V 3 ~ 50Hz					
LS350DH-64D2YG	64	19795	5800	3410	6.0	5.8	1.70	60	1.8	36	
LS500DH-83D2YG	83	25939	7600	4350	7.6	6.0	1.75	60	1.8	36	
LS600DH-95D2YG	95	29693	8700	4980	8.7	6.0	1.75	60	1.8	37	

## 压缩机外形尺寸 Outline Dimensional Drawing

### N/NS系列标准型压缩机 N/NS Series Standard Type



### N/NS系列并联型压缩机 N/NS Series Multiple Type



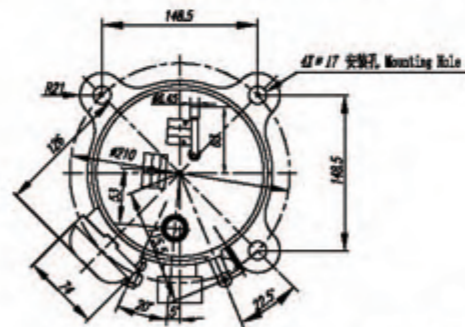
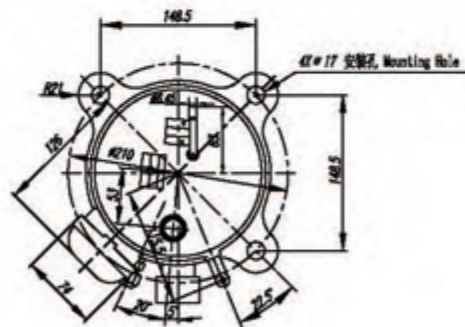
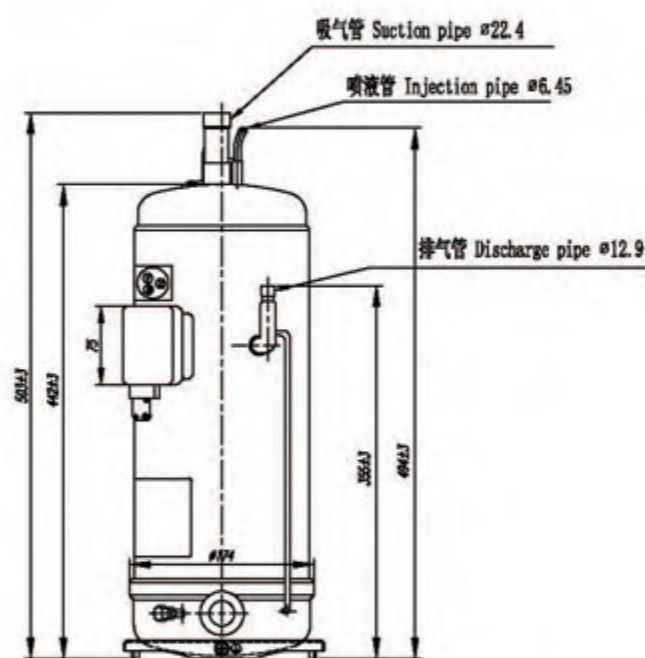
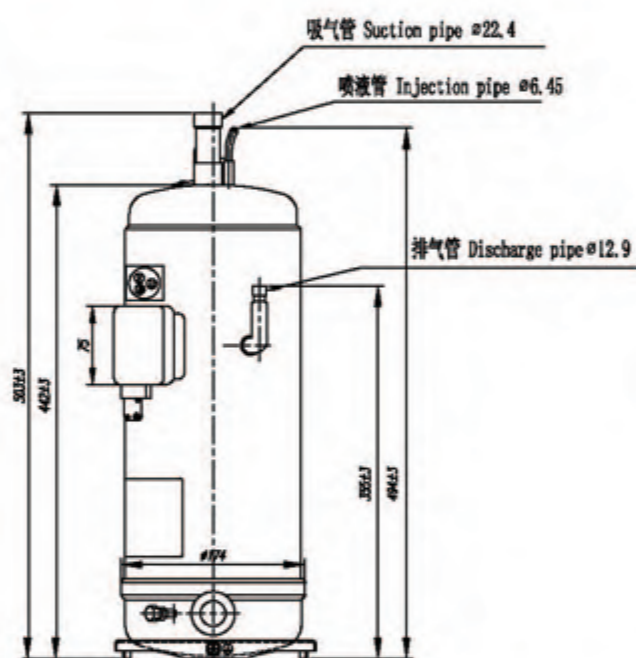
单位(Unit) : mm

# 压缩机外形尺寸 Outline Dimensional Drawing



M/MS/LS系列标准型压缩机  
M/MS/LS Series Standard Type

M/MS/LS系列并联型压缩机  
M/MS/LS Series Multiple Type



单位(Unit) : mm

家用及商用 For Domestic and Commercial  
车用空调用 For Transport  
热泵热水器 For Heat Pump and Water Heater  
制冷压缩机 For Refrigeration