



Refrigerant



Fixed Speed



Scroll



ADZ

R-404A Horizontal Scroll Compressor

SCI Horizontal Scroll Compressor is a forward step for refrigeration application. With its superior mechanism design, SCI' ADZ ensures quietness, lowers vibration and minimizes installation space as it's only 276 mm high. Definitely recommended for energy saving and medium temperature plug-in units.



Low Noise

Lower than 60 dBa*



Lower
Vibration

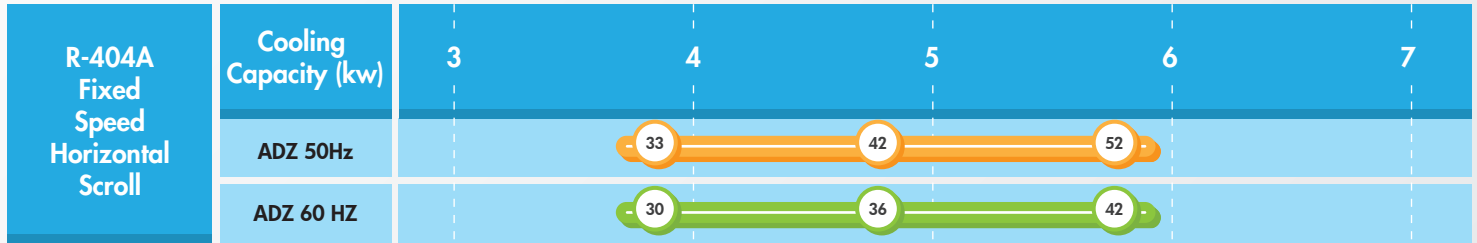
Lower than 20 μ m*



Minimize
Installation
Space

Height only 276 mm
Including mounting

■ SCI Horizontal Scroll Compressor Line-up



Testing Condition : ET = -5 °C, CT = 55 °C

■ Specifications of R-404A Fixed Speed Horizontal Scroll Compressor

Models	Capacity			Input		Normal Output		COP.	EER	Run Cap.	Weight	Oil
	(min ~ max)			Watt	Amps	HP	KW.	(W/W)	(BTU/Hr.*w)	(mF/VAC)	(kgs.)	(cc.)

a) Electrical 50 Hz : 220 - 240 Volt : 1 Phase

ADZ33VBAMT	3,780	3,250	12,897	1,960	9.0	2.3	1.74	1.93	6.58	45 / 400	38.0	900
ADZ42VBAMT	4,610	3,964	15,729	2,550	11.7	3.1	2.28	1.81	6.17	50 / 400	37.7	900
ADZ52VBAMT	5,730	4,927	19,551	3,030	14.1	3.6	2.70	1.89	6.45	60 / 440	38.4	900

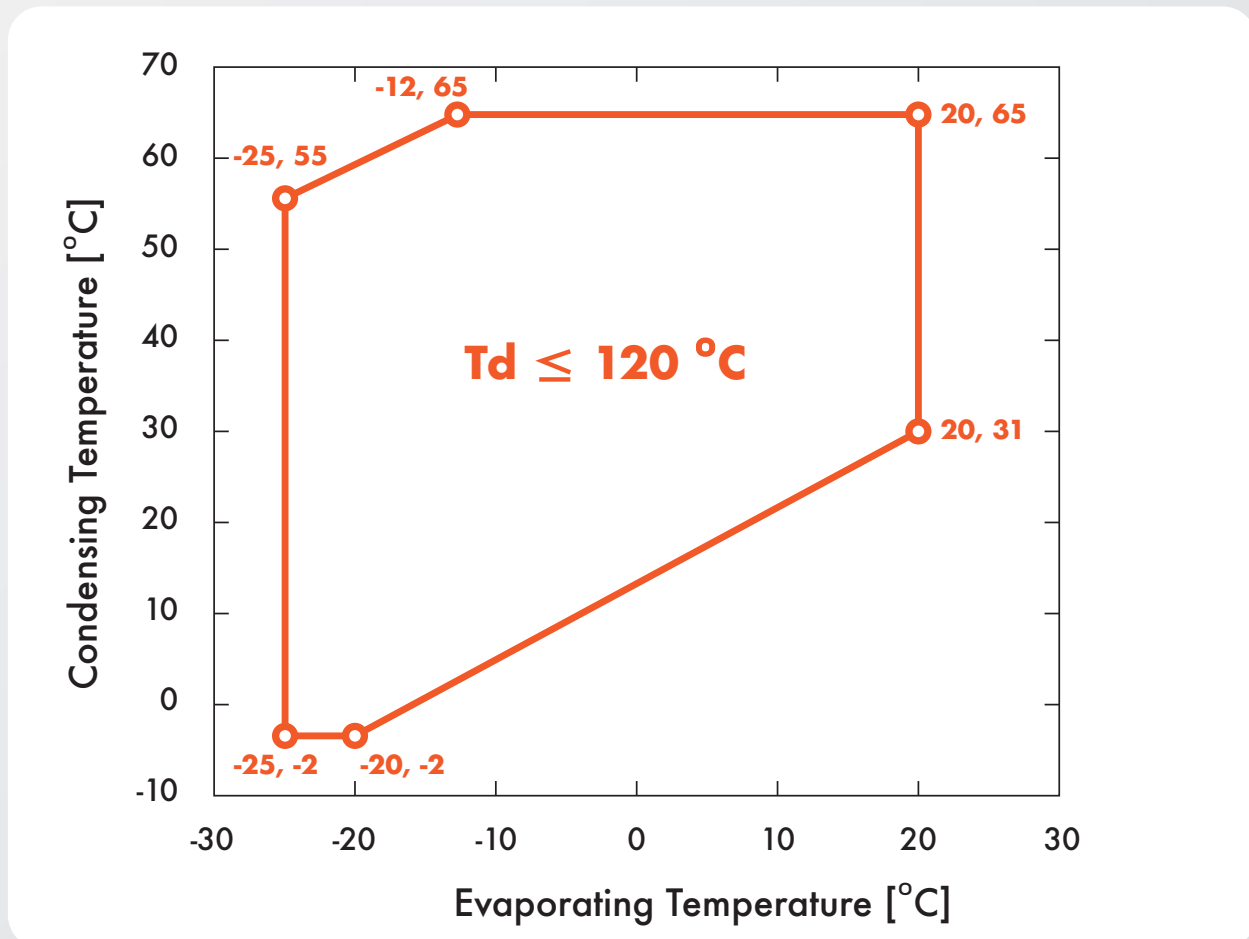
b) Electrical 60 Hz : 208 - 230 Volt : 1 Phase

ADZ30NBAMT	3,881	3,337	13,242	2,202	10.2	2.6	1.94	1.76	6.01	50 / 400	36.8	900
ADZ36NBAMT	4,590	3,946	15,661	2,595	11.9	3.1	2.28	1.77	6.04	50 / 400	37.3	900
ADZ42NBAMT	5,419	4,659	18,490	2,981	13.6	3.6	2.70	1.82	6.20	55 / 400	36.9	900

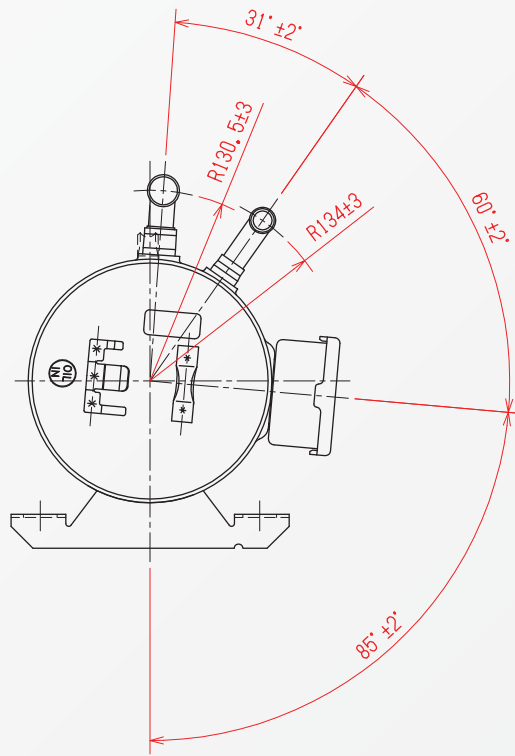
Notes: 1. Testing Condition : Medium Temp. Condition

2. For variety of oil quantity, please contact sales representative, Min - Max oil quantity is between 900-2300 cc.

■ Operating Envelope



■ Outline Drawing



DISCHARGE PIPE
(I. D. $\phi 12.85^{+0.2}$ x20 INSERT DEPTH (*2))

SUCTION PIPE
(I. D. $\phi 19.2^{+0.25}$ x20 INSERT DEPTH (*1))

