

# Condensing boiler technology

Product Catalogue 2021-03

**ebmpapst**

the engineer's choice





# EC radial blowers for condensing boiler technology

**ebmpapst**

the engineer's choice



	Page		Page	
<b>Information</b>	<b>4</b>	About ebm-papst	4	
		GreenIntelligence	5	
		Gas condensing technology	6	
		Laboratory equipment	10	
		EC radial blowers	12	
		Systems for condensing boiler technology	14	
		Our system solutions	16	
<b>EC radial blowers</b>	<b>18</b>	Air performance and recommended operating range	18	
		High-efficiency venturi	20	
		RadiMix VG 71	22	
		RadiMix VG 100	24	
		RadiMix VG 108	26	
		NRG 118	28	
		RG 148	30	
		NRG 137	32	
		RG 175	34	
		G1G 170	36	
		G3G 200	38	
		G3G 250	40	
		VG 250	42	
		VG 315	44	
		VG 450	46	
		<b>48</b>	Connectors	48
			Electrical interfaces	50
<b>Gas valves for pneumatic and electronic gas-air control systems</b>	<b>54</b>	G15/G20 E01	56	
		G20 D01	58	
		G15/G20 F01	60	
		G32 F01	62	
		G40 F01	64	
<b>Boiler control units</b>	<b>66</b>	Residential range – BCU 100	67	
		Commercial range – BCU 900	68	
<b>Agents Worldwide</b>	<b>70</b>			

Information

EC radial blowers

Gas valves

Boiler control units

Agents

# About ebm-papst.

As the leading supplier of ventilation and drive technology, ebm-papst is a highly respected engineering partner in many industries. With over 20,000 different products, we provide the right solution for just about any challenge. As the logical next stage in the development of our high-efficiency GreenTech EC technology, we believe that sustainably oriented industrial digitization offers the greatest future prospects for our customers. With GreenIntelligence, ebm-papst already offers intelligently interconnected complete solutions that are unrivaled worldwide and save energy costs and emissions.

**ebmpapst**

the engineer's choice

## Six reasons that make us the ideal partner:

### **Our systems expertise.**

You want the best solution for every project. The entire ventilation system must thus be considered as a whole. And that's what we do – with motor technology that sets standards, sophisticated electronics and aerodynamic designs – all from a single source and perfectly matched.

### **Our spirit of invention.**

We are also always able to develop customized solutions for you with our versatile team of over 600 engineers and technicians.

### **Our lead in technology.**

We are not only pioneers and trailblazers in the development of highly efficient EC technology, we also recognized the opportunities of digitization at an early stage. Therefore, we can offer solutions today that combine the highest energy efficiency with the advantages of IoT and digital networking.

### **Closeness to our customers.**

ebm-papst has 29 production locations worldwide (including facilities in Germany, China and the USA), together with 48 sales offices, each of which has a dense network of sales representatives. You will always have a local contact, someone who speaks your language and knows your market.

### **Our standard of quality.**

Our quality management is uncompromising, at every step in every process. This is underscored by our certification according to international standards including DIN EN ISO 9001, TS declaration of conformity and DIN EN ISO 14001.

### **Our sustainable approach.**

Assuming responsibility for the environment, for our employees and for society is an integral part of our corporate philosophy. We develop products with an eye to maximum environmental compatibility, in particular resource-preserving production methods. We promote environmental awareness among our young staff and are actively involved in sports, culture and education. That's what makes us a leading company – and an ideal partner for you.

# GreenIntelligence. *Making Engineers Happy.*



Why do our customers look so happy? Because when it comes to digitalization and sustainability, we provide them with a clear competitive edge with GreenIntelligence. The intelligent control and networking of fans and drives makes applications more powerful and efficient. Together with a long product life and highly efficient EC technology, we achieve lasting reductions in energy costs and emissions.

When it comes to **heating technology**, innovative, reliable, and energy-efficient products are needed. GreenIntelligence delivers solutions with smart networking capabilities that can be used to schedule service assignments as required and reduce variance. Furthermore, we are already preparing our gas/air composite systems for gas condensing boilers for climate-neutral use with hydrogen.

With our **comprehensive range of services**, we accompany you and your projects through every step in the process, from your application's planning to its deployment. Make use of our experts' product expertise to offer your customers new and advanced features. Or use our digital tools for optimal product selection. That will make your processes more efficient and get your products to market faster.

Now you know why ebm-papst makes engineers happy.



**André** opts for ready-to-install system solutions when it comes to condensing technology, which saves him a lot of adjustment effort.



# Gas condensing technology

*That's ebm-papst*



*Since creating the world's first gas blower for condensing technology, we have been the market leader for efficient components and complete, perfectly matched systems. We develop blowers, venturis, valves and burner controls together with our customers and supply everything as a full package. Enjoy the benefits of our well-established and constantly updated technology combined with unique system expertise.*

## More than just combustion

Modern gas condensing units are known for their productivity and efficient energy utilization. They have to be supplied with exactly the right amount of gas and air in an ideal ratio for every operating status and under all ambient conditions. Only then is hygienic and efficient combustion guaranteed. Compact dimensions keep the installation space to a minimum and at the same time provide better accessibility.

ebm-papst offers the world's most extensive product range for condensing technology. From just a few kilowatts for use in private households to several megawatts for supplying entire residential areas: We will always find the right solution. Our portfolio contains efficient EC radial blowers, gas valves and perfectly matched system solutions for every application.

## Advantages at a glance

- System and development expertise from the market leader
- Unrivalled power and modulation spectrum
- Well-established technology guarantees a long service life
- High power density thanks to compact design
- Outstanding efficiency levels
- Extremely smooth operation with a low noise level
- Pre-matched components for easy adaptation to the respective application
- Future-proof thanks to BUS connection option

# Ideally suited *for all applications*

## Residential technology 150 kW



- + Gas condensing heating systems for private households
- + Use as heating unit only, as combi-boiler or in conjunction with regenerative energies

2kw



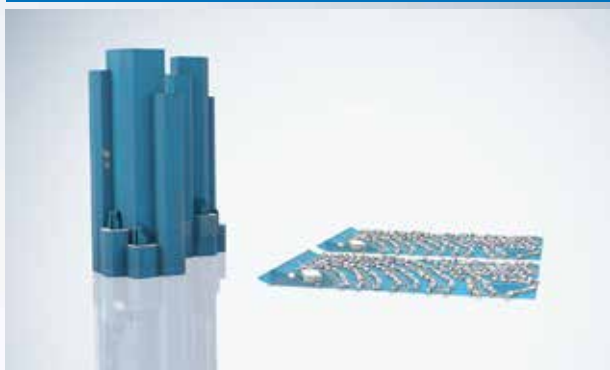


## Commercial technology



- + Gas condensing heating systems for applications ranging from small trade businesses to heating installations in large industrial plants
- + From single boiler to cascade system installations

## Apartment blocks / residential areas



- + The first condensing blower for heat output up to 4 MW rounds off our extensive product portfolio
- + For decentralized heating solutions keeping construction work and heat loss from long pipes to a minimum compared to large Combined Heat and Power stations



4MW

# Laboratory equipment

As market and technology leaders, we are constantly endeavoring to improve our performance and provide our customers with the best possible complete solution. Our engineers and technicians assist our customers with the development of their application right from the start to help advance the process of improvement. Before series launch we conduct extensive tests to ensure compliance with legal requirements and customer specifications. We have a wide range of measuring equipment at our disposal for this purpose.

For example our checks include examining design influences such as modifications to the gas-air mixing device, the backflow flaps or the venturi. All these factors can affect the efficiency, noise level and functionality of a condensing heating system. We take measurements on combustion control systems directly in the heating unit to ensure ideal matching of the individual components and motor performances. This is accompanied by flow simulation with direct incorporation of the results obtained.



## + Gas laboratory:

- Highly advanced measuring equipment with all the standard test and limit gases used in Europe, America and Asia
- Exhaust gas measurements (CO<sub>2</sub>, CO, air ratio), measurements with variable aerodynamic parameters (venturi pressure, mass flow, exhaust gas back pressure) to increase and optimize the modulation range
- Measurement of thermal and electrical performance data
- Simulation of wind and turbulence in the exhaust gas area, e. g. for electronic gas-air composite systems
- Communication with all standard bus systems, e. g. CANbus, LINbus, Modbus, ebus, OpenTherm

## + Climate chambers:

- Environmental simulation and service life tests with more than 30 climatic, cold and warm chambers
- Simulation of temperature range from 70°C to 300°C possible

## + Air performance test stands:

Checking of the operating characteristics of blowers and systems with recording of the air performance curves

**+ Endurance test rooms:**

About 150 different endurance tests with over 700 specimens in progress

**+ Sound measurement laboratory:**

Precise sound power and gas measurement technology with incorporation of real conditions

**+ Vibration test:**

For simulation of transportation and operation with different vibration profiles



**+ EMC measurement room:**

Emission and immission measurements

**+ Approvals:**

AGA, CCC, CSA, DVGW, EAC, KIWA, TÜV, UL, VDE

**+ Standards and Directives:**

- Low-Voltage Directive
- Machinery Directive
- Gas Appliance Regulation
- EMC Directive

**+ Additional equipment:**

- 3D microscope
- 3D plotter

**+ Gas valve test stands:**

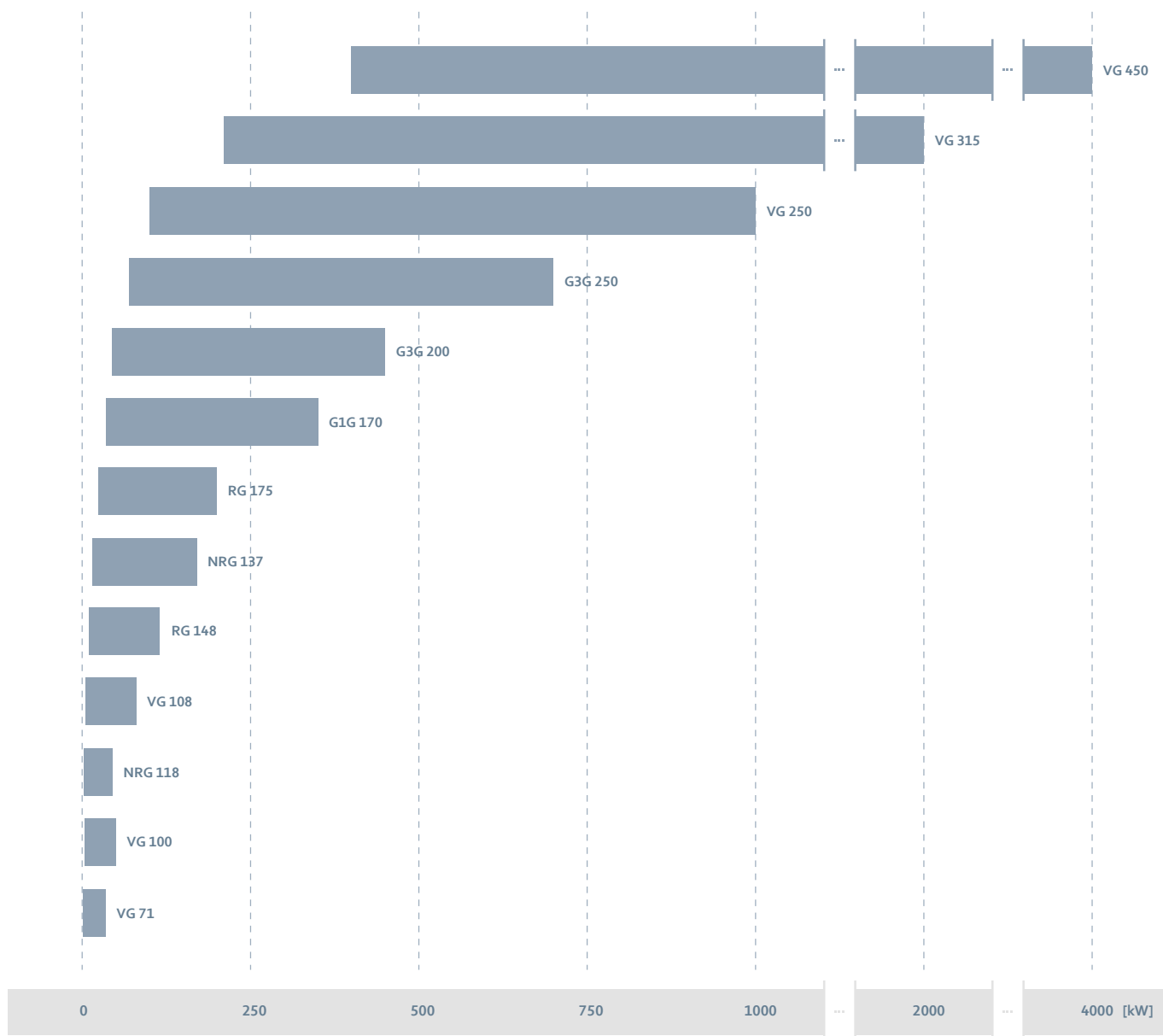
For gas valves with pneumatic and electronic modulation

# EC radial blowers

Modern gas-fired modulated condensing units have to be supplied with the optimum volume and mixture of air and fuel in all operating modes and ambient conditions. They require adjustable blowers with steep pressure/air flow characteristic curves and high maximum pressures. ebm-papst played a significant role in developing EC blowers for this purpose and now offers the widest range of

solutions for this application area. The technical data in this catalogue relate to intended use in gas condensing boilers with interior installation. The special features of these blowers also make them suitable for many other applications upon consultation. Examples include gas-powered cooking appliances for the food service industry or gas-powered deep fryers for commercial use.

## Heat load in kW



Heat output range depending on type of gas concerned and system conditions.

#### + Commutation electronics:

- Integrated into the blower unit and perfectly harmonized with the motor
- Integrated blockage switch-off and overheating protection as per EN 60335
- Various standard interfaces available for the respective burner control
- Optimized in accordance with EMC emissions and pollution

#### + Speed controls:

- Adjustment required in individual cases
- Controlled via PWM signal
- 0–10 V input optional
- Bus communication optional

#### + Bearings:

- Maintenance-free ball bearings covered on both sides for long service life and smooth operation
- Use of lubricants suited for the particular application

#### + Mounting positions:

- With horizontal shaft or vertical shaft with motor positioned at top
- For vibration-cushioned motor installation, the motor's weight is additionally supported by a flexible element.



#### + Drive:

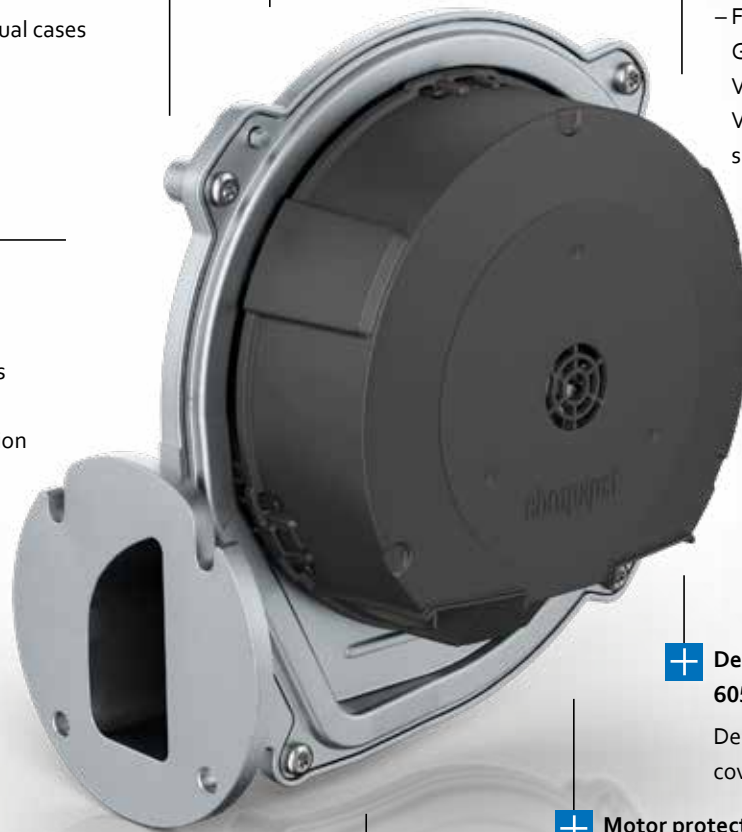
- Brushless DC (EC) motors with integrated electronics
- Vibration-free mounting to minimize structure-borne sound
- Adjustment of motor power on an individual basis

#### + Housing:

- Made of die-cast aluminum
- (respectively cast aluminum/sheet steel)
- Required density thanks to special seal for housing halves and drive shaft conduit
- Outlet flange adjustable to many designs

#### + Impellers:

- For type VG 71, 100 and 108, NRG and RG blowers of pentane-resistant plastic: dynamically fine balanced
- For the G1G 170, G3G 200, G3G 250, VG 250, VG 315 and VG 450 models made of sheet aluminum



#### + Protection class:

Protection class I

#### + Degree of protection DIN EN 60529:2014:

Degree of protection IP00, with cover hood, as a built-in component

#### + Motor protection cap:

The adjustable rotation of the motor protection cap enables easy accessibility to the plugs and protection against dripping water in the application.

#### + Speed output:

- With Hall IC signal output; in case of motors for line voltage operation, speed signal output is galvanically isolated

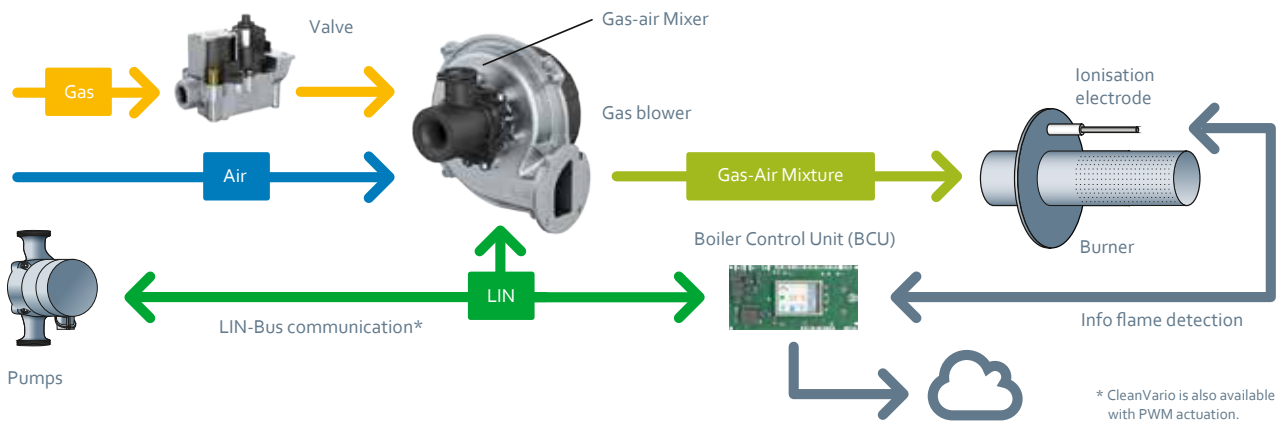
# Systems for condensing boiler technology

An optimum gas-air mixing ratio is crucial to the energy yield realized during combustion. The mixing ratio needs to be exactly adjusted to the heating value of the gases being used (e.g. natural gas, LPG or biogas). An additional challenge is the flexibility of heat output. The greater the modulation range of a heating system, the better its heating output can be adjusted to actual needs. The limits of the

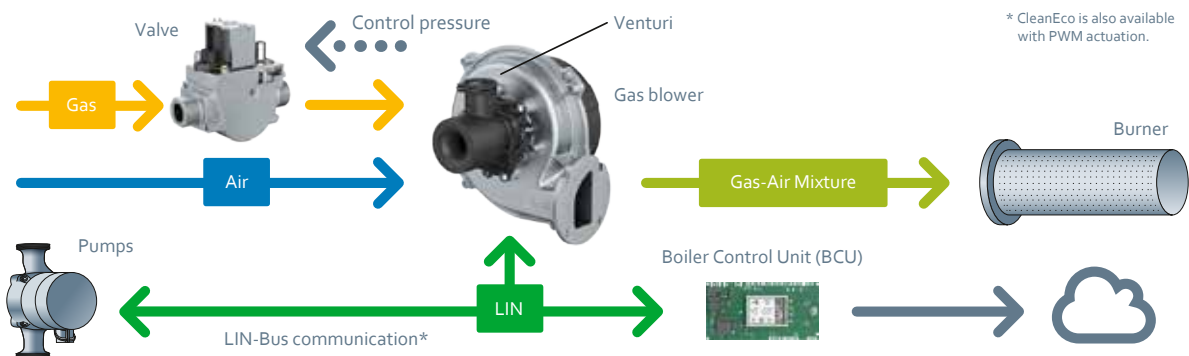
modulation level are determined among others by the minimum and maximum output of the premixing blower. This means its components need to be perfectly matched. That's why we offer complete heating systems including gas blowers, venturis, gas valves and boiler control units from a single source.

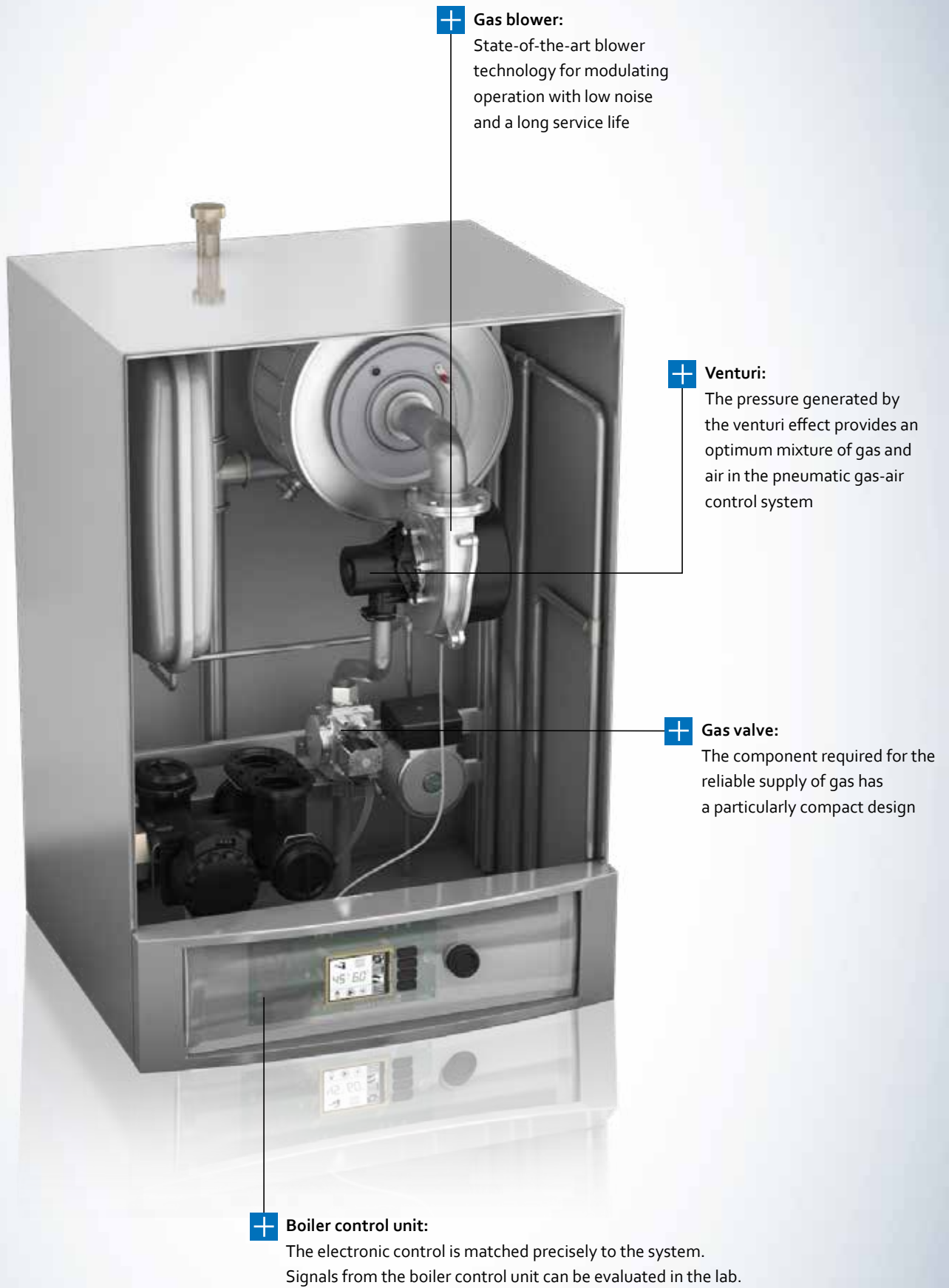
Ideally suited for use in electronic or pneumatic gas-air control systems

## CleanVario – electronic gas-air control system



## CleanEco – pneumatic gas-air control system





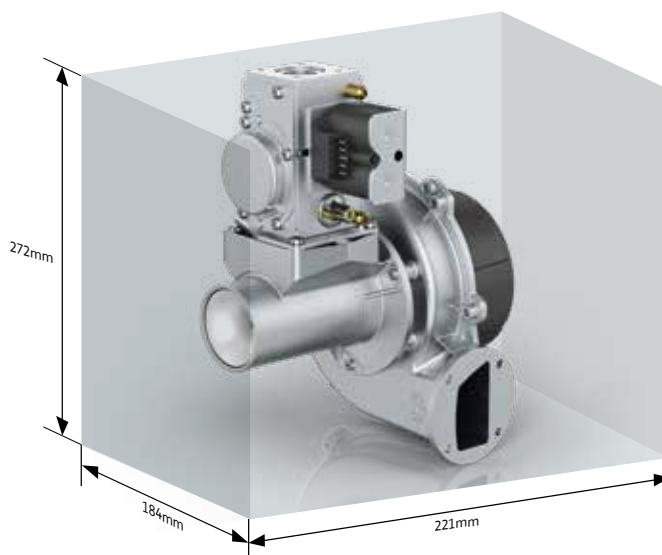
# Our system solutions at a glance

All heating technology components must be perfectly harmonized in order to achieve optimum performance and efficiency. This is why we offer complete heating systems, including gas blower, venturi, gas valve and boiler control unit from a single source.

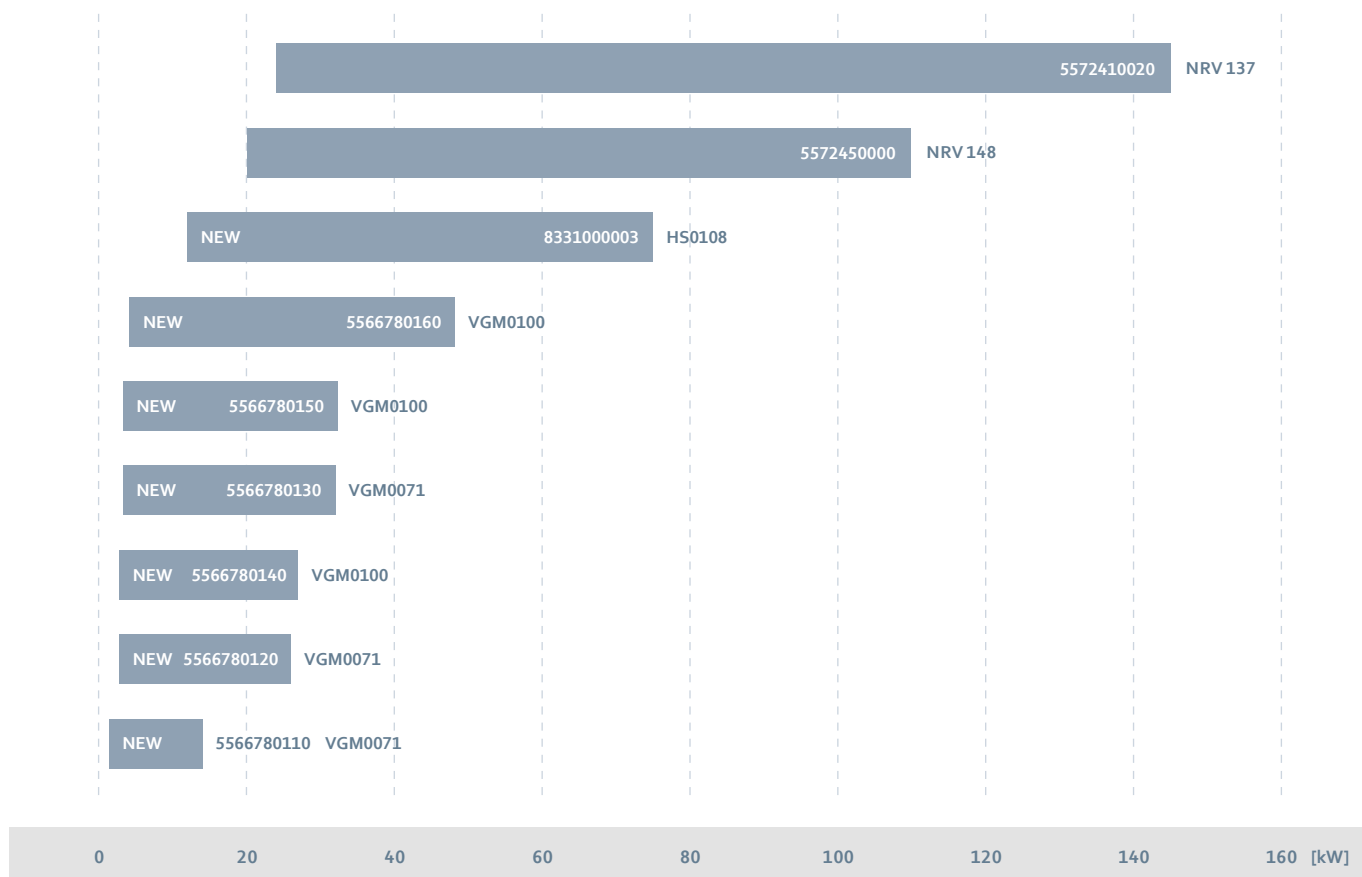
A key benefit of our combustion control systems is their optimal mixing ratio with simultaneously high modulation ranges. To achieve this high level of efficiency, we provide different venturis i.e. high-efficiency venturi or multiventuri, depending on the heat output range.

Our venturi solutions provide you with a wide variety of motor performances and options for assigning our systems to your devices. This gives you the benefit of flexible integration into compact spaces.

We supply our systems as completely tested, harmonized units with optimized interfaces to minimize your effort.

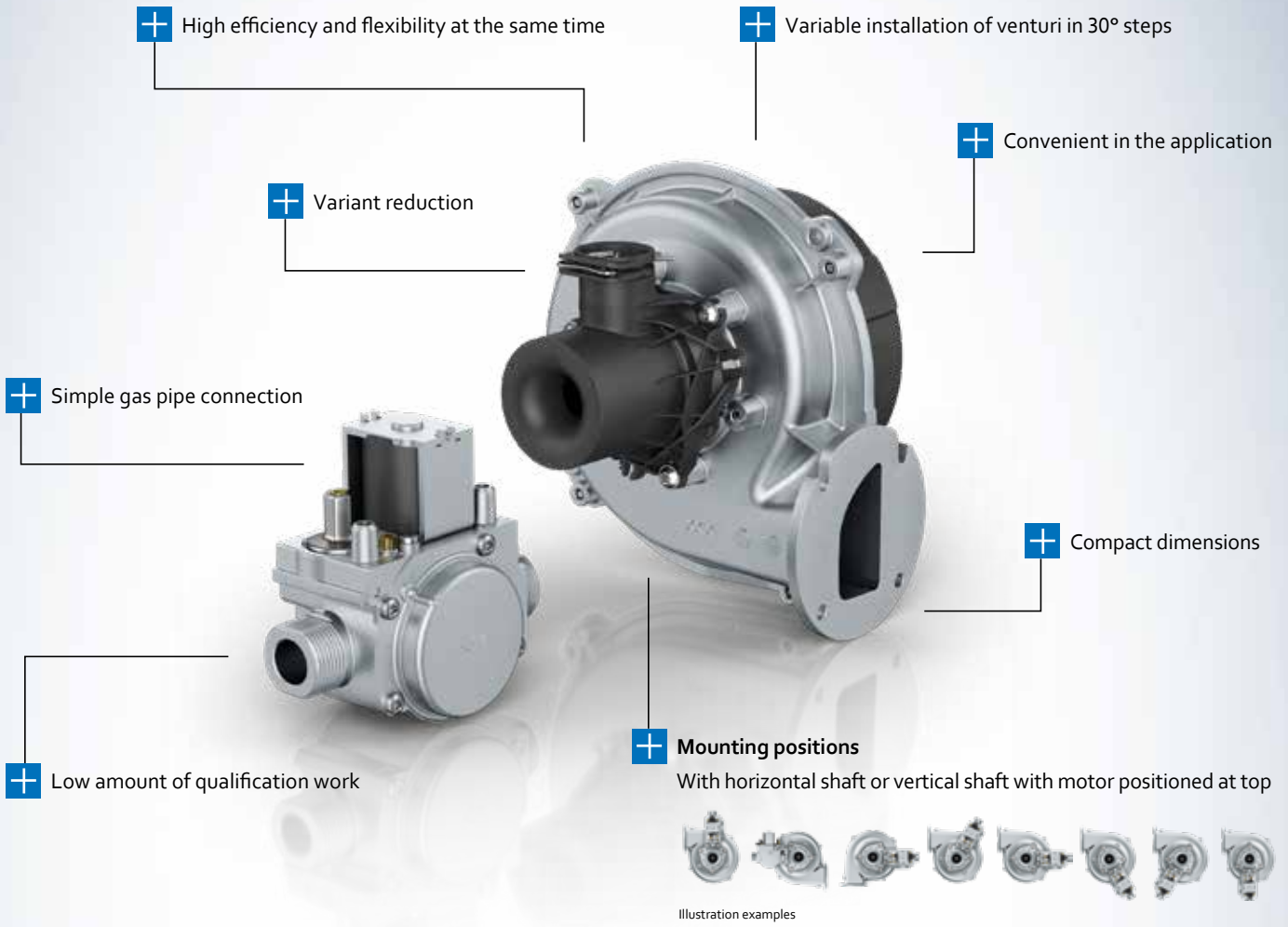


## Heat load in kW



Heat output range depending on type of gas concerned and system conditions. Additional system solutions on request (see page 17).





**System solutions**

Heat output range [kW]	System solution	Gas blower	Venturi	Gas valve	Boiler control unit	Part number
1.4 – 14	VGM0071	RadiMix VG 71	High-efficiency venturi	E01	CleanEco	5566780110
3 – 23	NRV 118	NRG 118	Multiventuri	E01	CleanEco	5573432010
2.8 – 26	VGM0071	RadiMix VG 71	High-efficiency venturi	E01	CleanEco	5566780120
2.8 – 27	VGM0100	RadiMix VG 100	High-efficiency venturi	E01	CleanEco	5566780140
5 – 28	NRV 118	NRG 118	Multiventuri	E01	CleanEco	5573432020
3.3 – 32	VGM0071	RadiMix VG 71	High-efficiency venturi	E01	CleanEco	5566780130
3.3 – 32	VGM0100	RadiMix VG 100	High-efficiency venturi	E01	CleanEco	5566780150
7 – 42	NRV 118	NRG 118	Multiventuri	E01	CleanEco	5573432030
4.2 – 48	VGM0100	RadiMix VG 100	High-efficiency venturi	E01	CleanEco	5566780160
12 – 75	HS0108	RadiMix VG 108	Multiventuri	D01	CleanEco	8331000003
20 – 110	NRV 148	RG 148	Multiventuri	D01	CleanEco	5572450000
24 – 145	NRV 137	NRG 137	Multiventuri	D01	CleanEco	5572410020

# Air performance, recommended operating range & heating power modulation

## EC radial blower



### Air performance curve:

Air performance curves are determined in accordance with DIN ISO 5801, installation type A or C, on a chamber testing platform with outlet side connection.

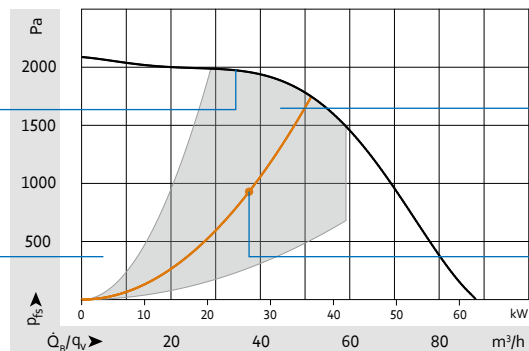
They indicate the pressure increase  $p_{fs}$  as a function of the air flow  $q_v$  and apply to an air density of  $\rho = 1.14 \text{ kg/m}^3 \pm 3.5\%$ .

### Recommended operating range:



Our gas blowers are developed for operation in the recommended operating range, which is highlighted in gray in the characteristic curve below.

In this range, you will benefit from the blower's maximum overall efficiency and optimized acoustics. The service life is tested in this range. The recommended operating range makes it easier to select the right blower for your application.



Outside the highlighted range in gray, the electronics, motor and parts of the blower that carry air only convert a reduced portion of the electrical input power into usable air performance. The motor and electronics have been optimally designed to comply with strict energy guidelines (ErP2015). Therefore, it is important to operate the blower in the recommended operating range in order to achieve maximum efficiency and minimal noise emissions.

#### Definitions:

- $q_v$  : Air flow rate [m<sup>3</sup>/h]
- $\dot{Q}_B$  : Heat output in [kW]
- $P_w$  : Electrical power consumption in [W]
- $p_{fs}$  : Pressure increase in [Pa]

The operating point of the blower moves along the system characteristic curve at a variable speed. The mostly quadratic characteristic curve arises from the pressure loss in the system (venturi mixer, intake and exhaust pipe, heat exchanger, burner) at a given air flow rate.



### Efficiency and losses of the blower:

### System characteristic curve:

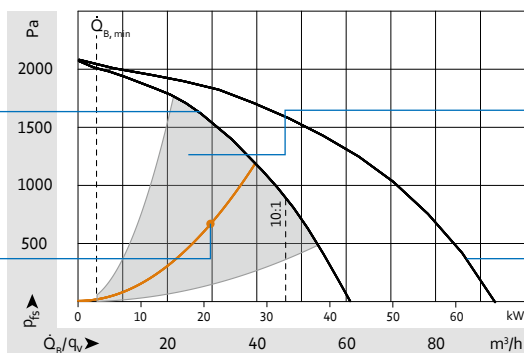


# System solution (blower & venturi)



## Air performance curve: (of the system, consisting of venturi and blower)

The air performance curve indicates the pressure increase  $p_{fs}$  of the system (venturi and blower). It is measured in accordance to DIN ISO 5801, installation category A. It indicates the pressure increase  $p_{fs}$  as a function of the air flow  $q_v$  and applies to an air density of  $\rho = 1.14 \text{ kg/m}^3 \pm 3.5\%$ .



## Recommended operating range: (of the system, consisting of venturi and blower)



Our systems, which consists of the high-efficiency venturi and a blower, are optimized to perform in a certain operating range. In this range (highlighted in grey), you will benefit from the system's maximum overall efficiency and a wide modulation range, depending on your additional application pressure losses (intake, burner, heat exchanger, exhaust-pipe).



## Operating curve of the application: ( $\dot{Q}_{min}$ and modulation)

The operating point of the system (venturi-mixer and blower) moves along the, typically quadratic, system characteristic's curve. Assuming a known gas type e.g. G20, the minimum heat load  $\dot{Q}_{B,min}$  for a system is only determined by the venturi-mixer nozzle diameter. Given a minimum venturi pressure of 40Pa for a typical mechanical-pneumatic gas valve,  $\dot{Q}_{B,min}$  is stated on page 21.

The maximum heat load is a function of the blower's maximum aerodynamic power and the remaining pressure losses in the application. In this example the remaining system pressure losses are 955Pa at 33kW heat load. Our gas blowers and venturi assembly options offer a high modulation range of the heat load with high efficiency.

## Air performance curve: (blower)



The air performance curve of the blower indicates a higher  $p_{fs}$  as the pressure losses in the venturi show a nearly quadratic behavior with volume flow  $q_v$ . The blower itself is still working in an optimal manner when the venturi is installed and the system is operated as recommended.

# High-efficiency venturi

## Gas-air mixing device



### Heat output range<sup>1</sup>

- Up to 53kW

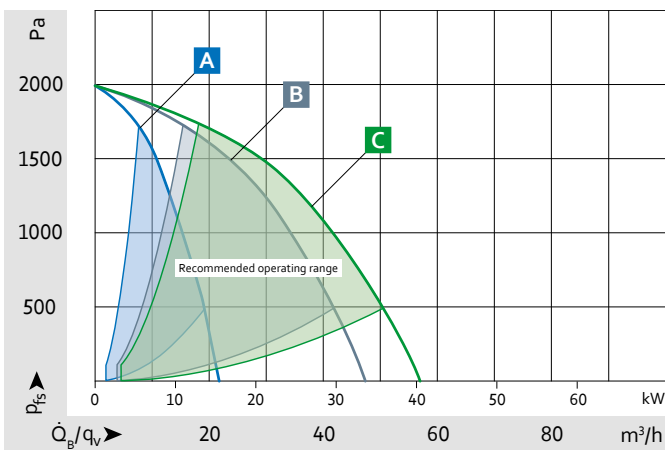
### Material/surface

- Plastic

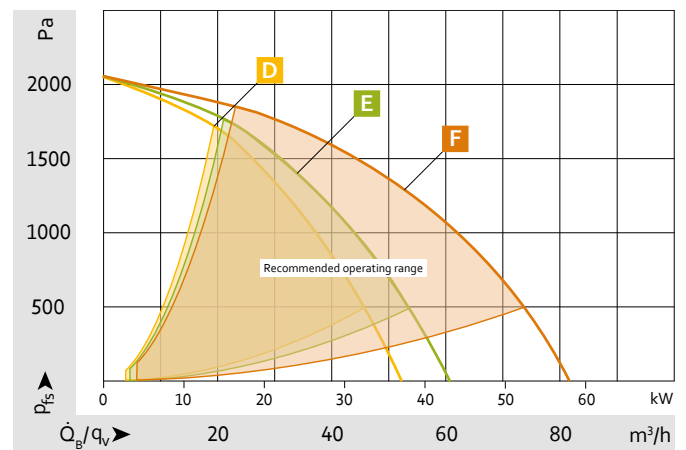
### Mechanical data

- Material approval: UL and VDE
- Can be combined with RadiMix VG 71 and RadiMix VG 100
- Depending on the tuning and application pressure losses, modulations up to 1:10 are possible

on page 21	Possible mounting positions
from page 18	Air performance and recommended operating ranges
from page 48	Mains connector X, interface connector W
from page 50	Electrical interfaces
More at	<a href="http://www.ebmpapst.com">www.ebmpapst.com</a>



RadiMix VG 71 with high-efficiency venturi



RadiMix VG 100 with high-efficiency venturi

#### Measuring requirements

Air performance measured in accordance with ISO 5801, installation category A.  
The specifications only apply under the specified measurement conditions  
( $\rho=1.14 \text{ kg/m}^3 \pm 3.5\%$ ) and may change due to the installation conditions.  
Heat output  $\dot{Q}_s$  for gas type G20 with air-fuel ratio  $\lambda=1.3$ .

<sup>1</sup> Heat output range

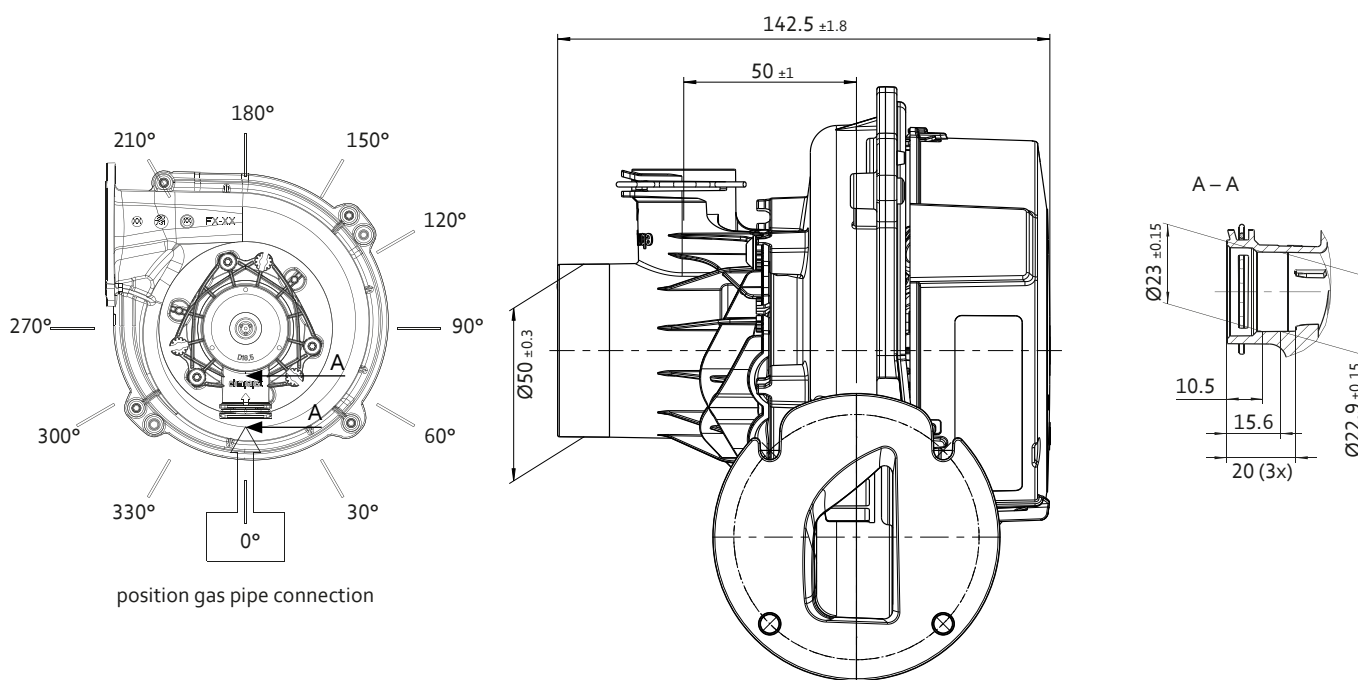
approx. data; heat output depends on gas type and the system conditions.

Curve	Type	Part number	Venturi nozzle diameter	Minimum heat load $\dot{Q}_{B,min}$	Heat load at x Pa application pressure loss	Pressure loss application	Weight
			mm	kW	kW	Pa	kg
Nominal voltage 220/240VAC, 50/60Hz							
<i>RadiMix VG 71 with high-efficiency venturi</i>							
<b>A</b>	VGM0071MSGBS	<b>5566780110</b>	10	1.4	14	500	1.0
<b>B</b>	VGM0071MSGBS	<b>5566780120</b>	14	2.8	28	750	1.0
<b>C</b>	VGM0071MSGBS	<b>5566780130</b>	15.5	3.3	33	825	1.0
<i>RadiMix VG 100 with high-efficiency venturi</i>							
<b>D</b>	VGM0100MSGBS	<b>5566780140</b>	14	2.8	28	945	1.0
<b>E</b>	VGM0100MSGBS	<b>5566780150</b>	15.5	3.3	33	955	1.0
<b>F</b>	VGM0100MSGBS	<b>5566780160</b>	18.5	4.2	42	1170	1.0

Subject to change. Type specifications as system solution consisting of fan and mounted venturi with gas pipe connection position 0°. Other versions on request. Only available in combination with an ebm-papst gas valve. Heat output range depending on type of gas concerned and system conditions.

**F** Technical drawing

Dimensions in mm



# EC radial blower

RadiMix VG 71



## Heat output range<sup>1</sup>

- Up to 41kW

## Material/surface

- Housing: Die-cast aluminum/sheet steel
- Impeller: Plastic
- Motor protection cap: Plastic

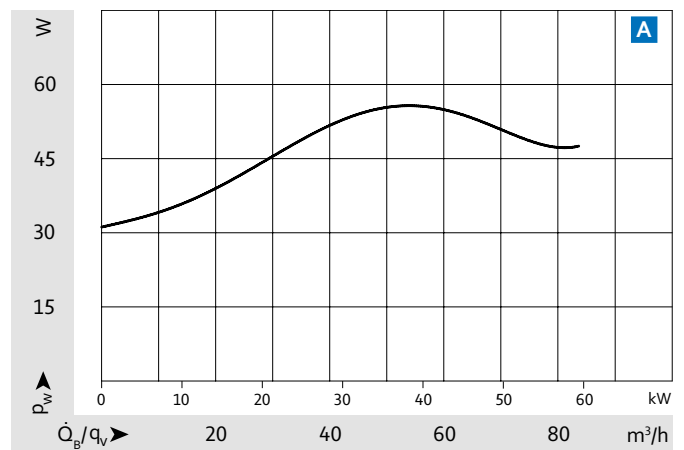
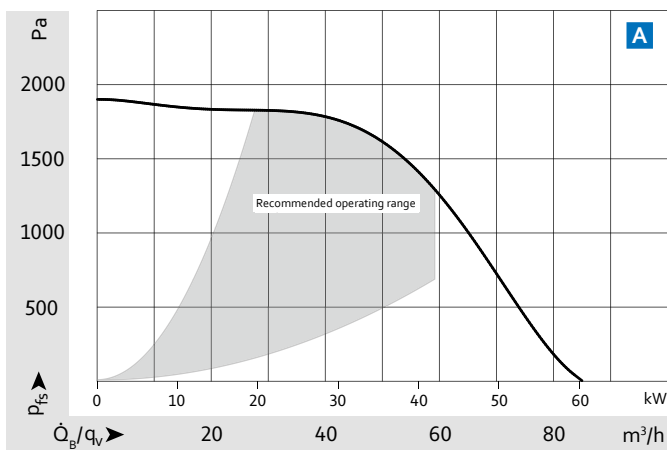
## Mechanical data

- Degree of protection: IP00, with cover hood, as a built-in component
- Installation position: With horizontal shaft or for vertical shaft with motor position above
- Bearing: Ball bearings
- High-efficiency venturi available on request

## Electrical data

- Designed for protection class I

on page 17	Possible mounting positions and system solutions
from page 18	Air performance and recommended operating ranges
from page 48	Mains connector X, interface connector W
from page 50	Electrical interfaces
More at	<a href="http://www.ebmpapst.com">www.ebmpapst.com</a>



### Measuring requirements

Air performance measured in accordance with ISO 5801, installation category C.  
The specifications only apply under the specified measurement conditions  
( $\rho=1.14 \text{ kg/m}^3 \pm 3.5\%$ ) and may change due to the installation conditions.  
Heat output  $\dot{Q}_s$  for gas type G20 with air-fuel ratio  $\lambda=1.3$ .

<sup>1</sup> Heat output range

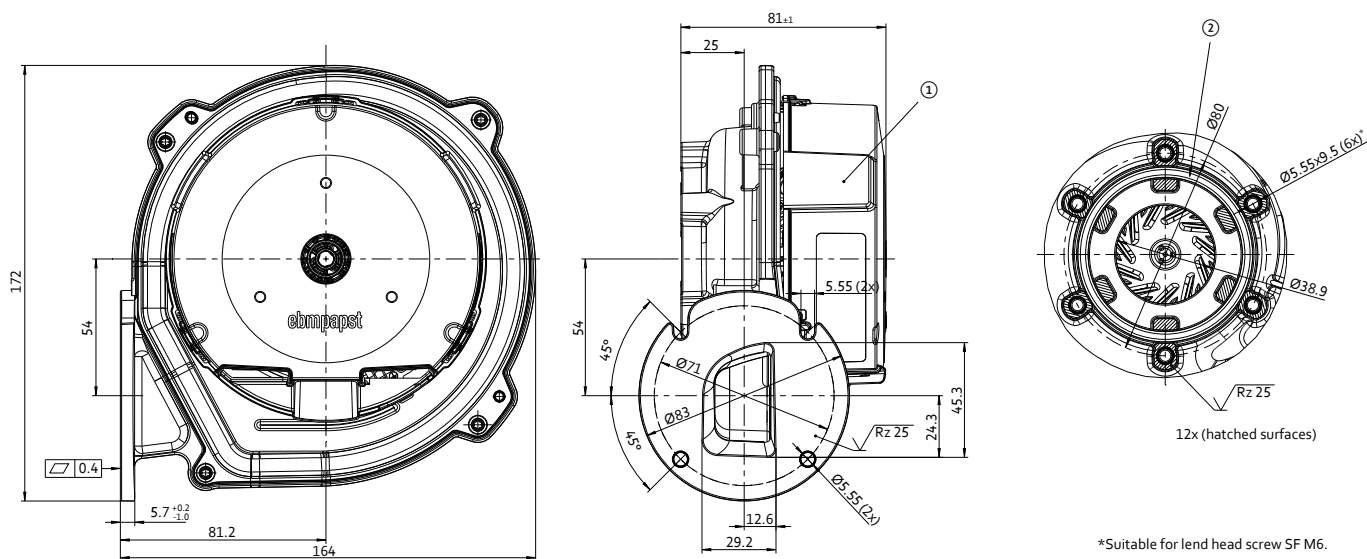
approx. data; heat output depends on gas type and the system conditions.

Curve	Type	Part number	Max. speed n	Max. input power $P_{ed}$	Perm. motor ambient temperature range	Perm. conveying medium temperature range	Weight
			rpm	W	°C	°C	kg
Nominal voltage 220/240VAC, 50/60Hz							
A	VGR0071MSGBS	8331000001	14000	65	0 up to 60	-15 up to 60	0.9

Subject to change. Temperature specifications dependent on time/temperature profile. Extended temperature range on request.

**A** Technical drawing

Dimensions in mm



- ① no handling on the motor cap permitted
- ② groove suitable for round sealing ring 63x3

# EC radial blower

RadiMix VG 100



## Heat output range<sup>1</sup>

- Up to 57kW

## Material/surface

- Housing: Die-cast aluminum/sheet steel
- Impeller: Plastic
- Motor protection cap: Plastic

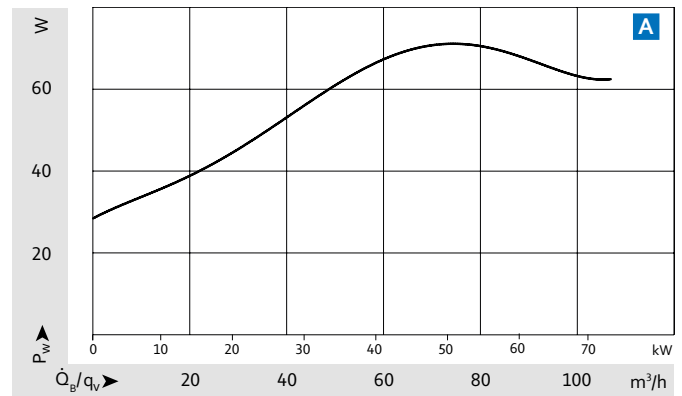
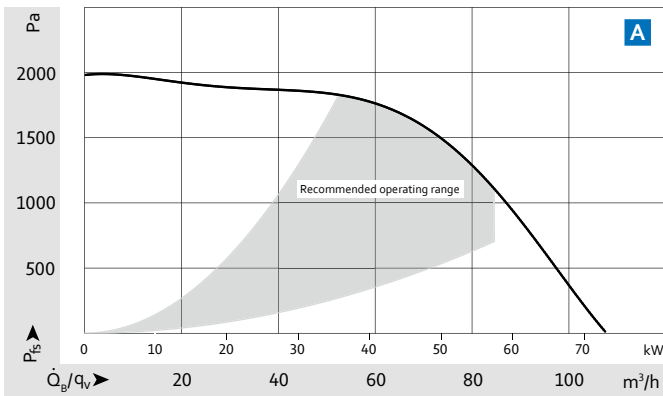
## Mechanical data

- Degree of protection: IP00, with cover hood, as a built-in component
- Installation position: With horizontal shaft or for vertical shaft with motor position above
- Bearing: Ball bearings
- High-efficiency venturi available on request

## Electrical data

- Designed for protection class I

on page 17	Possible mounting positions and system solutions
from page 18	Air performance and recommended operating ranges
from page 48	Mains connector X, interface connector W
from page 50	Electrical interfaces
More at	<a href="http://www.ebmpapst.com">www.ebmpapst.com</a>



### Measuring requirements

Air performance measured in accordance with ISO 5801, installation category C.

The specifications only apply under the specified measurement conditions ( $\rho=1.14 \text{ kg/m}^3 \pm 3.5\%$ ) and may change due to the installation conditions.

Heat output  $\dot{Q}_g$  for gas type G20 with air-fuel ratio  $\lambda=1.3$ .

<sup>1</sup> Heat output range

approx. data; heat output depends on gas type and the system conditions.

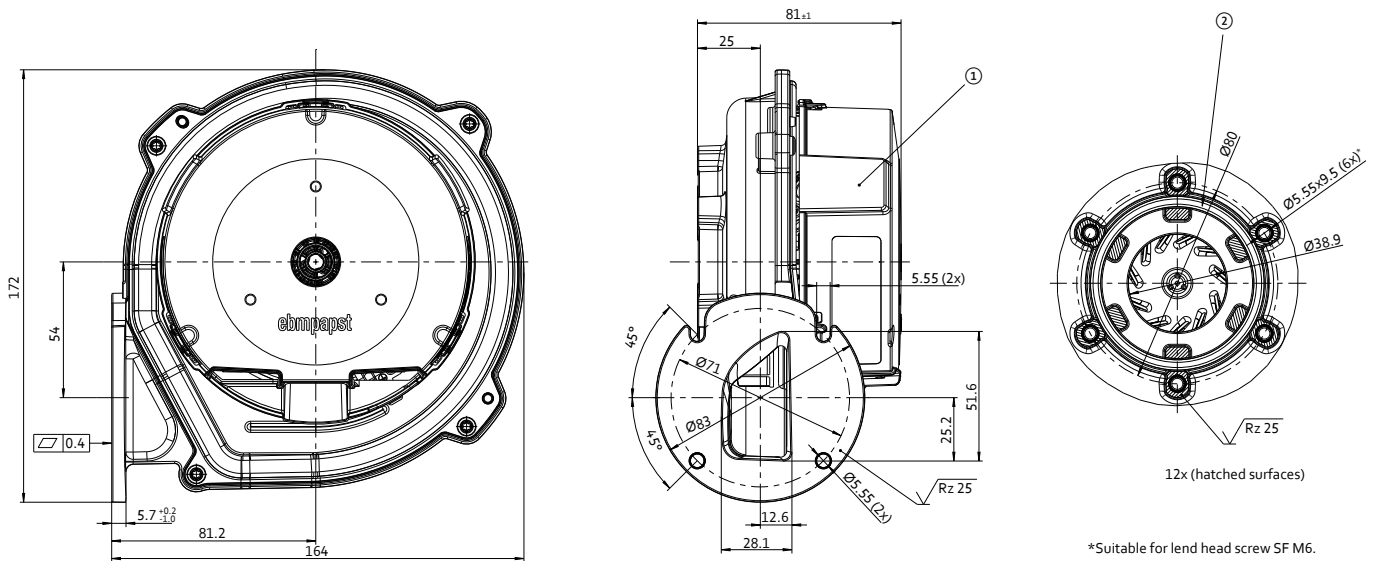


Curve	Type	Part number	Max. speed n	Max. input power $P_{ed}$	Perm. motor ambient temperature range	Perm. conveying medium temperature range	Weight
			rpm	W	°C	°C	kg
Nominal voltage 220/240VAC, 50/60Hz							
A	VGR0100MSGBS	8331000002	10000	90	0 up to 60	-15 up to 60	0.9

Subject to change. Temperature specifications dependent on time/temperature profile. Extended temperature range on request.

**A** Technical drawing

Dimensions in mm



- ① no handling on the motor cap permitted
- ② groove suitable for round sealing ring 63x3

# EC radial blower

RadiMix VG 108



## Heat output range<sup>1</sup>

- Up to 93kW

## Material/surface

- Housing: Die-cast aluminum/sheet steel
- Impeller: Plastic
- Motor protection cap: Plastic

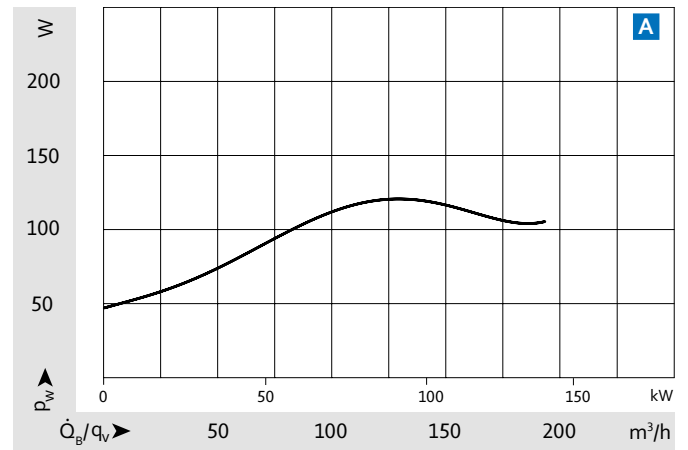
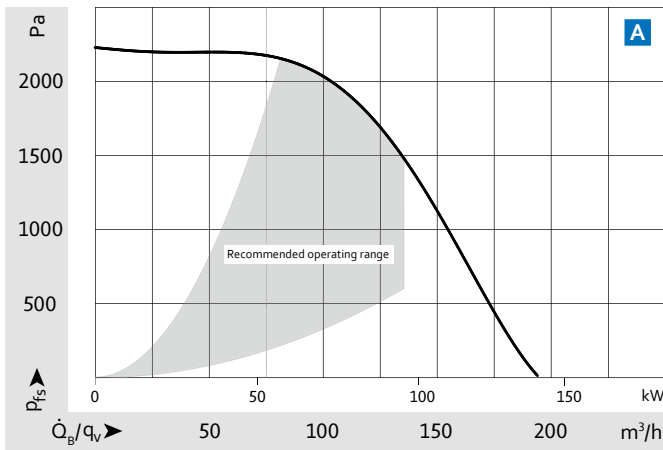
## Mechanical data

- Degree of protection: IP00, with cover hood, as a built-in component
- Installation position: With horizontal shaft or for vertical shaft with motor position above
- Bearing: Ball bearings
- High-efficiency venturi available on request

## Electrical data

- Designed for protection class I

on page 17	Possible mounting positions and system solutions
from page 18	Air performance and recommended operating ranges
from page 48	Mains connector X, interface connector W
from page 50	Electrical interfaces
More at	<a href="http://www.ebmpapst.com">www.ebmpapst.com</a>



### Measuring requirements

Air performance measured in accordance with ISO 5801, installation category C.  
The specifications only apply under the specified measurement conditions  
( $\rho=1.14 \text{ kg/m}^3 \pm 3.5\%$ ) and may change due to the installation conditions.  
Heat output  $\dot{Q}_B$  for gas type G20 with air-fuel ratio  $\lambda=1.3$ .

<sup>1</sup> Heat output range

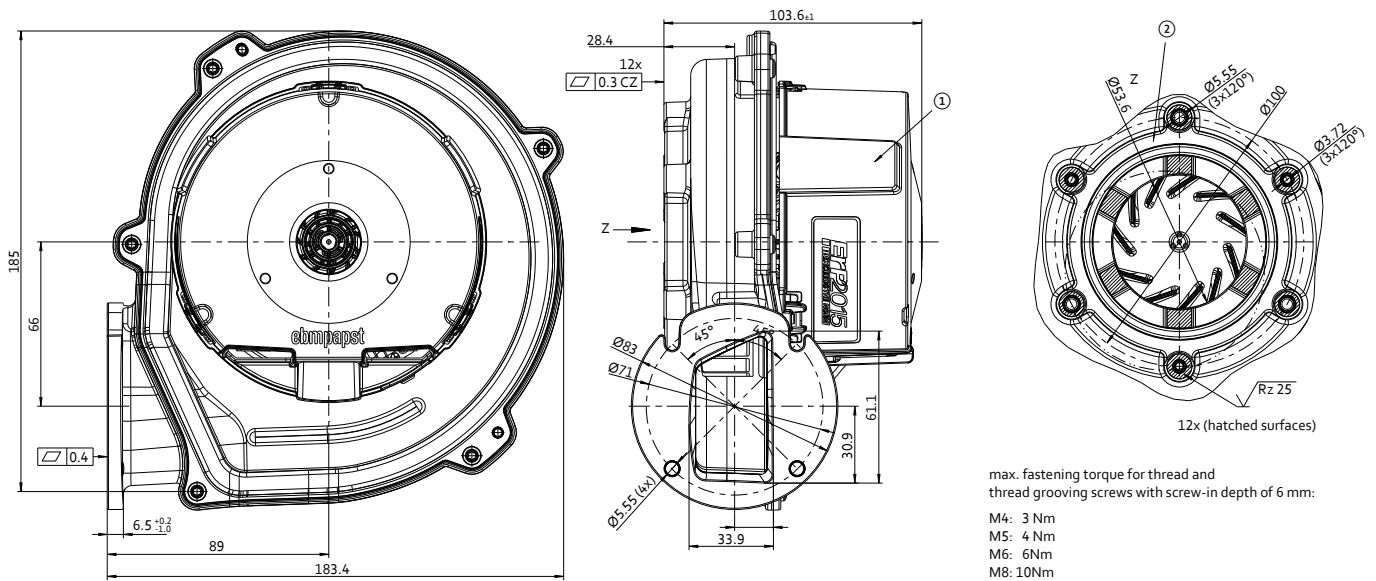
approx. data; heat output depends on gas type and the system conditions.

Curve	Type	Part number	Max. speed n	Max. input power $P_{ed}$	Perm. motor ambient temperature range	Perm. conveying medium temperature range	Weight
			rpm	W	°C	°C	kg
Nominal voltage 220/240VAC, 50/60Hz							
A	VGR0108MSGDS	5566780260	10000	135	0 up to 60	-15 up to 60	1.2

Subject to change. Temperature specifications dependent on time/temperature profile. Extended temperature range on request.

**A** Technical drawing

Dimensions in mm



- ① no handling on the motor cap permitted
- ② groove suitable for round sealing ring 70x3

# EC radial blower

NRG 118



### Heat output range<sup>1</sup>

- Up to 42kW

### Material/surface

- Housing: Aluminum
- Impeller: Plastic
- Motor protection cap: Plastic

### Mechanical data

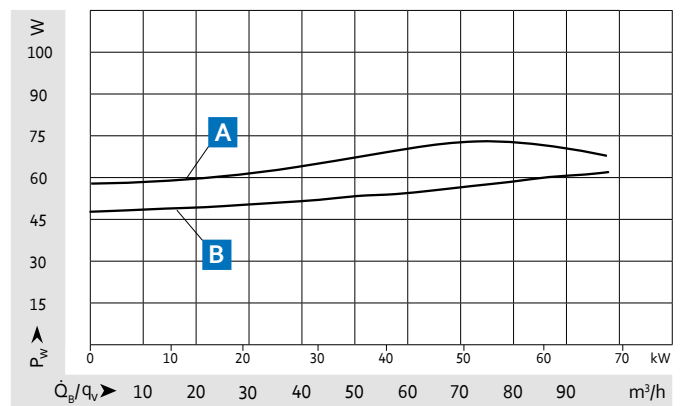
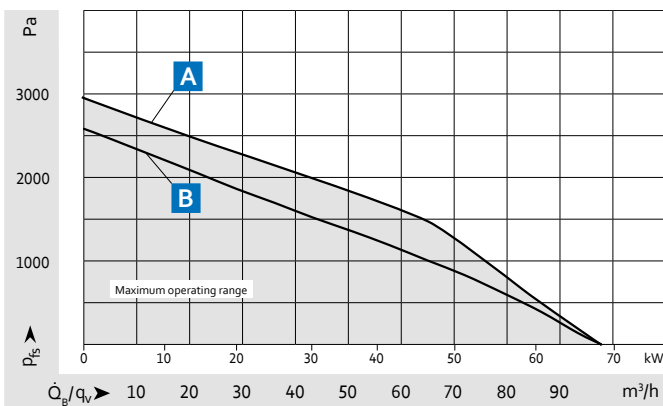
- Degree of protection: IP00, with cover hood, as a built-in component
- Installation position: With horizontal shaft or for vertical shaft with motor position above
- Bearing: Ball bearings
- Multi-venturi available

### Electrical data

- Designed for protection class I

on page 17	Possible mounting positions and system solutions
from page 48	Mains connector X, interface connector W
from page 50	Electrical interfaces
More at	<a href="http://www.ebmpapst.com">www.ebmpapst.com</a>

EC radial blowers



#### Measuring requirements

Air performance measured in accordance with ISO 5801, installation category C.

The specifications only apply under the specified measurement conditions ( $\rho=1.14 \text{ kg/m}^3 \pm 3.5\%$ ) and may change due to the installation conditions.

Heat output  $\dot{Q}_g$  for gas type G20 with air-fuel ratio  $\lambda=1.3$ .

<sup>1</sup> Heat output range

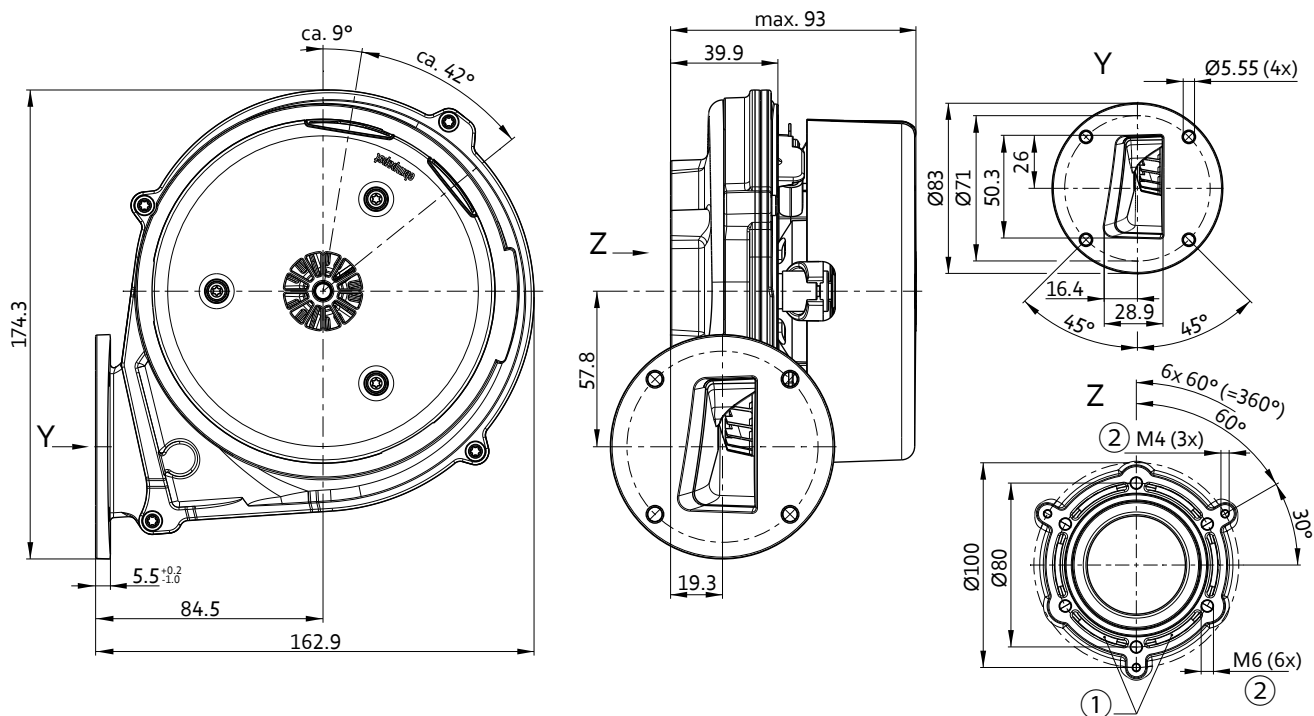
approx. data, heat output depends on gas type and the system conditions.

Curve	Type	Part number	Max. speed n	Max. input power $P_{ed}$	Perm. motor ambient temperature range	Perm. conveying medium temperature range	Weight
			rpm	W	°C	°C	kg
Nominal voltage 230VAC, 50Hz							
A	VGR0118NSHCS	5566731160	10000	70	0 up to 60	-15 up to 60	1.0
Nominal voltage 115VAC, 60Hz							
B	VGR0118NSHCS	5566730030	10000	61	0 up to 60	-15 up to 60	1.0

Subject to change. Temperature specifications dependent on time/temperature profile. Extended temperature range on request. Available with the option of a more powerful motor.

**A** Technical drawing

Dimensions in mm



- ① Groove suitable for round sealing ring 63 x 3
- ② 6.5 deep

# EC radial blower

RG 148



## Heat output range<sup>1</sup>

- Up to 110kW

## Material/surface

- Housing: Aluminum
- Impeller: Plastic
- Motor protection cap: Plastic

## Mechanical data

- Degree of protection: IP00, with cover hood, as a built-in component
- Installation position: With horizontal shaft or for vertical shaft with motor position above
- Bearing: Ball bearings
- Multi-venturi available

## Electrical data

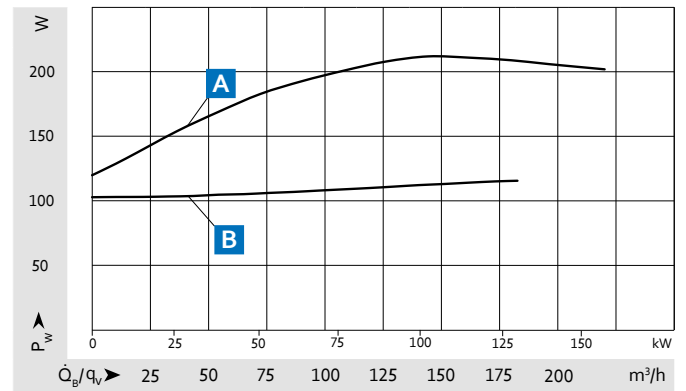
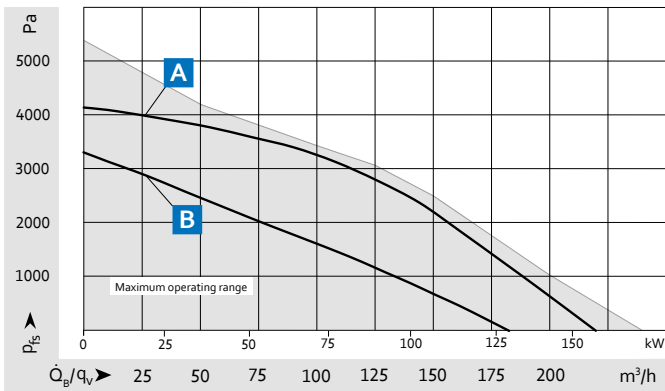
- Designed for protection class I

on page 17 Possible mounting positions and system solutions

from page 48 Mains connector X, interface connector W

from page 50 Electrical interfaces

More at [www.ebmpapst.com](http://www.ebmpapst.com)



### Measuring requirements

Air performance measured in accordance with ISO 5801, installation category C.

The specifications only apply under the specified measurement conditions ( $p=1.14 \text{ kg/m}^3 \pm 3.5\%$ ) and may change due to the installation conditions.

Heat output  $\dot{Q}_g$  for gas type G20 with air-fuel ratio  $\lambda=1.3$ .

<sup>1</sup> Heat output range

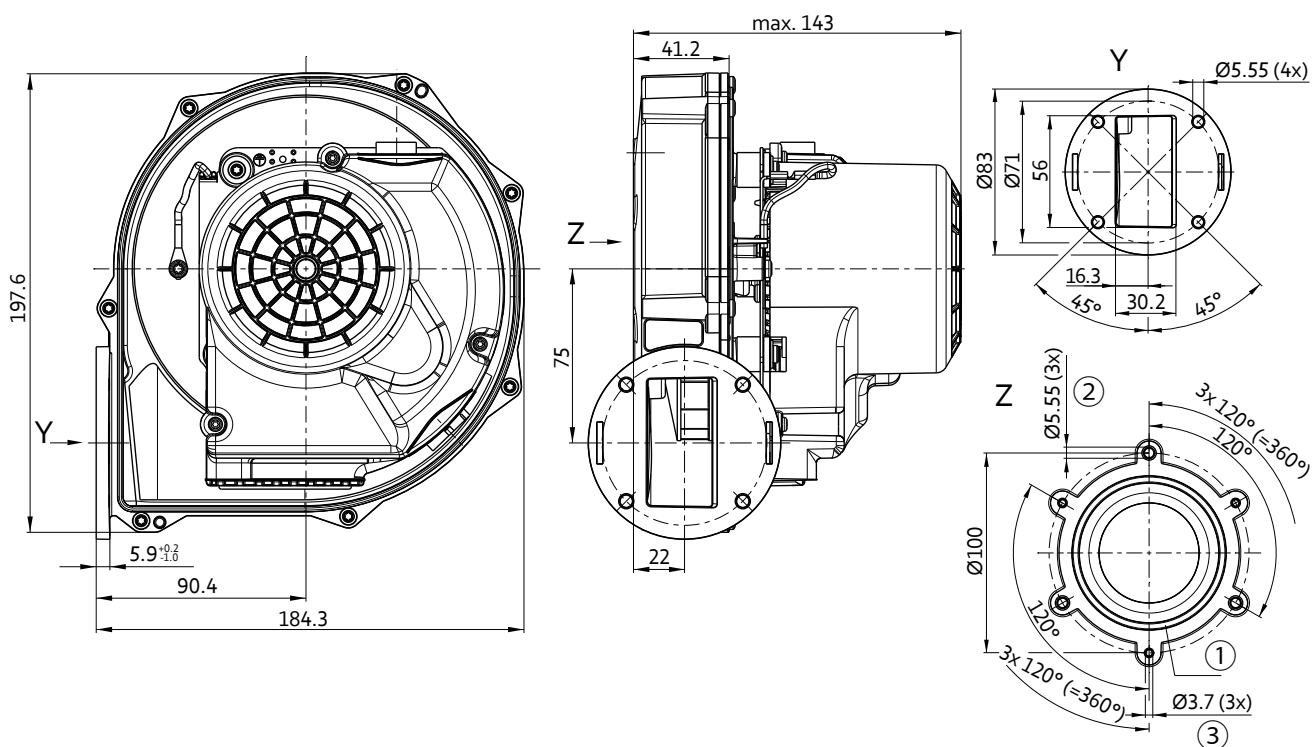
approx. data; heat output depends on gas type and the system conditions.

Curve	Type	Part number	Max. speed n	Max. input power P <sub>ed</sub>	Perm. motor ambient temperature range	Perm. conveying medium temperature range	Weight
			rpm	W	°C	°C	kg
Nominal voltage 230VAC, 50/60Hz							
<b>A</b>	VGR0148XSHGS	5566725230	9000	200	0 up to 60	-15 up to 60	2.1
Nominal voltage 120VAC, 60Hz							
<b>B</b>	VGR0148XSHGS	on request	8200	130	0 up to 60	-15 up to 60	2.0

Subject to change. Temperature specifications dependent on time/temperature profile. Extended temperature range on request. Available with the option of a more powerful motor.

**A** Technical drawing

Dimensions in mm



- ① Groove suitable for round sealing ring 70 x 3
- ② 10.5 deep
- ③ 9.5 deep

# EC radial blower

NRG 137



## Heat output range<sup>1</sup>

- Up to 150kW

## Material/surface

- Housing: Aluminum
- Impeller: Plastic
- Motor protection cap: Plastic

## Mechanical data

- Degree of protection: IP00, with cover hood, as a built-in component
- Installation position: With horizontal shaft or for vertical shaft with motor position above
- Bearing: Ball bearings
- Multi-venturi available

## Electrical data

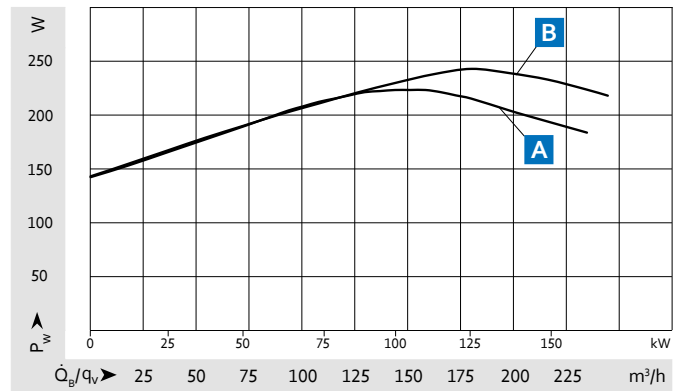
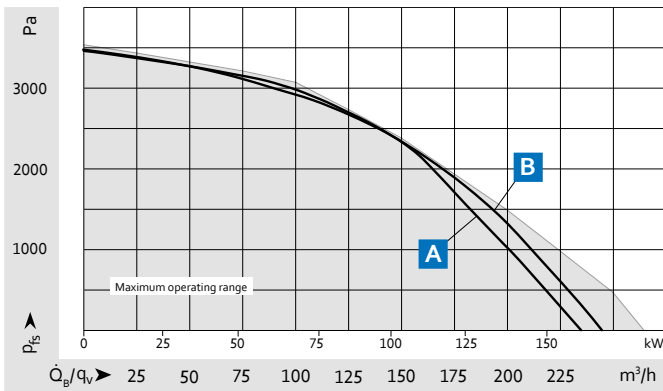
- Designed for protection class I

on page 17 Possible mounting positions and system solutions

from page 48 Mains connector X, interface connector W

from page 50 Electrical interfaces

More at [www.ebmpapst.com](http://www.ebmpapst.com)



### Measuring requirements

Air performance measured in accordance with ISO 5801, installation category C.

The specifications only apply under the specified measurement conditions ( $\rho=1.14 \text{ kg/m}^3 \pm 3.5\%$ ) and may change due to the installation conditions.

Heat output  $\dot{Q}_g$  for gas type G20 with air-fuel ratio  $\lambda=1.3$ .

<sup>1</sup> Heat output range

approx. data; heat output depends on gas type and the system conditions.

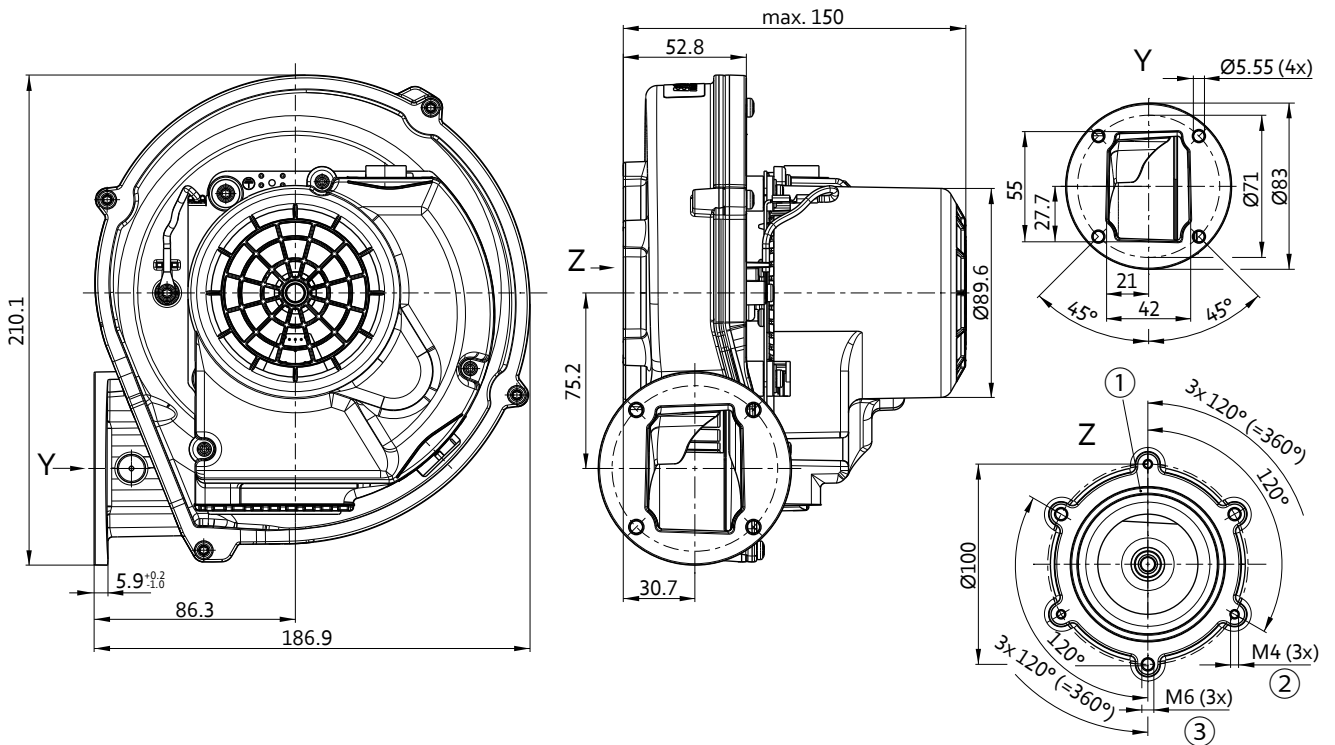


Curve	Type	Part number	Max. speed n	Max. input power $P_{ed}$	Perm. motor ambient temperature range	Perm. conveying medium temperature range	Weight
			rpm	W	°C	°C	kg
Nominal voltage 230VAC, 50/60Hz							
<b>A</b>	VGR0137NSHGS	<b>5566733110</b>	8500	220	0 up to 60	-15 up to 60	1.9
Nominal voltage 120VAC, 60Hz							
<b>B</b>	VGR0137NSHGS	<b>5566733040</b>	8500	250	0 up to 60	-15 up to 60	2.4

Subject to change. Temperature specifications dependent on time/temperature profile. Extended temperature range on request. Available with the option of a more powerful motor.

**A** Technical drawing

Dimensions in mm



- ① Groove suitable for round sealing ring 70 x 3
- ② 6.5 deep
- ③ 7.5 deep

# EC radial blower

RG 175



## Heat output range<sup>1</sup>

- Up to 200kW

## Material/surface

- Housing: Aluminum
- Impeller: Plastic
- Motor protection cap: Plastic

## Mechanical data

- Degree of protection: IP00, with cover hood, as a built-in component
- Installation position: With horizontal shaft or for vertical shaft with motor position above
- Bearing: Ball bearings

## Electrical data

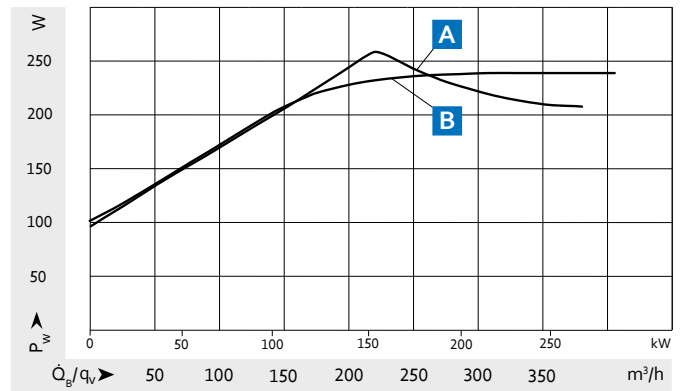
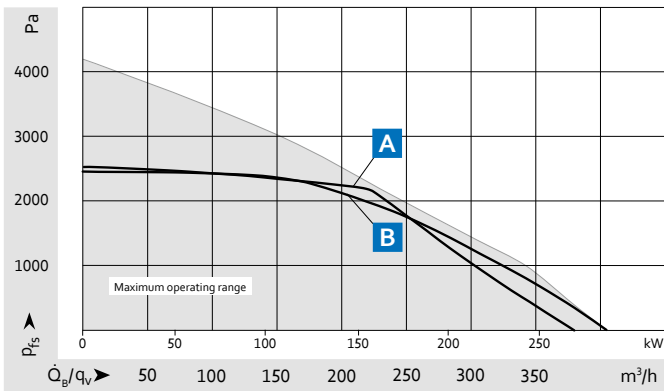
- Designed for protection class I

on page 17 Possible mounting positions

from page 48 Mains connector X, interface connector W

from page 50 Electrical interfaces

More at [www.ebmpapst.com](http://www.ebmpapst.com)



### Measuring requirements

Air performance measured in accordance with ISO 5801, installation category C.

The specifications only apply under the specified measurement conditions ( $\rho=1.14 \text{ kg/m}^3 \pm 3.5\%$ ) and may change due to the installation conditions.

Heat output  $\dot{Q}_g$  for gas type G20 with air-fuel ratio  $\lambda=1.3$ .

### <sup>1</sup> Heat output range

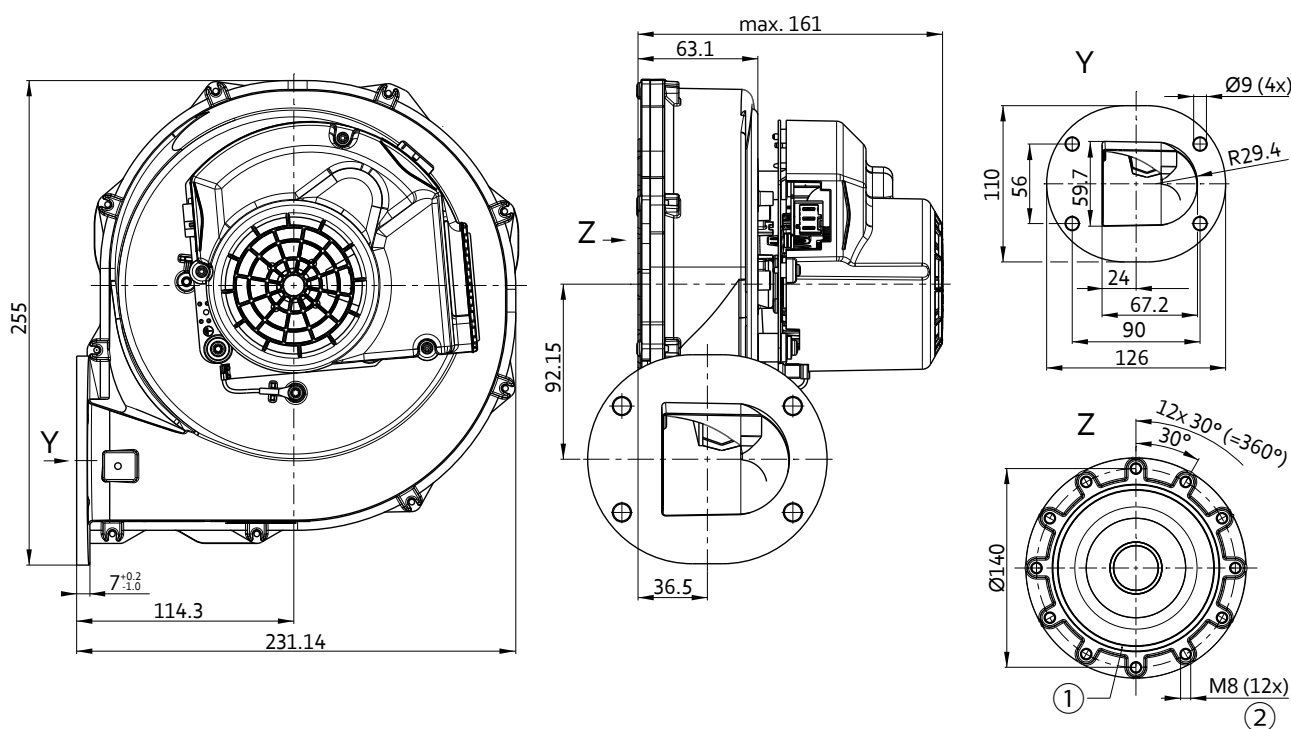
approx. data; heat output depends on gas type and the system conditions.

Curve	Type	Part number	Max. speed n	Max. input power $P_{ed}$	Perm. motor ambient temperature range	Perm. conveying medium temperature range	Weight
			rpm	W	°C	°C	kg
Nominal voltage 230VAC, 50/60Hz							
<b>A</b>	VGR0175XSHGS	5566714090	6250	270	0 up to 60	-15 up to 60	2.9
Nominal voltage 120VAC, 60Hz							
<b>B</b>	VGR0175XSHGS	5566714002	6250	240	0 up to 60	-15 up to 60	2.8

Subject to change. Temperature specifications dependent on time/temperature profile. Extended temperature range on request. Available with the option of a more powerful motor.

**A** Technical drawing

Dimensions in mm



- ① Groove suitable for round sealing ring 110 x 3.4
- ② 8.5 deep

# EC radial blower

G1G 170



## Heat output range<sup>1</sup>

- Up to 300kW

## Material/surface

- Housing: Aluminum
- Impeller: Sheet aluminum
- Motor protection cap: Plastic

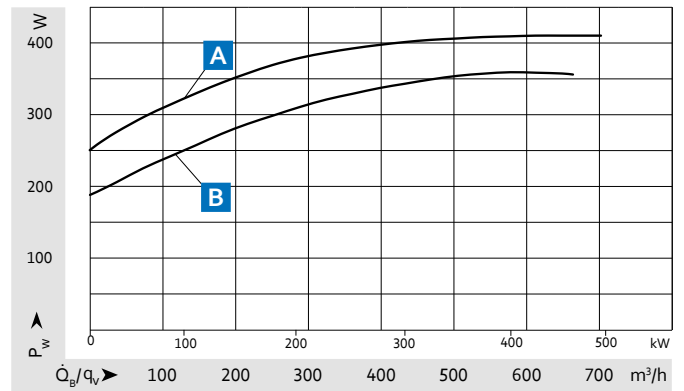
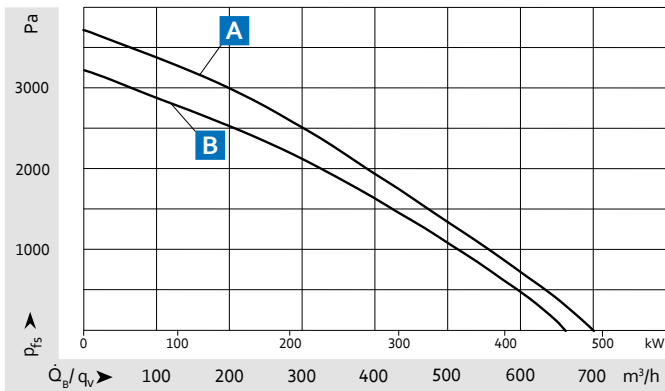
## Mechanical data

- Degree of protection: IP20 with cover hood
- Installation position: With horizontal shaft or for vertical shaft with motor position above
- Bearing: Ball bearings

## Electrical data

- Designed for protection class I

on page 17	Possible mounting positions
from page 48	Mains connector X, interface connector W
from page 50	Electrical interfaces
More at	<a href="http://www.ebmpapst.com">www.ebmpapst.com</a>



### Measuring requirements

Air performance measured in accordance with ISO 5801, installation category C.

The specifications only apply under the specified measurement conditions ( $\rho=1.14 \text{ kg/m}^3 \pm 3.5\%$ ) and may change due to the installation conditions.

Heat output  $\dot{Q}_g$  for gas type G20 with air-fuel ratio  $\lambda=1.3$ .

### <sup>1</sup> Heat output range

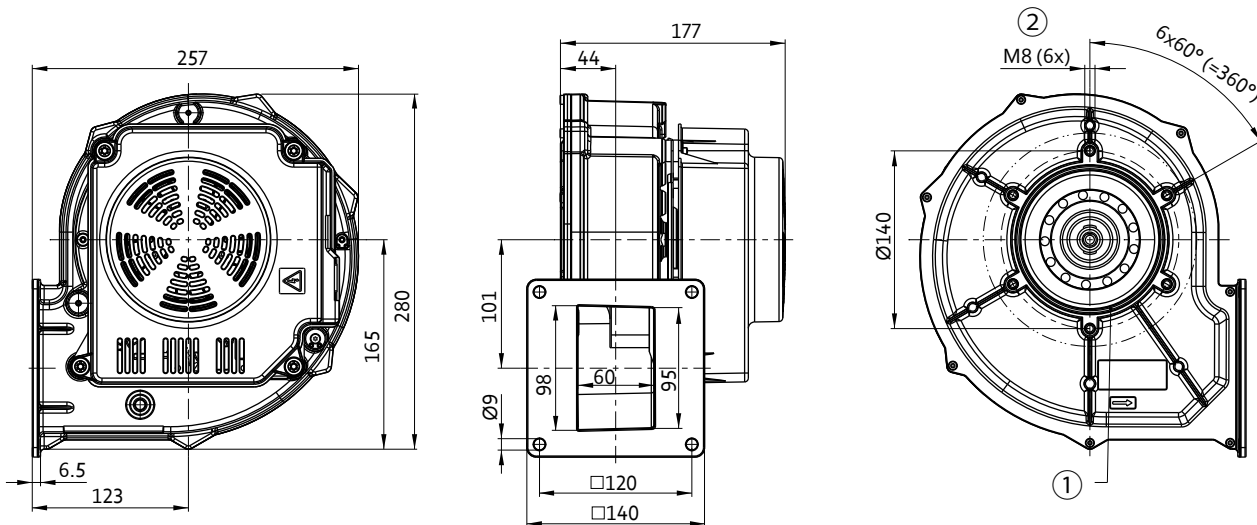
approx. data; heat output depends on gas type and the system conditions.

Curve	Type	Part number	Max. speed n	Max. input power P <sub>ed</sub>	Perm. motor ambient temperature range	Perm. conveying medium temperature range	Weight
			rpm	W	°C	°C	kg
Nominal voltage 1~230VAC, 50/60Hz							
<b>A</b>	VGR0170XSPGS	<b>5560001182</b>	7200	420	0 up to 55	-15 up to 55	5.0
Nominal voltage 1~115VAC, 50/60Hz							
<b>B</b>	VGR0170XSPGS	<b>5560001011</b>	7200	360	0 up to 55	-15 up to 55	5.0

Subject to change. Temperature specifications dependent on time/temperature profile. Extended temperature range on request.

**A** Technical drawing

Dimensions in mm



- ① Groove suitable for round sealing ring 110 x 3.2
- ② 9.5 deep

# EC radial blower

G3G 200



## Heat output range<sup>1</sup>

- Up to 500kW

## Material/surface

- Housing: Aluminum
- Impeller: Sheet aluminum
- Motor protection cap: Plastic

## Mechanical data

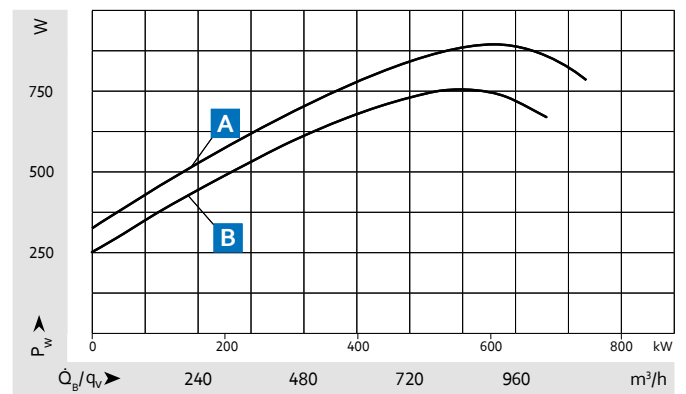
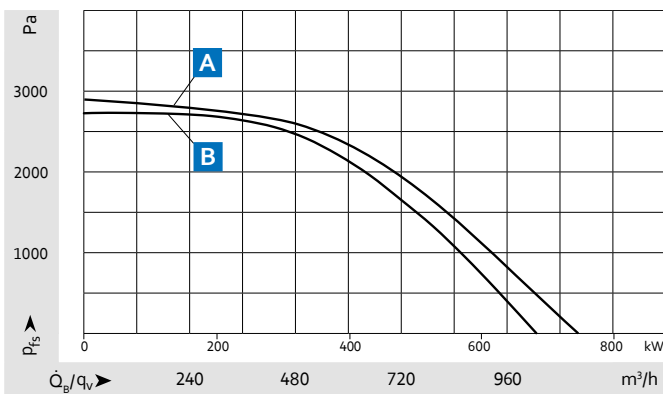
- Degree of protection: IP20 with cover hood
- Installation position: With horizontal shaft or for vertical shaft with motor position above
- Bearing: Ball bearings

## Electrical data

- Designed for protection class I

on page 17	Possible mounting positions
from page 48	Mains connector X, interface connector W
from page 50	Electrical interfaces
More at	<a href="http://www.ebmpapst.com">www.ebmpapst.com</a>

EC radial blowers



### Measuring requirements

Air performance measured in accordance with ISO 5801, installation category C.

The specifications only apply under the specified measurement conditions ( $\rho=1.14 \text{ kg/m}^3 \pm 3.5\%$ ) and may change due to the installation conditions.

Heat output  $\dot{Q}_g$  for gas type G20 with air-fuel ratio  $\lambda=1.3$ .

<sup>1</sup> Heat output range

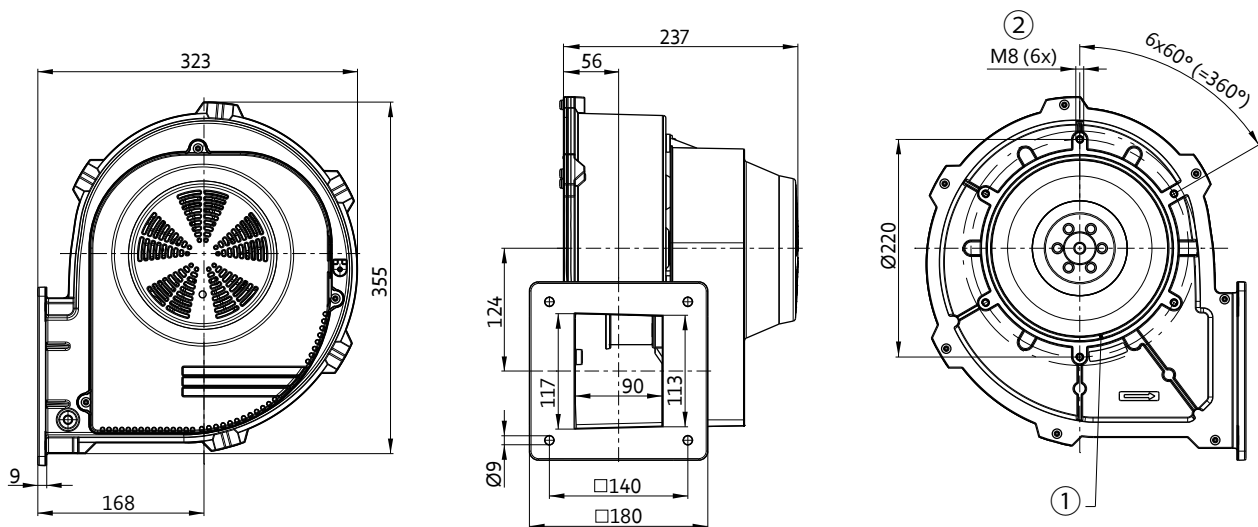
approx. data; heat output depends on gas type and the system conditions.

Curve	Type	Part number	Max. speed n	Max. input power P <sub>ed</sub>	Perm. motor ambient temperature range	Perm. conveying medium temperature range	Weight
			rpm	W	°C	°C	kg
Nominal voltage 1~230VAC, 50/60Hz							
<b>A</b>	VGR0200XSPKS	<b>5560003030</b>	6100	890	0 up to 50	-15 up to 50	10
Nominal voltage 1~115VAC, 50/60Hz							
<b>B</b>	VGR0200XSPKS	<b>5560003051</b>	5700	800	0 up to 60	-15 up to 60	10

Subject to change. Temperature specifications dependent on time/temperature profile. Extended temperature range on request.

**A** Technical drawing

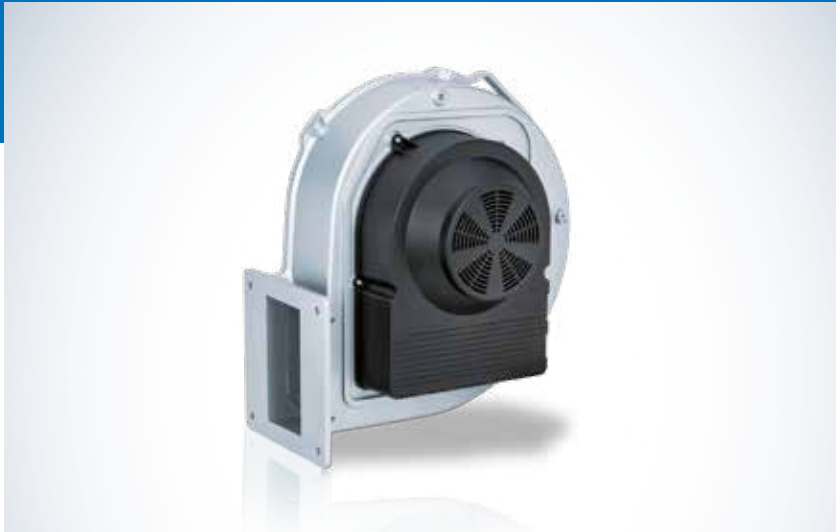
Dimensions in mm



- ① Groove suitable for round sealing ring 180 x 3.5
- ② 12 deep

# EC radial blower

G3G 250



## Heat output range<sup>1</sup>

- Up to 800kW

## Material/surface

- Housing: Aluminum
- Impeller: Metal
- Motor protection cap: Plastic

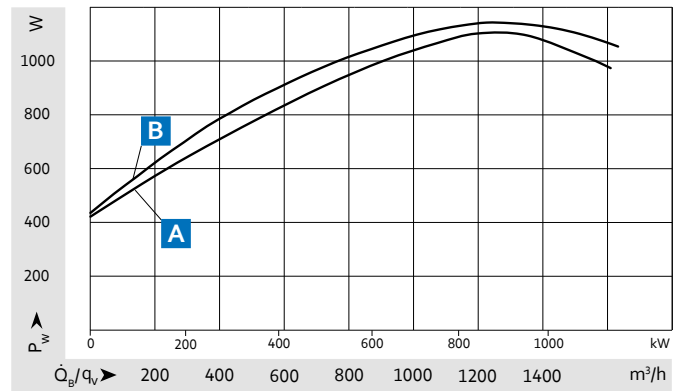
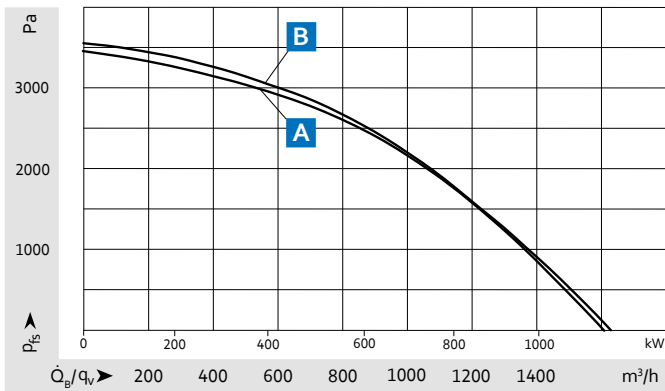
## Mechanical data

- Degree of protection: IP20 with cover hood
- Installation position: With horizontal shaft or for vertical shaft with motor position above
- Bearing: Ball bearings

## Electrical data

- Designed for protection class I

on page 17	Possible mounting positions
from page 48	Mains connector X, interface connector W
from page 50	Electrical interfaces
More at	<a href="http://www.ebmpapst.com">www.ebmpapst.com</a>



### Measuring requirements

Air performance measured in accordance with ISO 5801, installation category C.

The specifications only apply under the specified measurement conditions ( $p=1.14 \text{ kg/m}^3 \pm 3.5\%$ ) and may change due to the installation conditions.

Heat output  $\dot{Q}_g$  for gas type G20 with air-fuel ratio  $\lambda=1.3$ .

<sup>1</sup> Heat output range

approx. data; heat output depends on gas type and the system conditions.

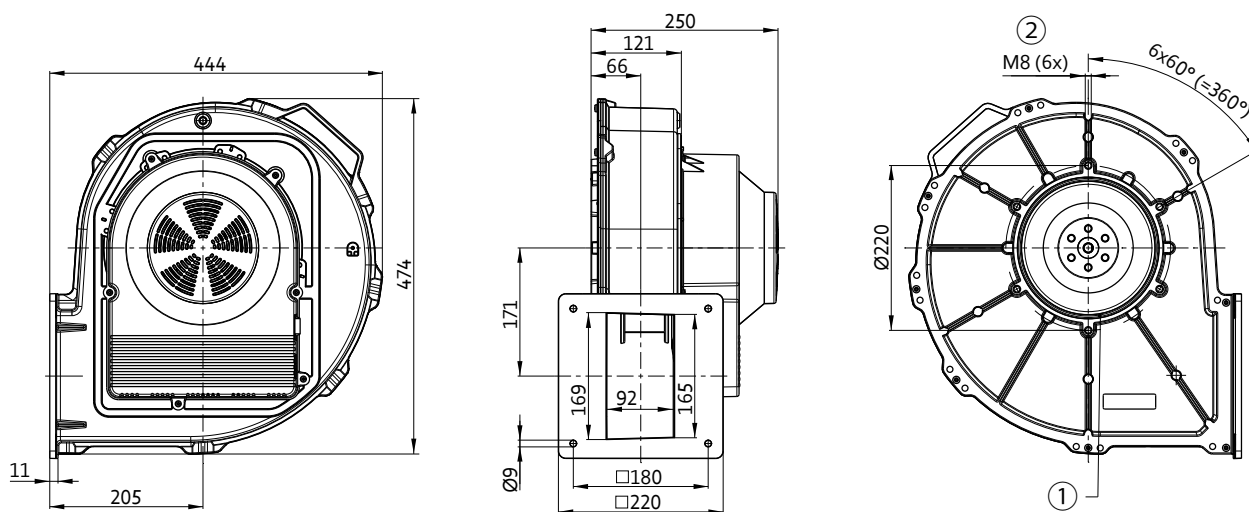


Curve	Type	Part number	Max. speed n	Max. input power P <sub>ed</sub>	Perm. motor ambient temperature range	Perm. conveying medium temperature range	Weight
			rpm	W	°C	°C	kg
Nominal voltage 1~230VAC, 50/60Hz							
<b>A</b>	VGR0250XSPKS	<b>5560005021</b>	5200	1150	0 up to 60	-15 up to 60	13
Nominal voltage 1~115VAC, 50/60Hz							
<b>B</b>	VGR0250XSPKS	<b>5560005051</b>	5200	1200	0 up to 60	-15 up to 60	13

Subject to change. Temperature specifications dependent on time/temperature profile. Extended temperature range on request.

**A** Technical drawing

Dimensions in mm



- ① Groove suitable for round sealing ring 180 x 3.5
- ② 12 deep

# EC radial blower

VG 250



## Heat output range<sup>1</sup>

- Up to 1100kW

## Material/surface

- Housing: Aluminum
- Impeller: Sheet aluminum
- Motor housing: Metal

## Mechanical data

- Degree of protection: IP20 with cover hood
- Installation position: With horizontal shaft or for vertical shaft with motor position above
- Bearing: Ball bearings

## Electrical data

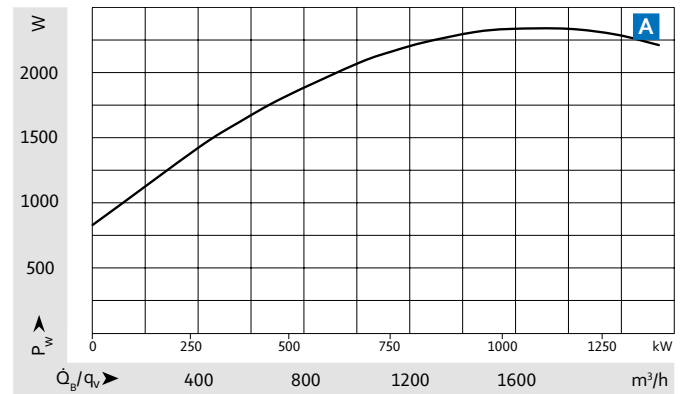
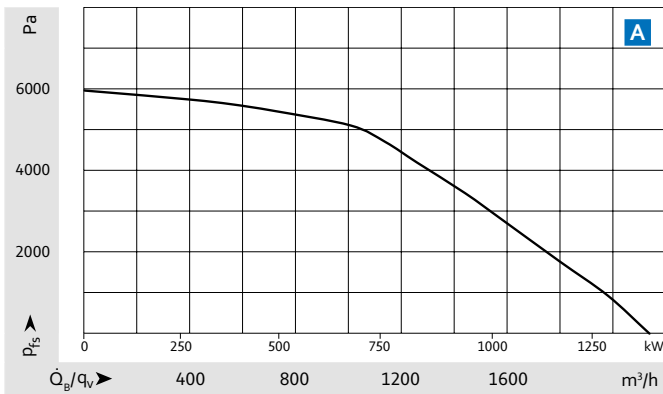
- Designed for protection class I

on page 17 Possible mounting positions

from page 48 Mains connector X, interface connector W

from page 50 Electrical interfaces

More at [www.ebmpapst.com](http://www.ebmpapst.com)



### Measuring requirements

Air performance measured in accordance with ISO 5801, installation category C.

The specifications only apply under the specified measurement conditions ( $\rho=1.14 \text{ kg/m}^3 \pm 3.5\%$ ) and may change due to the installation conditions.

Heat output  $\dot{Q}_g$  for gas type G20 with air-fuel ratio  $\lambda=1.3$ .

<sup>1</sup> Heat output range

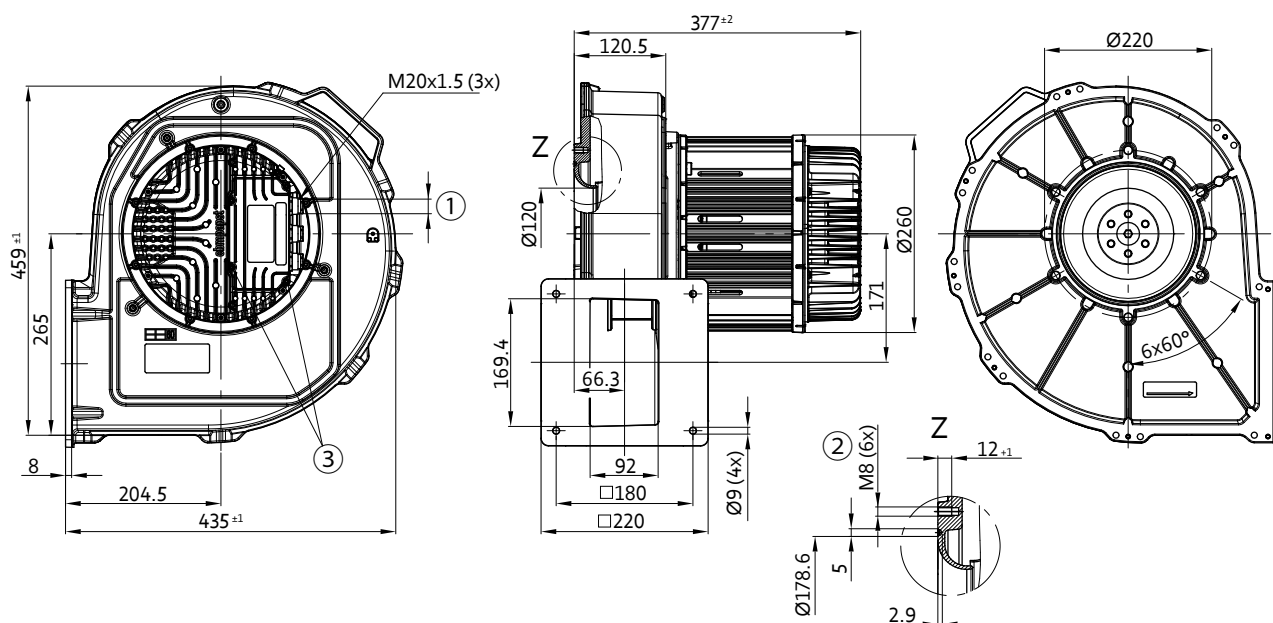
approx. data; heat output depends on gas type and the system conditions.

Curve	Type	Part number	Max. speed n	Max. input power $P_{ed}$	Perm. motor ambient temperature range	Perm. conveying medium temperature range	Weight
			rpm	W	°C	°C	kg
Nominal voltage 3-380 – 480VAC, 50/60Hz							
A	VGR0250XTRHS	5560006010	6400	2500	0 up to 50	-15 up to 50	24

Subject to change. Temperature specifications dependent on time/temperature profile. Extended temperature range on request.

**A** Technical drawing

Dimensions in mm



- ① Cable diameter min. 4 mm, max. 10 mm, tightening torque  $4 \pm 0.6$  Nm
- ② Clearance for screw 10-12 mm, tightening torque  $20 \pm 3$  Nm
- ③ Tightening torque  $3.5 \pm 0.5$  Nm

# EC radial blower

VG 315



## Heat output range<sup>1</sup>

- Up to 2000kW

## Material/surface

- Housing: Aluminum
- Impeller: Sheet aluminum
- Motor protection cap: Plastic

## Mechanical data

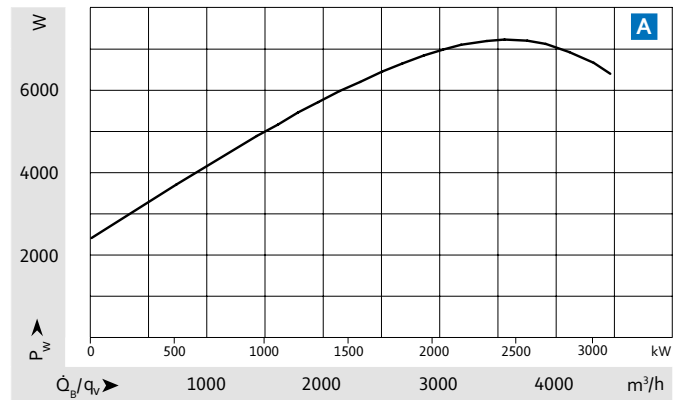
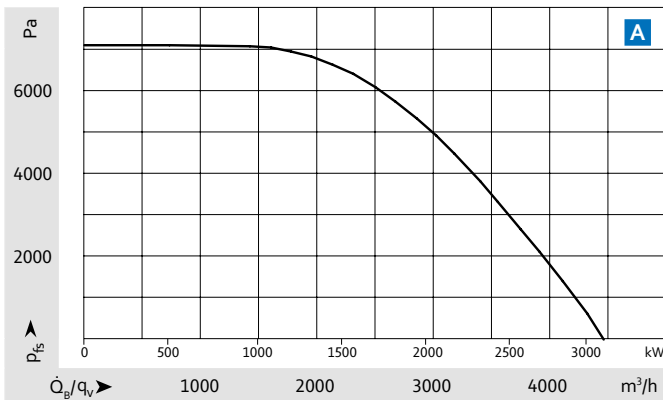
- Degree of protection: IP20 with cover hood
- Installation position: Any
- Bearing: Ball bearings

## Electrical data

- Designed for protection class I

on page 17	Possible mounting positions
from page 48	Mains connector X, interface connector W
from page 50	Electrical interfaces
More at	<a href="http://www.ebmpapst.com">www.ebmpapst.com</a>

EC radial blowers



### Measuring requirements

Air performance measured in accordance with ISO 5801, installation category C.

The specifications only apply under the specified measurement conditions ( $\rho=1.14 \text{ kg/m}^3 \pm 3.5\%$ ) and may change due to the installation conditions.

Heat output  $\dot{Q}_g$  for gas type G20 with air-fuel ratio  $\lambda=1.3$ .

<sup>1</sup> Heat output range

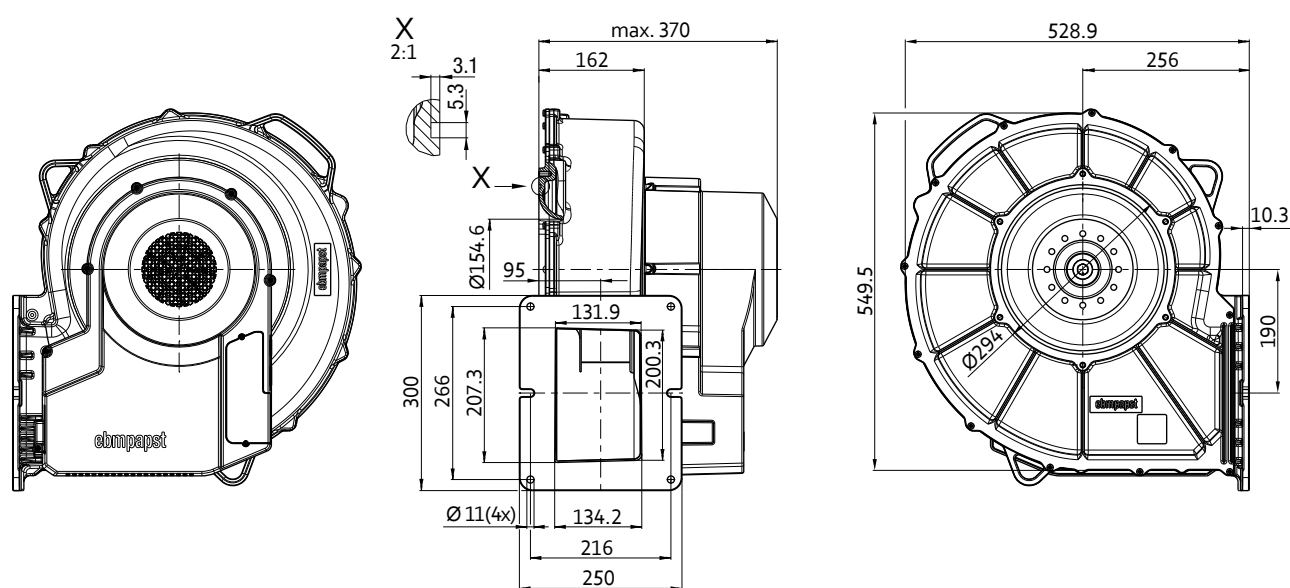
approx. data; heat output depends on gas type and the system conditions.

Curve	Type	Part number	Max. speed n	Max. input power P <sub>ed</sub>	Perm. motor ambient temperature range	Perm. conveying medium temperature range	Weight
			rpm	W	°C	°C	kg
Nominal voltage 3-380 – 480VAC, 50/60Hz							
<b>A</b>	VGR0315XTTLS	<b>5560007000*</b>	6000	8000	0 up to 60	-15 up to 60	36
Nominal voltage 3-200 – 240VAC, 50/60Hz							
	VGR0315XTTLS	<b>5560007030</b>	6000	8000	0 up to 50	-15 up to 60	36

Subject to change. Temperature specifications dependent on time/temperature profile. Extended temperature range on request. \* Also available with 0 – 10V interface.

**A** Technical drawing

Dimensions in mm



# EC radial blower

VG 450



## Heat output range<sup>1</sup>

- Up to 4000kW

## Material/surface

- Housing: Cast aluminum
- Impeller: Sheet aluminum
- Motor casing: Die-cast aluminum
- Electronics box: Die-cast aluminum

## Mechanical data

- Protection class electronics: IP54
- Protection class motor: IP20
- Installation position: Any
- Bearing: Ball bearings

## Electrical data

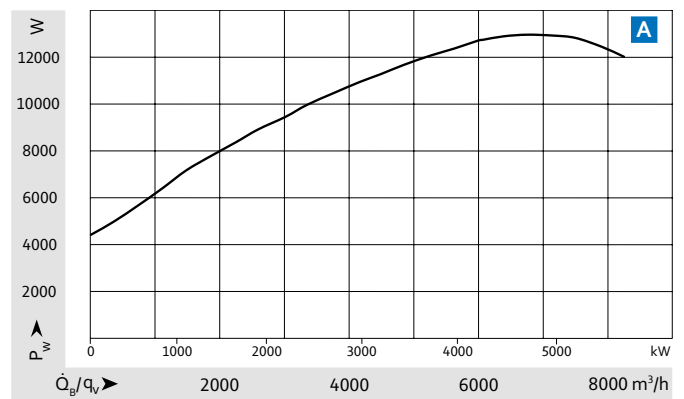
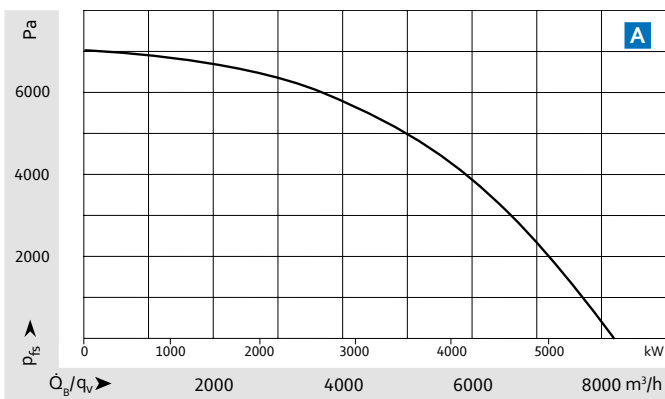
- Designed for protection class I

on page 17 Possible mounting positions

from page 48 Mains connector X, interface connector W

from page 50 Electrical interfaces

More at [www.ebmpapst.com](http://www.ebmpapst.com)



### Measuring requirements

Air performance measured in accordance with ISO 5801, installation category C.

The specifications only apply under the specified measurement conditions ( $\rho=1.14 \text{ kg/m}^3 \pm 3.5\%$ ) and may change due to the installation conditions.

Heat output  $\dot{Q}_g$  for gas type G20 with air-fuel ratio  $\lambda=1.3$ .

<sup>1</sup> Heat output range

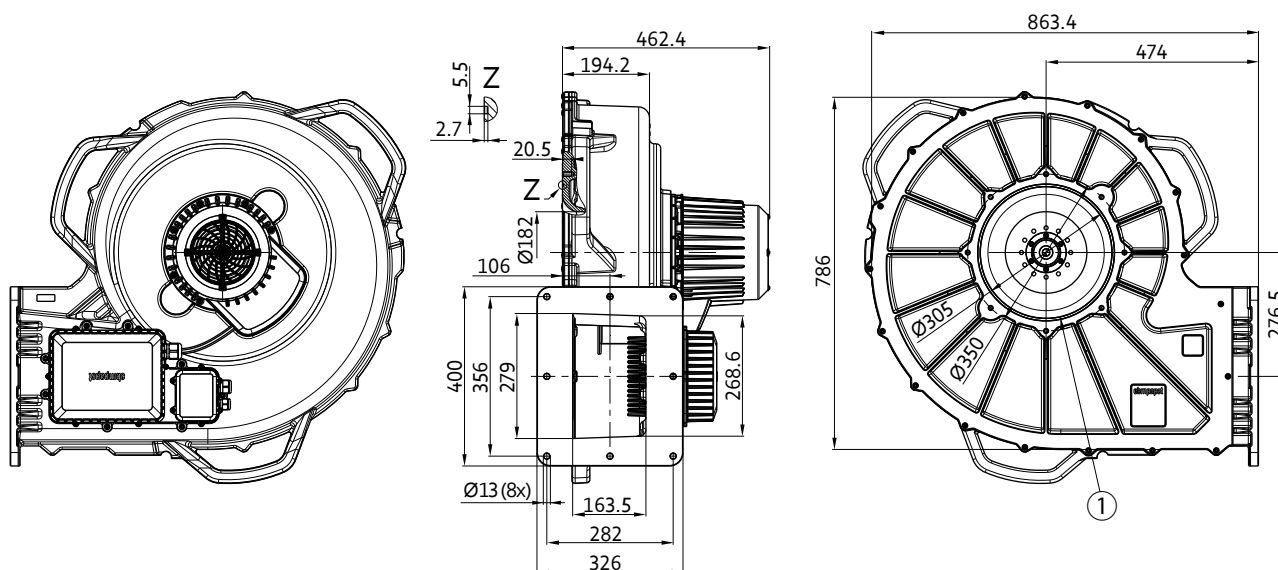
approx. data; heat output depends on gas type and the system conditions.

Curve	Type	Part number	Max. speed n	Max. input power P <sub>ed</sub>	Perm. motor ambient temperature range	Perm. conveying medium temperature range	Weight
			rpm	W	°C	°C	kg
Nominal voltage 3-380-480VAC, 50/60Hz							
A	VGR0450XTTPS	5560008010	4250	14000	0 up to 40 <sup>1)</sup>	-15 up to 50	85

<sup>1)</sup> Short-term 60°C.  
Subject to change. Temperature specifications dependent on time/temperature profile. Extended temperature range on request.

**A** Technical drawing

Dimensions in mm



① Seal groove

# Connectors

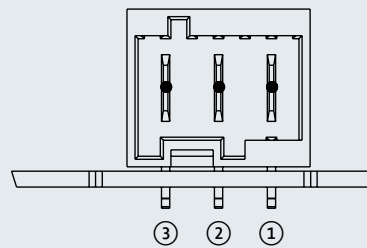
Connector	VG 71	VG 100	VG 108	NRG 118	RG 148	NRG 137	RG 175	G1G 170	G3G 200	G3G 250	VG 250	VG 315	VG 450
1 Mains connector X	x	x	x	x	x	x	x						
2 Mains connector X				x	x	x	x	x	x	x	see operating instructions	see operating instructions	see operating instructions
3 Interface connector W	x	x	x										
4 Interface connector W				x	x	x	x	x					
5 Interface connector W									x	x			
6 Interface connector W													
Interface 04600451...	03	03	03	04	04	04	04	38	39	39	64	61	63

Connectors refer to 230 V versions. Other plug and interface versions on request.

## 1 Mains connector X

3-pin pin-connector with coding type 0A according to RAST 5 in 90° angled / horizontal design with locking feature on top or down for locking device suitable for mating connector according to RAST 5 with coding type 0A as e. g. CoHaMoYY-A5002-H03-K01 or Lumberg 3623 03 K01

**Part number for mating connector:**  
2431045025



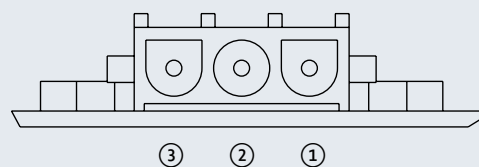
- ③ Power supply AC
- ② Protective earth
- ① Power supply AC

## 2 Mains connector X

3-pin pin-connector according RAST 6.35 in 90° angled / horizontal design suitable for mating connector according to RAST 6.35 e. g. Tyco Universal MATE-N-LOK

**Order number:** 1586847-1 and 3 x socket 926882-1

**Part number for mating connector:**  
Connector shell 2430945012; Crimp socket 2430745002/3



- ③ Protective earth
- ② Power supply AC
- ① Power supply AC



### 3 Interface connector W

4-pin pin-connector according RAST 4.2  
in 90° angled / horizontal design  
suitable for mating connector  
e. g. Stocko STO-FIT, CoHaMo

**Order number Stocko:**

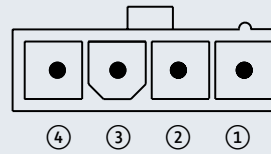
EH 705-004-004-960 and 3 x socket RBB 8230.120

**Order number CoHaMo:**

YY-5700-H04AS-GT and 3x socket YY-5700-TTAMA

**Part number for mating connector:**

Plug shell 2431045201; Crimp socket 2430045116



- ④ PWM Input
- ③ Power supply - (GND)
- ② Hall Sensor OUT
- ① NC

### 4 Interface connector W

5-pin pin-connector according RAST 4.2  
in 90° angled / horizontal design  
suitable for mating connector  
e. g. Stocko STO-FIT, CoHaMo

**Order number Stocko:**

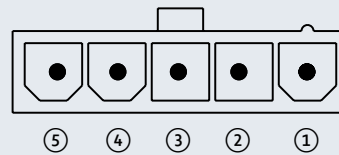
EH 705-005-004-960 and 5x socket RBB 8230.120

**Order number CoHaMo:**

YY-5700-H05AS-GT and 5x socket YY-5700-TTAMA

**Part number for mating connector:**

Connector shell 2431045200; Crimp socket 2430045116



- ⑤ Power supply - (GND)
- ④ PWM Input
- ③ NC
- ② Hall Sensor OUT
- ① Power supply +

### 5 Interface connector W

5-pin pin-connector according RAST 4.2  
in 90° angled / horizontal design  
suitable for mating connector  
e. g. Stocko STO-FIT, CoHaMo

**Order number Stocko:**

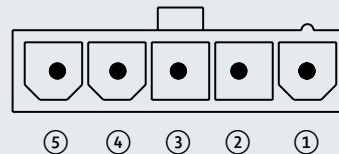
EH 705-005-004-960 and 5x socket RBB 8230.120

**Order number CoHaMo:**

YY-5700-H05AS-GT and 5x socket YY-5700-TTAMA

**Part number for mating connector:**

Connector shell 2431045200; Crimp socket 2430045116



- ⑤ Power supply - (GND)
- ④ PWM Input
- ③ Input 0-10V DC Control
- ② Hall Sensor OUT
- ① Power supply +

### 6 Interface connector W

5-pin pin-connector according RAST 4.2  
in 90° angled / horizontal design  
suitable for mating connector  
e. g. Stocko STO-FIT, CoHaMo

**Order number Stocko:**

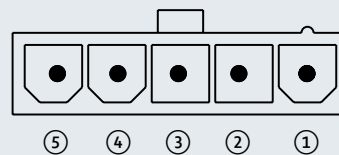
EH 705-005-004-960 and 5x socket RBB 8230.120

**Order number CoHaMo:**

Y-5700-H05AS-GT and 5x socket YY-5700-TTAMA

**Part number for mating connector:**

Connector shell 2431045200; Crimp socket 2430045116

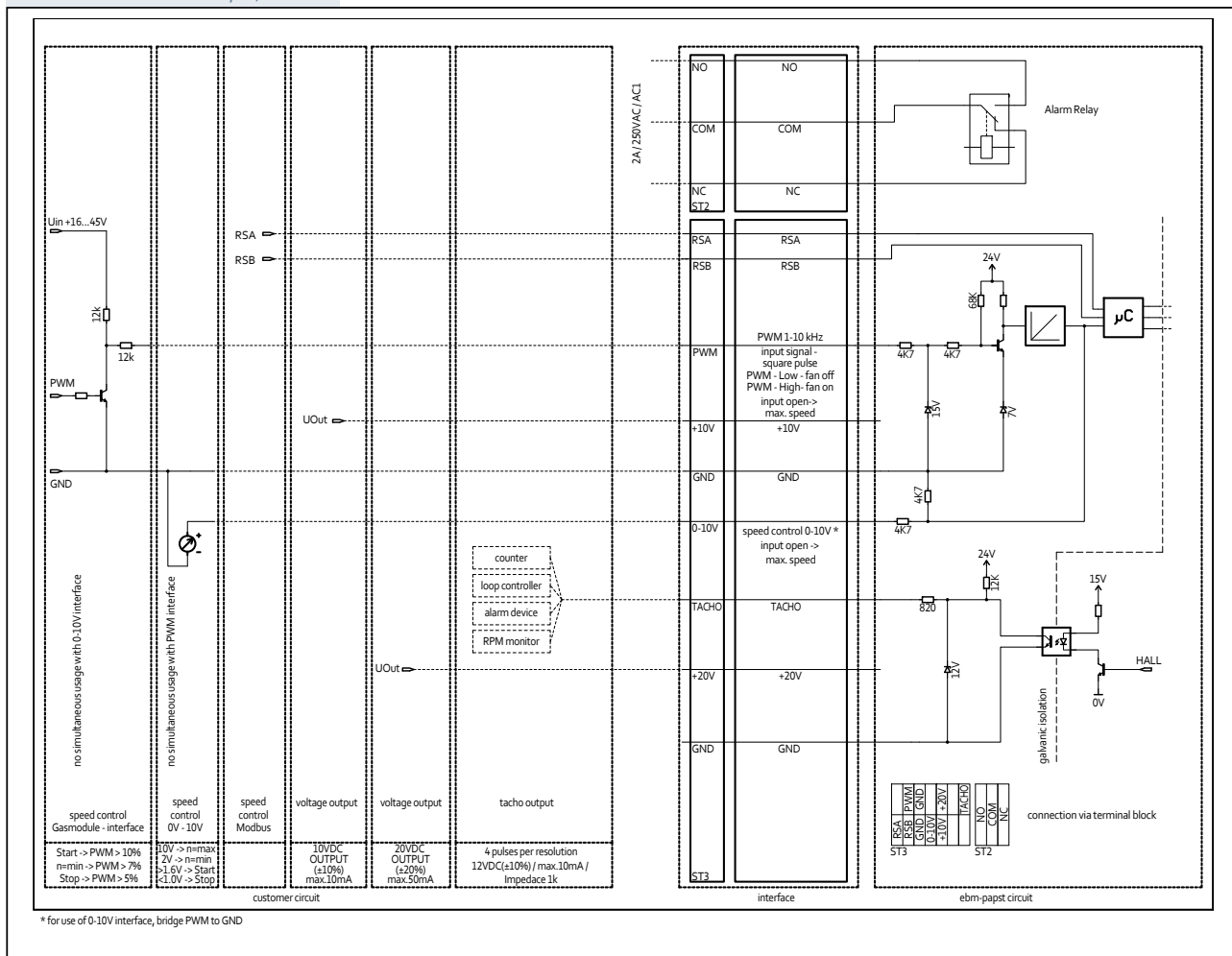


- ⑤ Power supply - (GND)
- ④ PWM Input
- ③ Input 0-10V DC Control
- ② Hall Sensor OUT
- ① Voltage Output

# Electrical interfaces

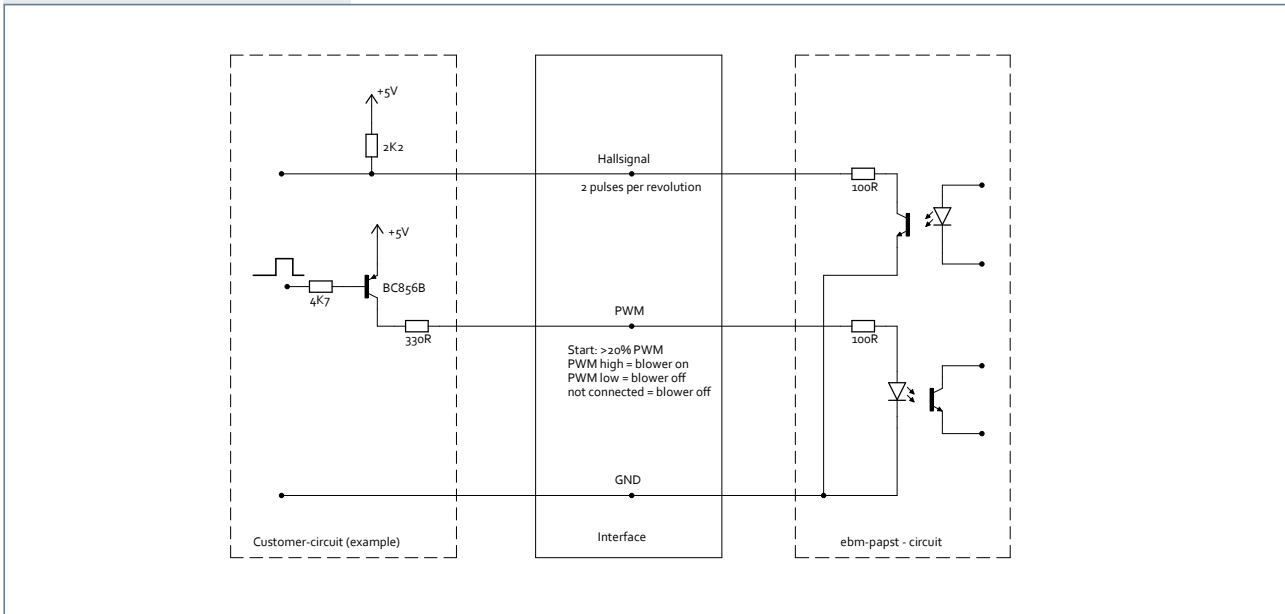
	VG 71	VG 100	VG 108	NRG 118	RG 148	NRG 137	RG 175	G1G 170	G3G 200	G3G 250	VG 250	VG 315	VG 450
Interface 04600451...	03	03	03	04	04	04	04	38	39	39	64	61	63

Interface 64 3-380-480VAC, 50/60Hz

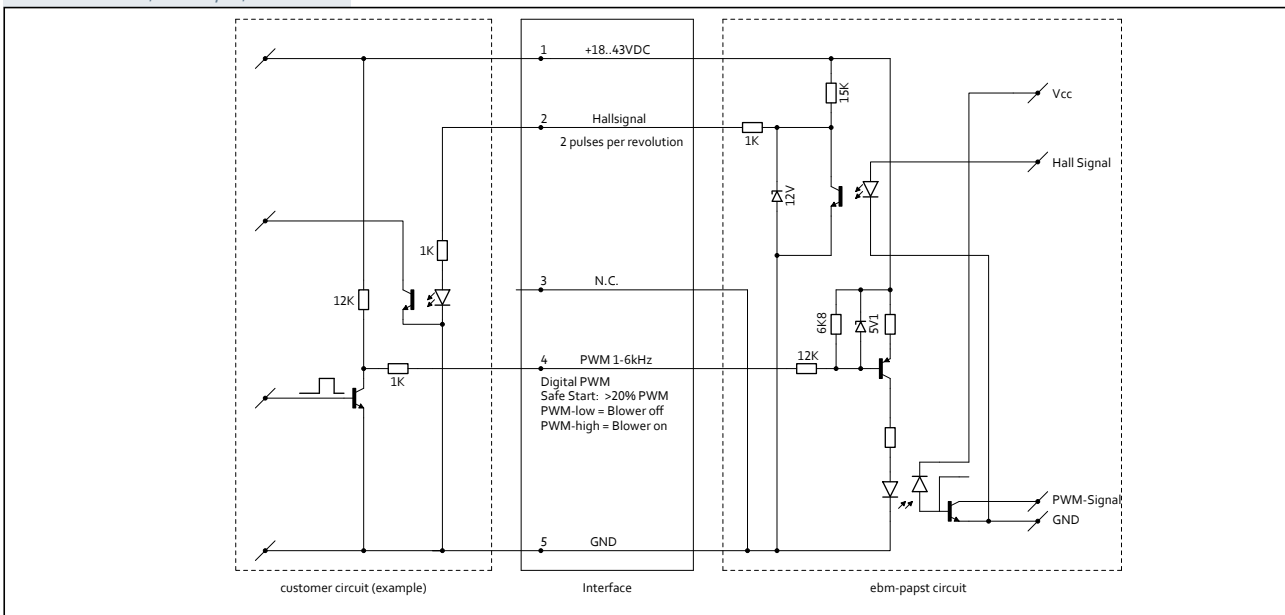


Further types available on request.

Interface 03 120/230VAC, 50/60Hz



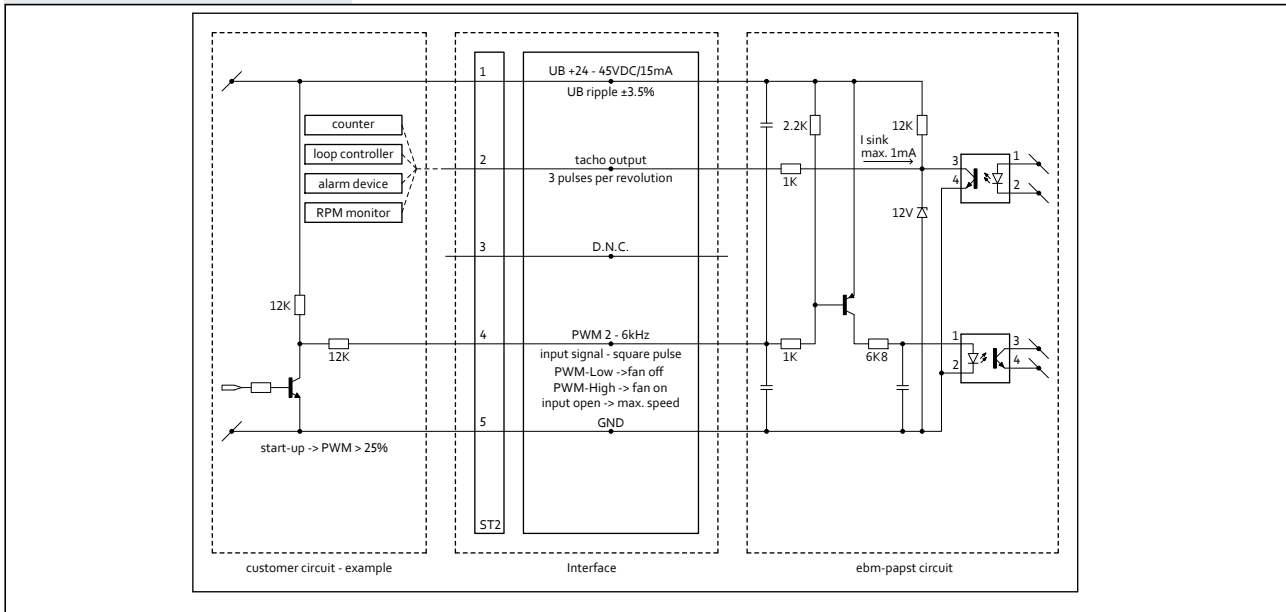
Interface 04 120/230VAC, 50/60Hz



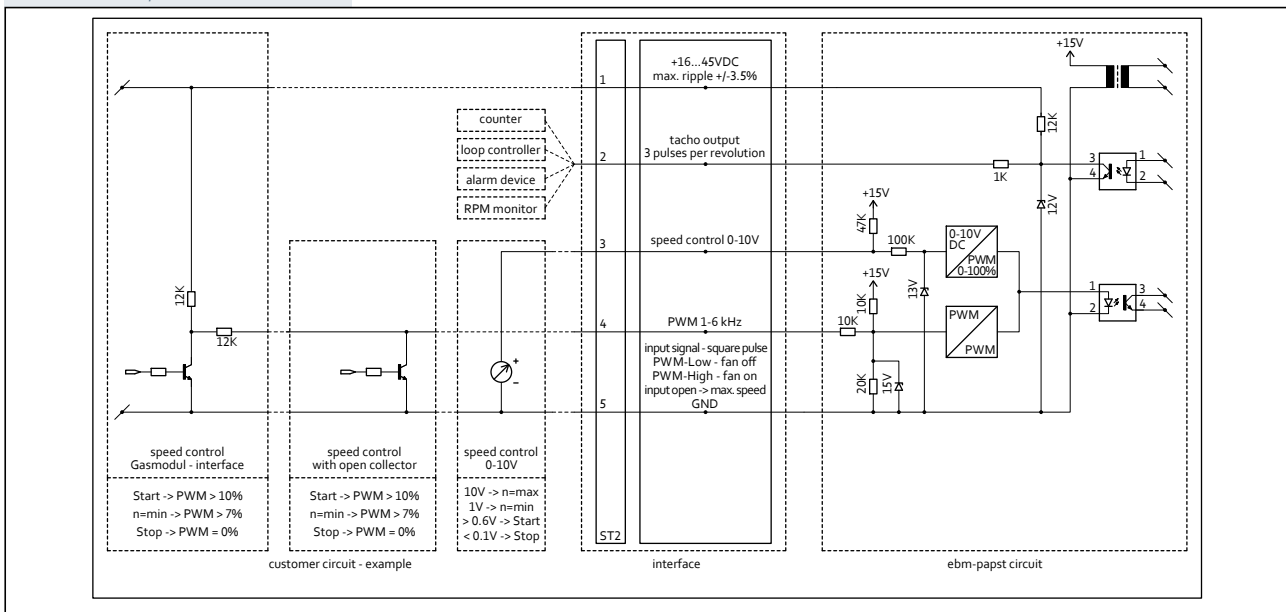
Further types available on request.

# Electrical interfaces

Interface 38 115/230VAC

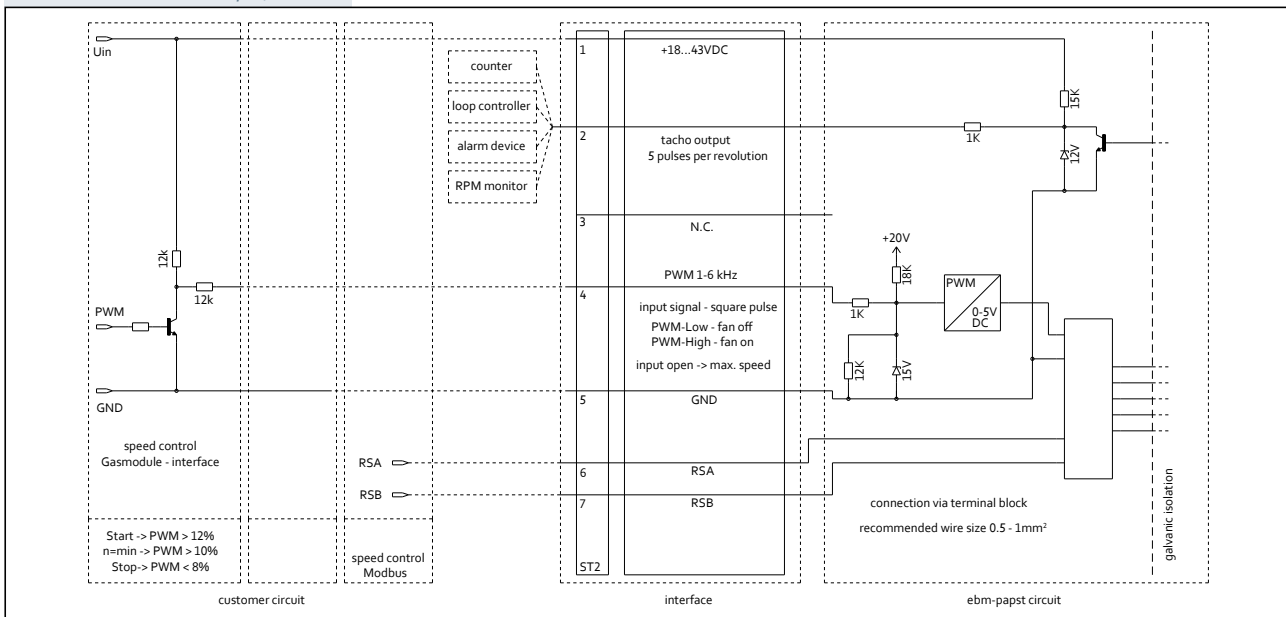


Interface 39 115/230VAC

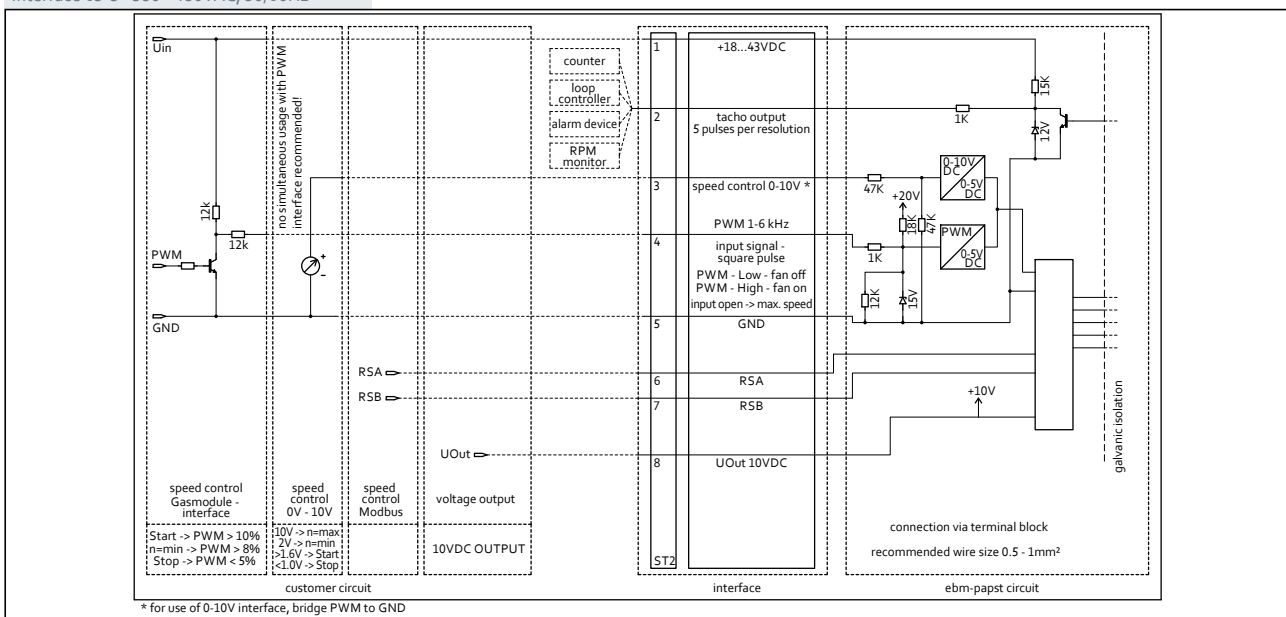


Further types available on request.

Interface 61 3~ 380-480VAC, 50/60Hz



Interface 63 3~ 380-480VAC, 50/60Hz



\* for use of 0-10V interface, bridge PWM to GND

Further types available on request.

# Gas valves

## *Pneumatic and electronic gas-air control system*

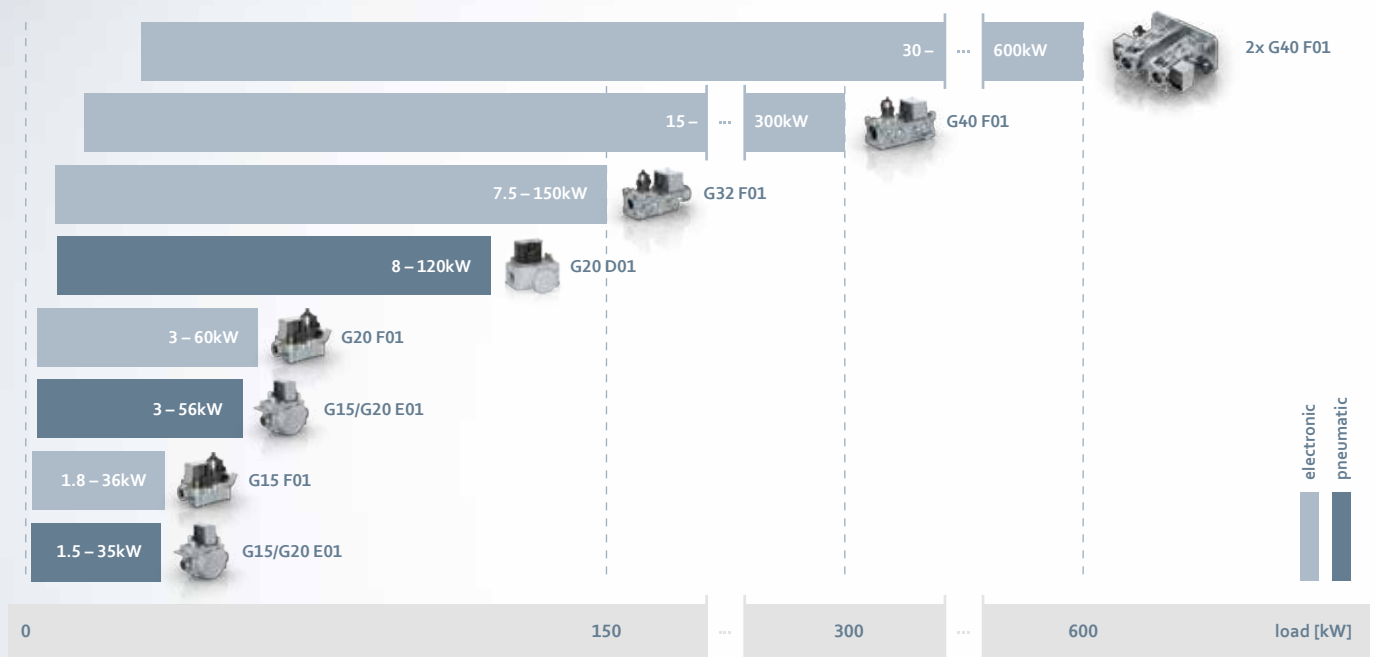
Our gas valves are mainly used in condensing unit applications for domestic heating technology in the low-to-medium output range. They ensure precise gas-air ratio adjustment.

The G20 D01 and G15/G20 E01 gas valves are suitable for condensing units with pneumatic gas-air control systems.

Regardless of the suction pressure generated by the premix blower, these gas valves always keep the offset pressure at zero and compensate for pressure fluctuations in the supply network as well.

The offset (zero point shift) can be configured at the servo controller. At the same time, the desired gas quantity is adjusted using an integrated flow control element. Depending on the design, reference pressure can be connected to the servo controller if required.

The G15/G20 F01, G32 F01 and G40 F01 gas valves are suitable for condensing units with electronic gas-air control systems. Regardless of gas quality and any pressure fluctuations in the supply network, these gas valves regulate the constant gas-air ratio without relying on mechanical gas valve settings.



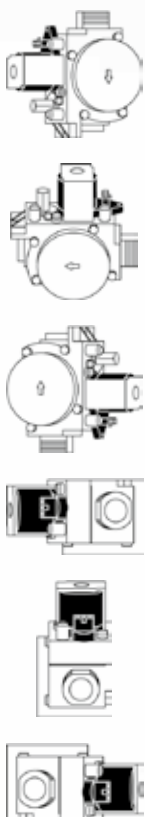
### Additional notes

- Work on the gas valve is to be performed by authorised specialists only.
- Please ensure observation of the corresponding installation instructions.
- Corresponding documents with safety instructions are available upon request or on the Internet.



### + Mounting position

Solenoid at any position between vertical & horizontal – but not upside down



### + Type examination certificate for North America (USA and Canada): Master Contract No. 172723

Applicable standards  
ANSI Z21.78 · CSA 6.20-2010  
(Reaffirmed 2014):  
Combination Gas Controls for gas appliances  
  
Approvals exist for the chief gas consuming countries.

### + Type examination certificate Product ID number: CE0085CM0036

Applicable directives and standards:  
EU/2016/426 Gas Appliances Regulation  
  
– EN 126:2012 06: Multifunctional controls for gas burning appliances  
  
– EN 13611:2016: Safety and control devices for gas burners and gas burning appliances – General requirements  
  
– EN 161:2013: Automatic shut-off valves for gas burners and gas appliances  
  
– EN 88-1:2016: Pressure regulators and associated safety devices for gas appliances – Part 1: Pressure regulators for inlet pressures up to and including 50kPa



# Gas valves pneumatic gas-air control system

G15/G20 E01



More at

[www.ebmpapst.com](http://www.ebmpapst.com)

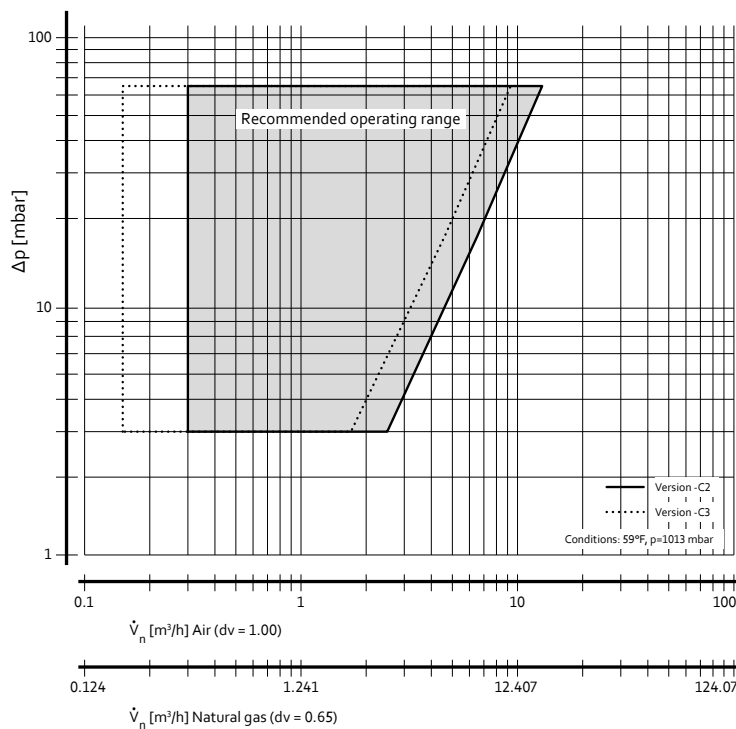
## Material/surface

- Housing: Aluminum

## Mechanical data

- Degree of protection: IP40 in combination with a suitable plug
- Permitted gas families: II + III (in accordance with EN 437)
- Maximum inlet pressure: 65mbar (CE), 0.5psi (CSA)
- Permitted ambient temperature: -15°C to 70°C; extended temperature range on request, dependent on time/temperature profile
- Permitted storage temperature: -25°C to 70°C
- Offset correction: +/- 20Pa
- Input (gas connection): External thread G3/4 or G1/2 (EN ISO 228) or 4 x M4-mounting holes (optional)
- Output: ebm-papst proprietary quick release
- Safety valve: Coaxial design: Valve class B/C as per EN 161

## Capacity curve – GXXE01-BCXCS-CX



## Electrical data

- Designed for protection class I
- Electrical connection: Connector shell with 4.20mm grid

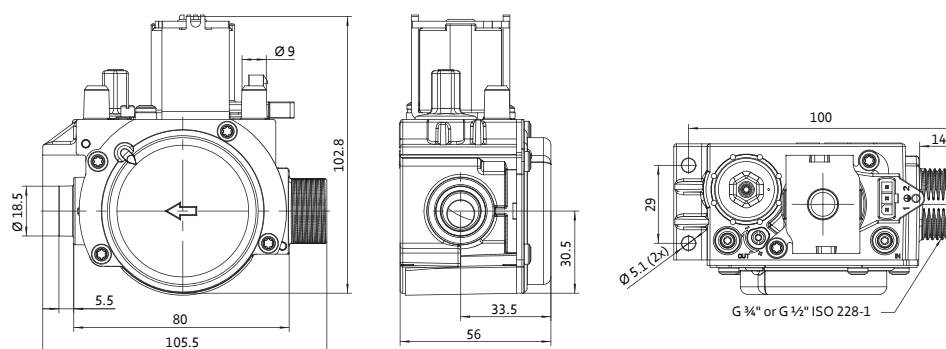


Type	Rated voltage	Max. input power	Nominal diameter	Maximum inlet pressure	Flow rate (at $\Delta p = 5\text{mbar}$ )	Automatic shutoff valves (EN 161)	Minimum signal pressure	Opening and closing time	Weight
	V	VA		mbar	m <sup>3</sup> /h		Pa	s	kg
<b>Nominal data</b>									
GXXE01-BCXCS-CX	230RAC	9.8	DN15/20	65	3.4	Class B/C	-40	< 1	0.57
	120RAC	9.8	DN15/20	65	3.4	Class B/C	-40	< 1	0.57
	24RAC	9.8	DN15/20	65	3.4	Class B/C	-40	< 1	0.57
	24DC	9.8	DN15/20	65	3.4	Class B/C	-40	< 1	0.57
	22DC	11.9	DN15/20	65	3.4	Class B/C	-40	< 1	0.57

Subject to change.

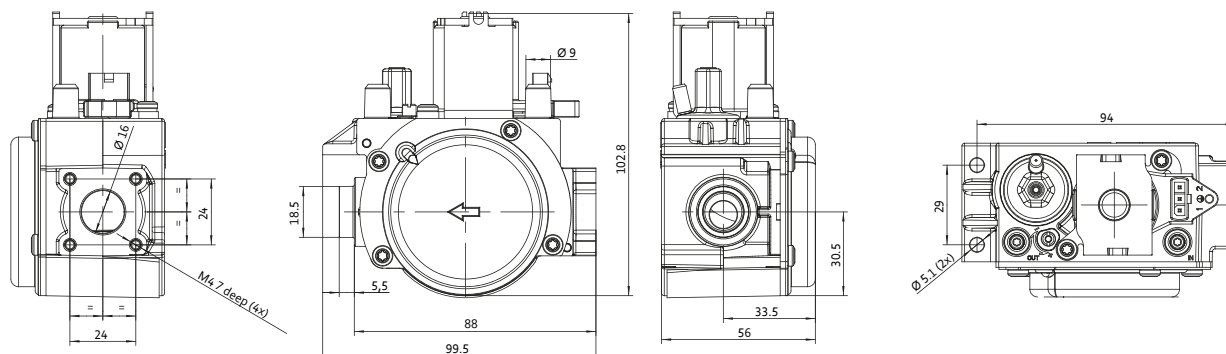
Version with G 3/4 connection (optionally also G 1/2)

Dimensions in mm



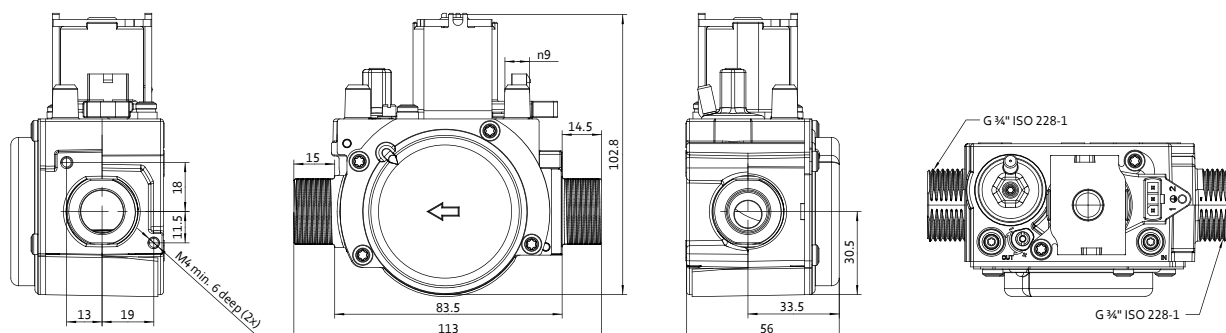
Version with 4 x M4 connection (suitable for NPT 1/2 flange)

Dimensions in mm



Version with 2 x G 3/4 connection

Dimensions in mm



# Gas valves pneumatic gas-air control system

G20 D01



## Material/surface

- Housing: Aluminum

## Mechanical data

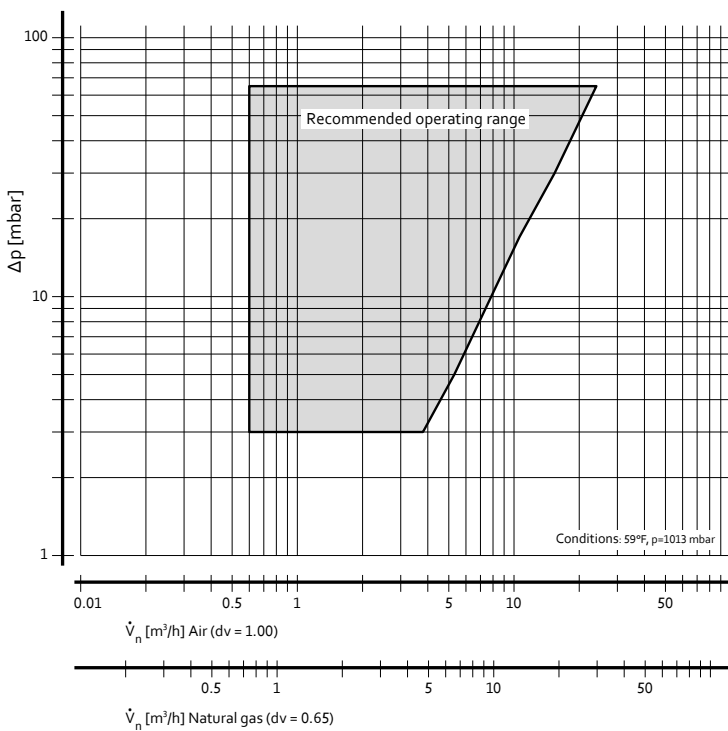
- Degree of protection: IP40 in combination with a suitable plug
- Permitted gas families: II + III (in accordance with EN 437)
- Maximum inlet pressure: 65mbar (CE), 0.5psi (CSA)
- Permitted ambient temperature: -15°C to 60°C; extended temperature range on request, dependent on time/temperature profile
- Permitted storage temperature: -25°C to 70°C
- Offset correction: +/- 20Pa
- Input (gas connection): 4 x M5-mounting holes (hole spacing 36mm)
- Output: 4 x M5-mounting holes (hole spacing 36mm)
- Safety valve: Valve class B/B as per EN 161

## Electrical data

- Designed for protection class I
- Electrical connection: Connector shell with 5.08mm grid

More at [www.ebmpapst.com](http://www.ebmpapst.com)

## Capacity curve – G20D01-BBXCS-CX

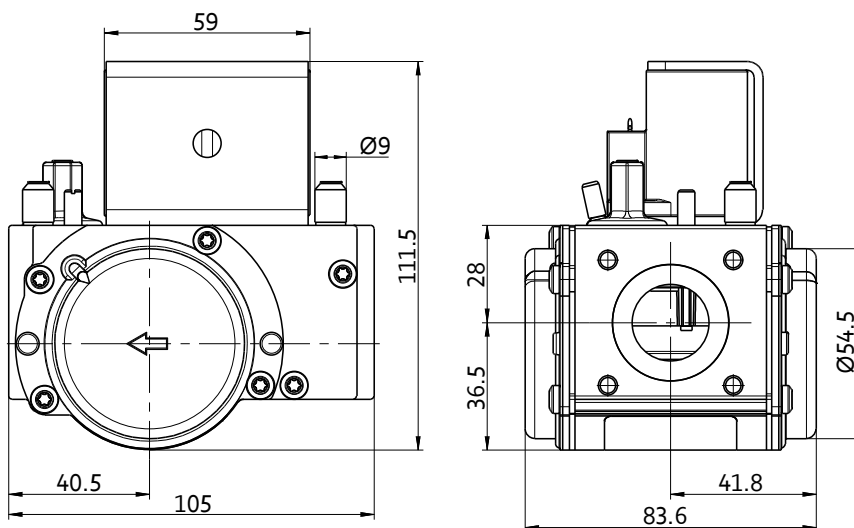


Type	Rated voltage	Max. input power	Nominal diameter	Maximum inlet pressure	Flow rate (at $\Delta p = 5\text{mbar}$ )	Automatic shutoff valves (EN 161)	Minimum signal pressure	Opening and closing time	Weight
	V	VA		mbar	m <sup>3</sup> /h		Pa	s	kg
<b>Nominal data</b>									
<b>G20D01-BBXCS-CX</b>	230RAC	2 x 12.5	DN20	65	5.3	Class B/B	-40	< 1	1.3
	120RAC	2 x 12.5	DN20	65	5.3	Class B/B	-40	< 1	1.3
	24RAC	2 x 12.5	DN20	65	5.3	Class B/B	-40	< 1	1.3
	24DC	2 x 12.5	DN20	65	5.3	Class B/B	-40	< 1	1.3

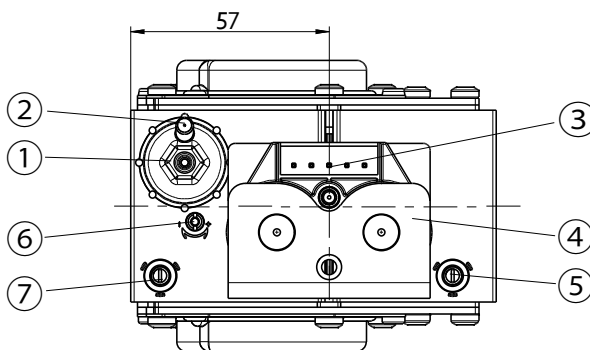
Subject to change.

Technical drawing

Dimensions in mm



- ① Pressure regulator offset adjustment
- ② Servo regulator
- ③ Electrical connection
- ④ Solenoid coil
- ⑤ Pressure test nipple P<sub>1</sub>
- ⑥ Main flow throttle
- ⑦ Pressure test nipple P<sub>2</sub>



# Gas valves electronic gas-air control system

G15/G20 F01



## Material/surface

- Housing: Aluminum

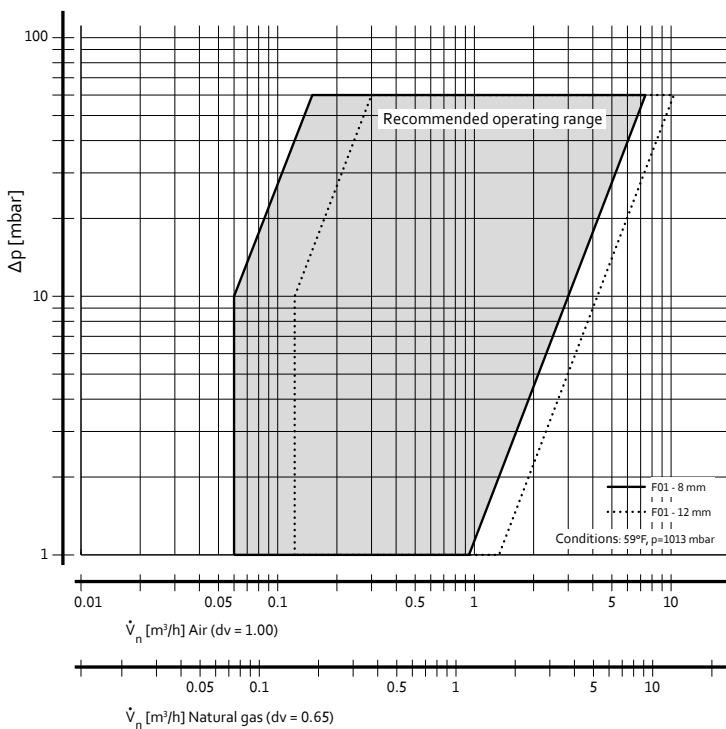
## Mechanical data

- Degree of protection: IP40 in combination with a suitable connector
- Permitted gas families: II + III (in accordance with EN 437)
- Maximum inlet pressure: 60mbar (CE), 0.5psi (CSA)
- Permitted ambient temperature: -15°C to 70°C; extended temperature range on request, dependent on time/temperature profile
- Permitted storage temperature: -25°C to 70°C
- Input (gas connection): External thread G 1/2" (DN 15) or G 3/4" (DN 20) (EN ISO 228)
- Output: ebm-papst proprietary quick release
- Safety valves: Coaxial design: Valve class B/C as per EN 161

More at

[www.ebmpapst.com](http://www.ebmpapst.com)

## Capacity curve – GXXF01-BCXCS-CX



## Electrical data

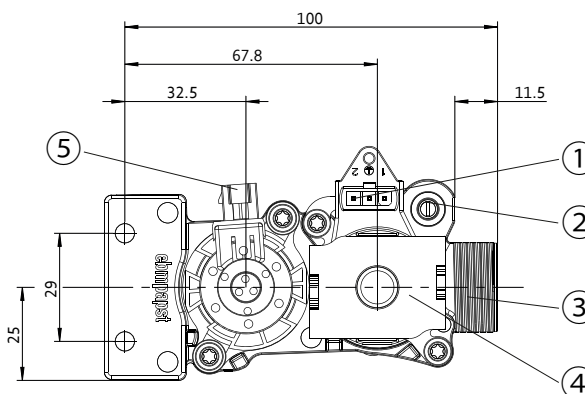
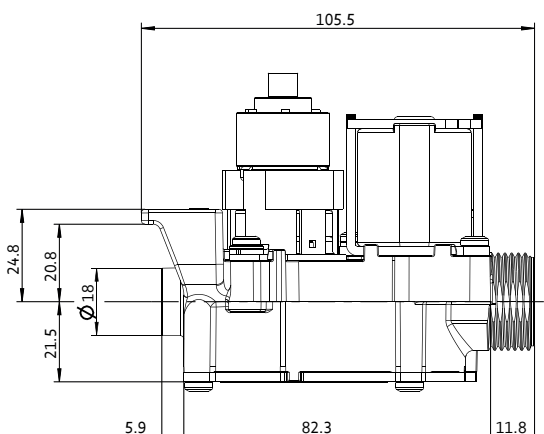
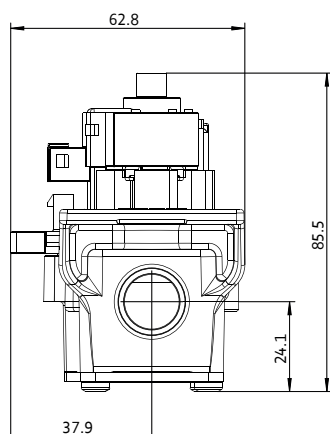
- Designed for protection class I
- Electrical connection: Connector shell with 4.20mm grid

Type	Rated voltage V	Max. input power VA	Nominal diameter DN15/20	Maximum inlet pressure mbar	Flow rate (at $\Delta p = 5\text{mbar}$ ) Stepper motor module with nominal diameter 8mm m <sup>3</sup> /h	Flow rate (at $\Delta p = 5\text{mbar}$ ) Stepper motor module with nominal diameter 12mm m <sup>3</sup> /h	Automatic shutoff valves (EN 161)	Opening and closing time s	Weight kg
Nominal data									
GXXF01-BCXCS-CX	230RAC	9.8	DN15/20	60	2.1	2.9	Class B/C	< 1	0.47
	120RAC	9.8	DN15/20	60	2.1	2.9	Class B/C	< 1	0.47
	24RAC	9.8	DN15/20	60	2.1	2.9	Class B/C	< 1	0.47
	24DC	9.8	DN15/20	60	2.1	2.9	Class B/C	< 1	0.47
	22DC	11.9	DN15/20	60	2.1	2.9	Class B/C	< 1	0.47

Subject to change.

Technical drawing

Dimensions in mm



- ① Electrical connection safety valve
- ② Pressure test nipple
- ③ G 3/4" or G1/2" ISO 228-1
- ④ Solenoid coil
- ⑤ Electrical connection stepper motor

# Gas valves electronic gas-air control system

G32 F01



More at

[www.ebmpapst.com](http://www.ebmpapst.com)

## Material/surface

- Housing: Aluminum

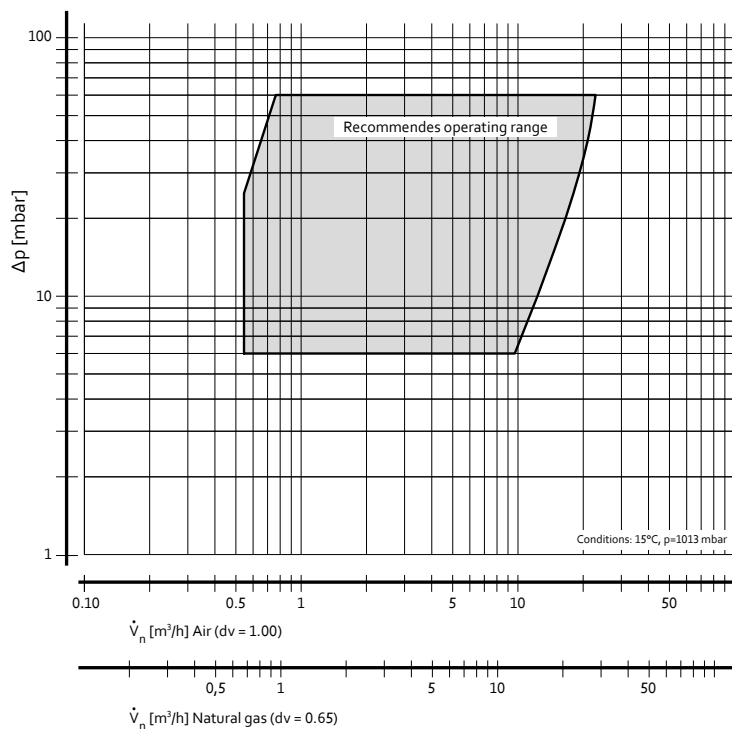
## Mechanical data

- Degree of protection: IP40 in combination with a suitable connector
- Permitted gas families: I + II + III (in accordance with EN 437)
- Maximum inlet pressure: 60mbar (CE), 0.5psi (CSA)
- Permitted ambient temperature: -15°C to 60°C; extended temperature range on request, dependent on time/temperature profile
- Permitted storage temperature: -25°C to 70°C
- Input (gas connection): external thread G 1 1/4 (EN ISO 228)
- Output: Flange connection 4 x mounting holes for self-tapping screw (nominal diameter 5mm); hole spacing  $\square$ 52.33mm
- Safety valves: Coaxial design: Valve class B/C in accordance with EN 161
- Interface to mechanical pressure monitor port: Inlet pressure; central chamber pressure
- Pressure test nipple: Inlet and outlet pressure

## Electrical data

- Designed for protection class I
- Electrical connection: Safety module: suitable for connector housing with pitch 4.20mm (e.g., Stocko STO-FIT System, EH 705-103; Würth series WR-MPC4, item no. 649 003 013 322)
- Stepper motor module: Connector housing Stocko-Grid MH790-06-001

Capacity curve – G32F01-CBXCS-CX

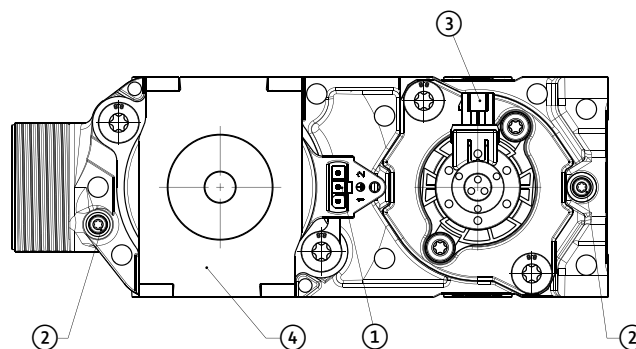
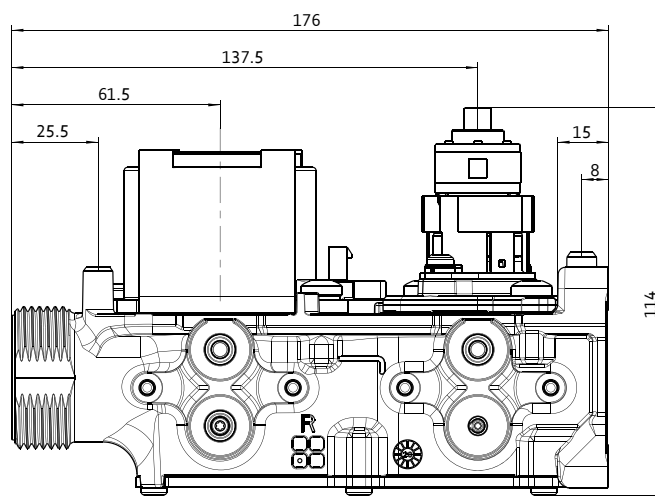
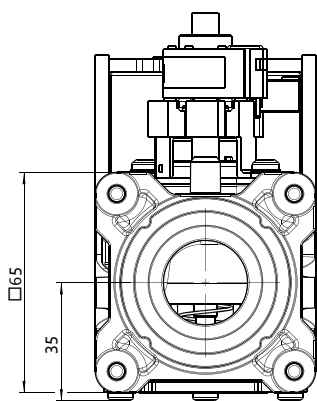


Type	Rated voltage V	Max. input power VA	Nominal diameter	Maximum inlet pressure mbar	Flow rate (at $\Delta p = 5\text{mbar}$ ) m <sup>3</sup> /h	Automatic shutoff valves (EN 161)	Opening and closing time s	Weight kg
<b>Nominal data</b>								
<b>G32F01-CBXCS-CX</b>	230RAC	17	DN32	60	9.3	Class C/B	< 1	1.55
	120RAC	17	DN32	60	9.3	Class C/B	< 1	1.55
	24DC	17	DN32	60	9.3	Class C/B	< 1	1.55

Subject to change.

Technical drawing

Dimensions in mm



- ① Electrical connection safety valve
- ② Pressure test nipple
- ③ Electrical connection control valve
- ④ Solenoid coil

# Gas valves electronic gas-air control system

G40 F01



## Material/surface

- Housing: Aluminum

## Mechanical data

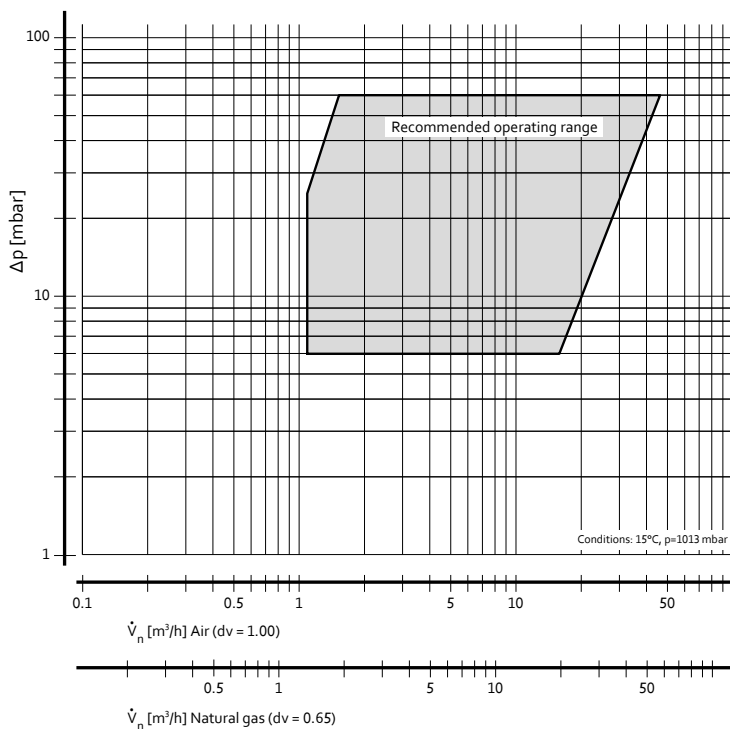
- Degree of protection: IP40 in combination with a suitable connector
- Permitted gas families: I + II + III (in accordance with EN 437)
- Maximum inlet pressure: 60mbar (CE), 0.5psi (CSA)
- Permitted ambient temperature: -15°C to 60°C; extended temperature range on request, dependent on time/temperature profile
- Permitted storage temperature: -25°C to 70°C
- Input (gas connection): Flange connection 4 x mounting holes for self-tapping screw (nominal diameter 6mm); hole spacing  $\square 52.33\text{mm}$ ; bolt circle diameter 74mm; Input flange G 1 1/2" optional
- Output: Flange connection 4 x mounting holes for self-tapping screw (nominal diameter 6mm); hole spacing  $\square 52.33\text{mm}$ ; bolt circle diameter 74mm
- Safety valve: Coaxial design: External thread B/B as per EN 161
- Interface to mechanical pressure monitor port: Inlet pressure; central chamber pressure for VPS (optional)
- Pressure test nipple: Inlet and outlet pressure

## Electrical data

- Designed for protection class I
- Electrical connection: Suitable for connector housing with pitch 4.20mm (e.g., Stocko STO-FIT System, EH 705-103; Würth WR-MPC4 series, item no. 649 003 013 322)
- Stepper motor module: Connector housing Stocko-Grid MH790-06-001

More at [www.ebmpapst.com](http://www.ebmpapst.com)

## Capacity curve – G40F01-BBXCS-CX



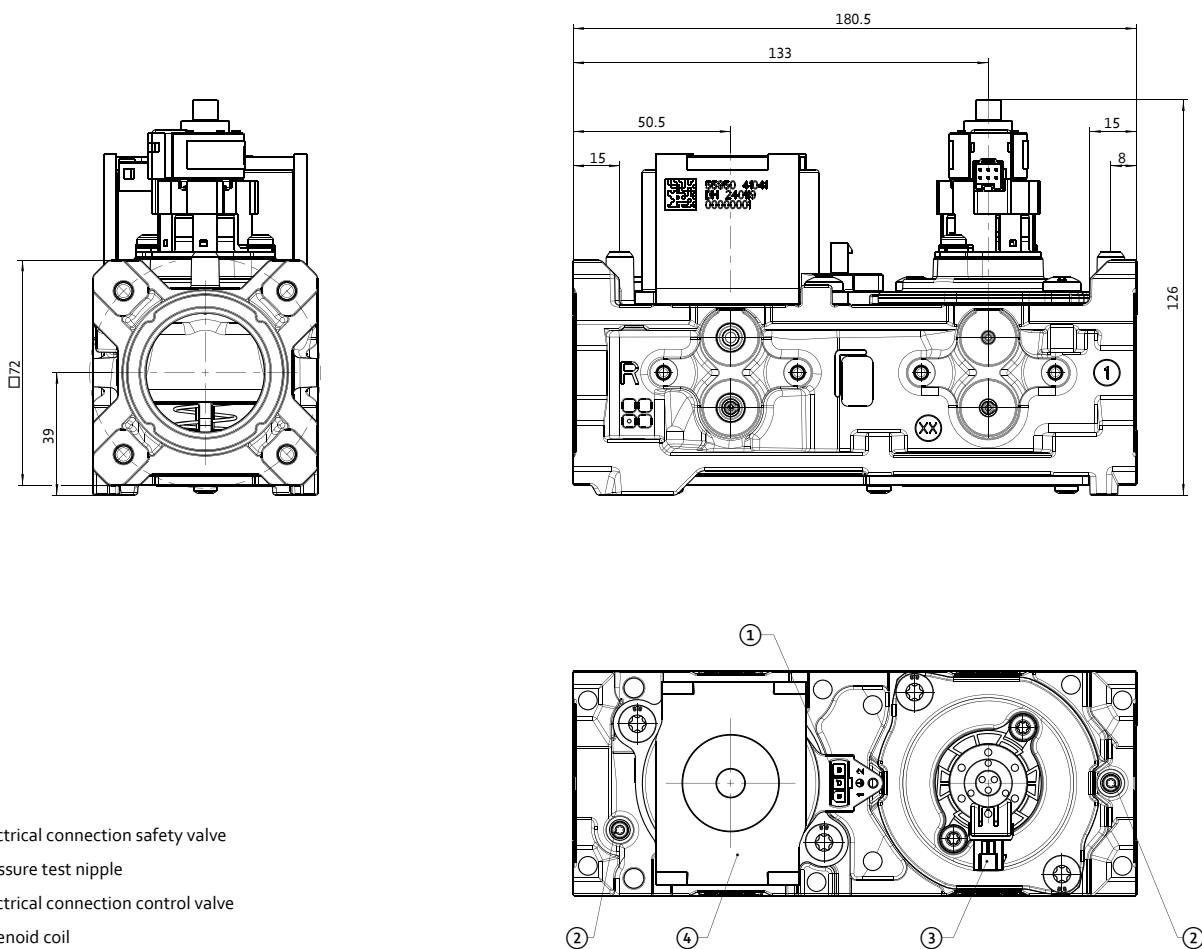


Type	Rated voltage	Max. input power	Nominal diameter	Maximum inlet pressure	Flow rate (at Δp = 5mbar)	Automatic shutoff valves (EN 161)	Opening and closing time	Weight
	V	VA		mbar	m³/h		s	kg
<b>Nominal data</b>								
<b>G40F01-BBXCS-CX</b>	230RAC	21.5	DN40	60	14	Class B/B	< 1	1.97
	120RAC	22	DN40	60	14	Class B/B	< 1	1.97
	24DC	22	DN40	60	14	Class B/B	< 1	1.97

Subject to change.

Technical drawing

Dimensions in mm



Gas valves

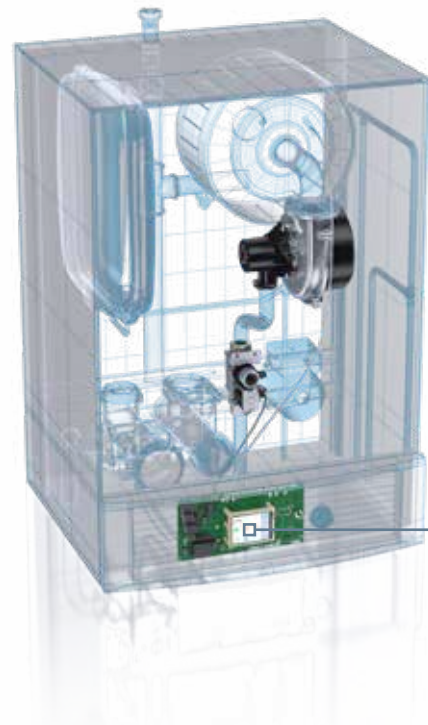
# Boiler Control Units

## *Intelligent and customizable*

We supply the right electronics for controlling ignition, performance regulation and monitoring the function of the condensing boiler as well as user interfaces needed for conveniently controlling central heating and hot water. Our product range, consisting of tried-and-tested hardware and software, enables reliable operating performance and short development cycles. The versatile software architecture allows easy interface integration. In addition, as with our blowers, we value having the lowest possible energy consumption.

The BCU 100 boiler controls are specially designed for use in wall-hang boiler: compact design and high integration of all electrotechnical functions of a modern wall-mounted condensing boiler.

The BCU 900 boiler controls are used in particular for commercial building technology: high functional scope with flexible setting options for the configuration of many heating systems.



### Compact construction

- + Comprehensive electronic functions of a gas-condensing boiler
- + Solid-state design for high reliability, long service life and low space requirement
- + Integrated user interface
- + Space-saving and robust electrical connection with plated contacts

### Optimally networked



- + Standard interfaces for room devices
- + RS 485 interface for user-defined control elements e.g. building management systems
- + Prepared for Plug-in modules to realize various communication options
- + Predictive maintenance via advance warning messages
- + Remote access for improved diagnostics



# Boiler Control Units – Residential technology

BCU 100



## Technical Data

- Wide range power supply 170–264VAC with voltage supervision
- PWM or LIN interface for blower and pump control
- Diverter valve stepper motor interface 24VDC
- DHW turbine 5VDC with supply
- Water pressure switch 5VDC
- Control of pneumatic or electronic gas valve 24VDC
- Ext. spark generator 230VAC
- Flow, return, flue, DHW and outside temperature sensor inputs
- Analog ionization input, all nets, reversed polarity

## Mechanical data

- Rast-2.5 and rast-2.5-power direct connection
- PCB dimensions (LxWxH): 200x100x26mm

## Benefits of the Boiler Control Unit

- ✓ Pneumatic (CleanEco) or electronic (CleanVario) gas-air ratio control
- ✓ Starts and monitors the boiler
- ✓ Fan control
- ✓ Boiler temperature control and safety temperature limiter
- ✓ Domestic hot water and central heating control
- ✓ Integrated flexible user interface and various display technologies available for standard and customer-specific designs
- ✓ Combines tried and tested hardware and software modules from a comprehensive modular system
- ✓ Flexible production of variants thanks to different electronic component configurations
- ✓ Variant management due to a comprehensive selection of parameter banks
- ✓ One product platform for various methods of gas-air ratio controls

# Boiler Control Units – Commercial technology

BCU 900

## + Application

- For commercial applications above 50kW (up to 2MW boilers)
- Integrated cascade control
- Flexibility to configure many systems: preset appliance types
- Configurable inputs and outputs
- Integrated low water cutoff
- Many modes for CH and DHW



## + User Interfaces

- Touchscreen: communication with boiler control via Modbus
- Ethernet connection to web server via web module
- Graphical LCD interface for boiler status, operation and configuration
- Password-protected user levels
- Includes diagnostics software and a smart app for remote control

# Boiler Control Units – Commercial technology Packages

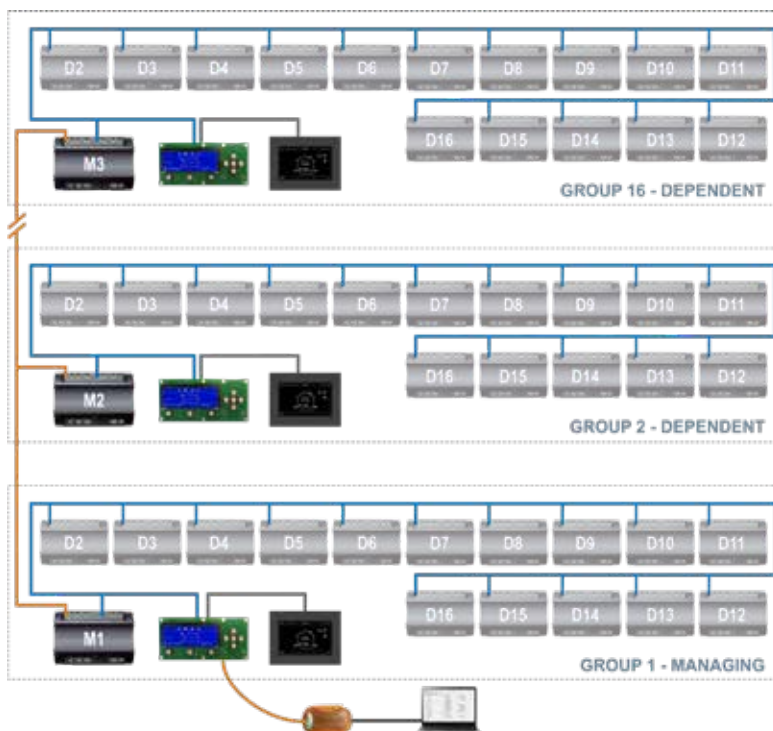


## Description

- Stand-alone and sequenced devices
- Flexible setup and easy configuration
- Multiple heat demand options (on/off, OpenTherm, 0–10V)
- Internal/external spark igniter or hot-surface igniter
- Primary safeguard functions
- Extra safety- and smart control functions

Packages	Cascade operation	Touch screen	User interface	AL-BUS	Modbus	Ethernet	Diagnostics software	Smart app
Commercial Plus	16 boilers x 16 modules	✓	900PB Display + 900TS Touchscreen	✓	✓	✓	✓	✓
Commercial	max. 16 boilers	–	900PB Display	✓	✓	optional	✓	✓
Residential Plus	settings only	–	900LB Display	✓	–	–	✓	✓

**Commercial Plus with integrated cascade control:** Up to 16 boilers x 16 modules (1 managing group and 15 dependent groups) can be connected (max. 256 boilers).



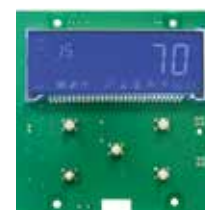
Managing group 1: M1, D2, D3, ...  
 Dependent group 2: M2, D2, D3, ...



900PB Display (Cover assembly)




900TS Touchscreen




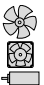
900LB Display

Boiler control units


# ebm-papst in Germany

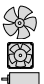
 **Berlin**  
Dipl.-Ing. (TH) Jens Duchow  
Händelstraße 7  
16341 Panketal  
GERMANY  
Phone +49 30 944149-62  
Fax +49 30 944149-63  
Jens.Duchow@de.ebmpapst.com


 **Bielefeld**  
Dipl.-Ing. (FH) Wolf-Jürgen Weber  
Niehausweg 13  
33739 Bielefeld  
GERMANY  
Phone +49 5206 91732-31  
Fax +49 5206 91732-35  
Wolf-Juergen.Weber@de.ebmpapst.com

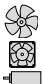
 **Dortmund**  
Dipl.-Ing. (FH) Hans-Joachim Pundt  
Auf den Steinern 3  
59519 Möhnesee-Völlinghausen  
GERMANY  
Phone +49 2925 800-407  
Fax +49 2925 800-408  
Hans-Joachim.Pundt@de.ebmpapst.com

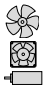
 **Frankfurt**  
Dipl.-Ing. Christian Kleffmann  
Dr.-Hermann-Krause-Straße 23  
63452 Hanau  
GERMANY  
Phone +49 6181 1898-12  
Fax +49 6181 1898-13  
Christian.Kleffmann@de.ebmpapst.com

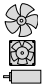
 **Halle**  
Dipl.-Ing. (TU) Michael Hanning  
Lercheneck 4  
06198 Salzdahl / OT Lieskau  
GERMANY  
Phone +49 345 55124-56  
Fax +49 345 55124-57  
Michael.Hanning@de.ebmpapst.com

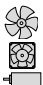
 **Hamburg**  
Ingenieurbüro Breuell GmbH  
Ing. Dirk Kahl  
Elektroingenieur  
Oststraße 96  
22844 Norderstedt  
GERMANY  
Phone +49 40 538092-19  
Fax +49 40 538092-84  
Kahl@breuell-hilgenfeldt.de


 **Heilbronn / Heidelberg**  
Wolfgang Richter  
Büttelsbergweg 18  
97980 Bad Mergentheim-Rengershausen  
GERMANY  
Phone +49 7937 32200-33  
Fax +49 7938 81-110  
Wolfgang.Richter@de.ebmpapst.com

 **Kassel**  
Dipl.-Ing. (FH) Ralph Brück  
Hoherainstraße 3 b  
35075 Gladenbach  
GERMANY  
Phone +49 6462 4071-10  
Fax +49 6462 4071-11  
Ralph.Brueck@de.ebmpapst.com


 **Koblenz**  
Winfried Schaefer  
Hinter der Kirch 10  
56767 Uersfeld  
GERMANY  
Phone +49 2657 16-96  
Fax +49 2657 16-76  
Winfried.Schaefer@de.ebmpapst.com

 **Munich**  
Dipl.-Wirt.-Ing. (FH) Jens Peter  
Landsbergerstraße 14  
86932 Pürgen  
GERMANY  
Phone +49 7971 91909-49  
Fax +49 8196 99877-55  
Jens.Peter@de.ebmpapst.com

 **Nuremberg**  
Dipl.-Wirt.-Ing. (FH) Axel Resch  
Dr.-August-Koch-Str. 1  
91639 Wolframs-Eschenbach  
GERMANY  
Phone +49 9875 9783-170  
Fax +49 9875 9783-171  
Axel.Resch@de.ebmpapst.com

 **Offenburg**  
Dipl.-Ing. (FH) Ralf Braun  
Hubeneck 21  
77704 Oberkirch  
GERMANY  
Phone +49 7802 9822-52  
Fax +49 7802 9822-53  
Ralf.Braun@de.ebmpapst.com

 **Stuttgart**  
Dipl.-Ing. (FH) Rudi Weinmann  
Hindenburgstraße 100/1  
73207 Plochingen  
GERMANY  
Phone +49 7153 9289-80  
Fax +49 7153 9289-81  
Rudi.Weinmann@de.ebmpapst.com

 **Ulm**  
M.Sc. Reinhard Sommerreißer  
Einsteinstraße 7a  
86674 Baar / Schwaben  
GERMANY  
Phone +49 8276 5899-775  
Fax +49 7938 81-110  
Reinhard.Sommerreisser@de.ebmpapst.com

## Distributors

 **Frankfurt**  
R.E.D. Handelsgesellschaft mbH  
Gutenbergstraße 3  
63110 Rodgau - Jügesheim  
GERMANY  
Phone +49 6106 841-0  
Fax +49 6106 841-111  
info@red-elektromechanik.de  
www.red-elektromechanik.de

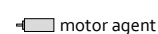
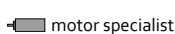
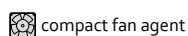
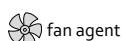
 **Hamburg**  
Breuell + Hilgenfeldt GmbH  
Oststraße 96  
22844 Norderstedt  
GERMANY  
Phone +49 40 538092-20  
Fax +49 40 538092-84  
info@breuell-hilgenfeldt.de

 **Munich**  
A. Schweiger GmbH  
Ohmstraße 1  
82054 Sauerlach  
GERMANY  
Phone +49 8104 897-0  
Fax +49 8104 897-90  
info@schweiger-gmbh.de  
www.schweiger-gmbh.com

● **Express Service-Center** (1 to 5 pieces)

 **North**  
Breuell + Hilgenfeldt GmbH  
Oststraße 96  
22844 Norderstedt  
GERMANY  
Phone +49 40 538092-20  
Fax +49 40 538092-84  
info@breuell-hilgenfeldt.de


 **South**  
HDS Ventilatoren Vertriebs GmbH  
Glaswiesenstraße 1  
74677 Dörzbach  
GERMANY  
Phone +49 7937 80355-20  
Fax +49 7937 80355-25  
info@hds-gmbh.net  
www.hds-gmbh.net



# ebm-papst in Europe


## Europe

 **Austria**  
ebm-papst Motoren & Ventilatoren GmbH  
Straubingstraße 17  
4030 Linz  
AUSTRIA  
Phone +43 732 321150-0  
Fax +43 732 321150-20  
info@at.ebmpapst.com  
www.ebmpapst.at

 **Belarus**  
ebm-papst Bel AgmbH  
4<sup>th</sup> Montazhnikov side street  
House 6, Office 332  
BY-220019 Minsk  
BELARUS  
Phone +375 17 2015216  
Fax +375 17 2015216  
info@by.ebmpapst.com  
www.ebmpapst.by

 **Belgium**  
ebm-papst Benelux B.V.  
Sales office Belgium-Luxemburg  
Romeinsestraat 6/0101  
Research Park Haasrode  
3001 Heverlee-Leuven  
BELGIUM  
Phone +32 16 396-200  
Fax +32 16 396-220  
info@be.ebmpapst.com  
www.ebmpapst.be

 **Bulgaria**  
ebm-papst Romania S.R.L.  
Str. Tarnavei No. 20  
500327 Brasov  
ROMANIA  
Phone +40 268 331859  
Fax +40 268 312805  
dudasludovic@xnet.ro

 **Croatia**  
ebm-papst Industries Kft.  
Ezred u. 2.  
1044 Budapest  
HUNGARY  
Phone +36 1 8722-190  
Fax +36 1 8722-194  
office@hu.ebmpapst.com

 **Cyprus**  
Helcoma  
E. Rota and Co. OE  
Davaki 65  
17672 Kallithea-Attiki  
GREECE  
Phone +30 210 9513-705  
Fax +30 210 9513-490  
contact@helcoma.gr  
www.helcoma.gr

 **Czech Republic / Slovakia**  
ebm-papst CZ s.r.o.  
Kaštanová 34a  
620 00 Brno  
CZECH REPUBLIC  
Phone +420 544 502-411  
Fax +420 547 232-622  
info@ebmpapst.cz  
www.ebmpapst.cz


 **Denmark**  
ebm-papst Denmark ApS  
Vallensbækvej 21  
2605 Brøndby  
DENMARK  
Phone +45 43 631111  
Fax +45 43 630505  
mail@dk.ebmpapst.com  
www.ebmpapst.dk

 **Estonia**  
ebm-papst Oy, Eesti Filiaal  
Kesk tee 21  
Aaviku küla, Jüri Tehnпарк  
75301 Rae Vald, Harjumaa  
ESTONIA  
Phone +372 65569-78  
www.ebmpapst.ee

 **Finland**  
ebm-papst Oy  
Puistotie 1  
02760 Espoo  
FINLAND  
Phone +358 9 887022-0  
Fax +358 9 887022-13  
mailbox@ebmpapst.fi  
www.ebmpapst.fi

 **France**  
ebm-papst sarl  
Parc d'Activités Nord  
1 rue Mohler – BP 62  
67212 Obernai Cedex  
FRANCE  
Phone +33 3 88 66 88 03  
info@ebmpapst.fr  
www.ebmpapst.fr

 **Greece**  
HELCOMA  
HELLAS IKE  
65, Davaki street  
17672 Kallithea-Attiki  
GREECE  
Phone +30 210 9513-705  
Fax +30 210 9513-490  
contact@helcoma.gr  
www.helcoma.gr

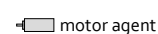
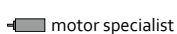
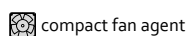
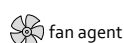
 **Hungary**  
ebm-papst Industries Kft.  
Ezred u. 2.  
1044 Budapest  
HUNGARY  
Phone +36 1 8722-190  
Fax +36 1 8722-194  
office@hu.ebmpapst.com

 **Iceland**  
RJ Engineers  
Stangarhyl 1a  
110 Reykjavik  
ICELAND  
Phone +354 567 8030  
Fax +354 567 8015  
rj@rj.is  
www.rj.is


 **Ireland**  
ebm-papst UK Ltd.  
Chelmsford Business Park  
Chelmsford Essex CM2 5EZ  
UNITED KINGDOM  
Phone +44 1245 468555  
Fax +44 1245 466336  
sales@uk.ebmpapst.com  
www.ebmpapst.co.uk

 **AuBren Limited**  
Portlaoise Business & Technology Park  
Mountrath Road  
Portlaoise, Co. Laois  
IRELAND  
Phone +353 57 8664343  
Fax +353 57 8664346  
sales@ie.aubren.com  
www.aubren.com

 **Italy**  
ebm-papst Srl  
Via Cornaggia 108  
22076 Mozzate (Co)  
ITALY  
Phone +39 0331 836201  
Fax +39 0331 821510  
info@it.ebmpapst.com  
www.ebmpapst.it



# ebm-papst in Europe

**Macedonia**  
ebm-papst Industries Kft.  
Ezred u. 2.  
1044 Budapest  
HUNGARY  
Phone +36 1 8722-190  
Fax +36 1 8722-194  
office@hu.ebmpapst.com

**Netherlands**  
ebm-papst Benelux B.V.  
Polbeemd 7 - 5741 TP Beek en Donk  
P.O. Box 140 - 5740 AC Beek en Donk  
NETHERLANDS  
Phone +31 492 502-900  
Fax +31 492 502-950  
verkoop@nl.ebmpapst.com  
www.ebmpapst.nl


ebm-papst Heating Systems B.V.  
Van Veldekecade 360  
5216 KT 's-Hertogenbosch  
NETHERLANDS  
Phone +31 73 648 89 00  
Fax +31 73 648 89 11  
info@ebmpapst-hs.nl  
www.ebmpapst-hs.nl

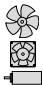
**Norway**  
ebm-papst AS  
P.B. 173 Holmlia  
1203 Oslo  
NORWAY  
Phone +47 22 763340  
Fax +47 22 619173  
mailbox@ebmpapst.no  
www.ebmpapst.no

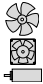
**Poland**  
ebm-papst Polska Sp. z o.o.  
ul. Annopol 4A  
03236 Warszawa  
POLAND  
Phone +48 22 6757819  
Fax +48 22 6769587  
office@ebmpapst.pl  
www.ebmpapst.pl


**Portugal**  
ebm-papst (Portugal), Lda.  
Centro Empresarial de Alverca  
Rua de Adarse, Vale D'Ervas  
Corpo D / Fracção 3  
2615-178 Alverca do Ribatejo  
PORTUGAL  
Phone +351 218 394 880  
Fax +351 218 394 759  
info@pt.ebmpapst.com  
www.ebmpapst.pt

**Romania**  
ebm-papst Romania S.R.L.  
Str. Tarnavei Nr. 20  
500327 Brasov  
ROMANIA  
Phone +40 268 331859  
Fax +40 268 312805  
dudasludovic@xnet.ro

**Russia**  
ebm-papst Rus GmbH  
Olimpiyskiy prospect 29A, office 418  
141006 Mytistschi, Oblast Moskau  
RUSSIA  
Phone +7 495 9807524  
Fax +7 495 5140924  
info@ebmpapst.ru  
www.ebmpapst.ru

**ebm-papst Ural GmbH**  
Posadskaja-Strasse, 23(E), 3  
620102 Ekaterinburg  
RUSSIA  
Phone +7 343 2338000  
Fax +7 343 2337788  
Konstantin.Molokov@ru.ebmpapst.com  
www.ebmpapst.ru


**Serbia & Montenegro**  
ebm-papst Industries Kft.  
Ezred u. 2.  
1044 Budapest  
HUNGARY  
Phone +36 1 8722-190  
Fax +36 1 8722-194  
office@hu.ebmpapst.com

**Spain**  
ebm-papst Ibérica S.L.  
Avda. del Sistema Solar, 29  
28830 San Fernando de Henares (Madrid)  
SPAIN  
Phone +34 91 6780894  
Fax +34 91 6781530  
ventas@ebmpapst.es  
www.ebmpapst.es

**Sweden**  
ebm-papst AB  
Äggelundavägen 2  
17562 Järfälla  
SWEDEN  
Phone +46 10 4544400  
Fax +46 8 362306  
info@ebmpapst.se  
www.ebmpapst.se

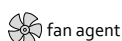
**Switzerland**  
ebm-papst AG  
Rütisbergstrasse 1  
8156 Oberhasli  
SWITZERLAND  
Phone +41 44 73220-70  
Fax +41 44 73220-77  
verkauf@ebmpapst.ch  
www.ebmpapst.ch

**Turkey**  
Akantel Elektronik San. Tic. LTD. Sti.  
Atatürk Organize Sanayi  
Bölgesi 10007 SK. No.:6  
35620 Cigli-Izmir  
TURKEY  
Phone +90 232 3282090  
Fax +90 232 3280270  
akantel@akantel.com.tr  
www.ebmpapst.com.tr

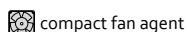
**Ukraine**  
ebm-papst Ukraine LLC  
Lepse Boulevard, 4, Building 21  
03067 Kiev  
UKRAINE  
Phone +38 044 2063091  
Fax +38 044 2063091  
mail@ebmpapst.ua  
www.ebmpapst.ua

**United Kingdom**  
ebm-papst UK Ltd.  
Chelmsford Business Park  
Chelmsford Essex CM2 5EZ  
UNITED KINGDOM  
Phone +44 1245 468555  
Fax +44 1245 466336  
sales@uk.ebmpapst.com  
www.ebmpapst.co.uk

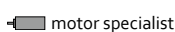
**ebm-papst Automotive & Drives (UK) Ltd.**  
The Smithy  
Fidlers Lane  
East Ilsley, Berkshire RG20 7LG  
UNITED KINGDOM  
Phone +44 1635 2811-11  
Fax +44 1635 2811-61  
A&Dsales@uk.ebmpapst.com  
www.ebmpapst-ad.com



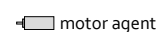
fan agent



compact fan agent



motor specialist



motor agent



# ebm-papst in America & Africa

## America



### Argentina

ebm-papst Argentina S.A.  
Parque Industrial Canning Etapa II - Nave  
61A, Perito Moreno 845, Canning (1804),  
Buenos Aires  
ARGENTINA  
Phone +54 11 46576135  
Fax +54 11 46572092  
ventas@ar.ebmpapst.com  
www.ebmpapst.com.ar



### Brazil

ebm-papst Motores Ventiladores Ltda.  
Av. José Giorgi, 301 Galpões B6+B7  
Condominio Logical Center  
06707-100 Cotia - São Paulo  
BRAZIL  
Phone +55 11 4613-8700  
Fax +55 11 4777-1456  
vendas@br.ebmpapst.com  
www.ebmpapst.com.br



### Canada

ebm-papst Canada Inc.  
419 King Street West, Suite 603A  
Oshawa, ON, L1J2K5  
CANADA  
Phone +1 905 420-3533  
Fax +1 905 420-3772  
sales@ca.ebmpapst.com  
www.ebmpapst.ca



### Mexico

ebm Industrial S. de R.L. de C.V.  
Paseo de Tamarindos 400-A-5to Piso  
Col. Bosques de las Lomas  
Mexico 05120, D.F.  
MEXICO  
Phone +52 55 3300-5144  
Fax +52 55 3300-5243  
sales@mx.ebmpapst.com  
www.ebmpapst.com.mx

## USA



ebm-papst Inc.  
P.O. Box 4009  
100 Hyde Road  
Farmington, CT 06034  
UNITED STATES  
Phone +1 860 674-1515  
Fax +1 860 674-8536  
sales@us.ebmpapst.com  
www.ebmpapst.us



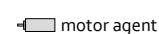
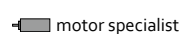
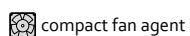
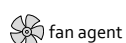
ebm-papst Inc.  
Automotive & Drives Business Unit  
3200 Greenfield Road, Suite 130  
Dearborn, MI 48120  
UNITED STATES  
Phone +1 313 406-8080  
Fax +1 313 406-8081  
automotive@us.ebmpapst.com  
www.ebmpapst-automotive.us

## Africa



### South Africa

ebm-papst South Africa (Pty) Ltd.  
P.O. Box 3124  
1119 Yacht Avenue  
2040 Honeydew  
SOUTH AFRICA  
Phone +27 11 794-3434  
Fax +27 11 794-5020  
info@za.ebmpapst.com  
www.ebmpapst.co.za



# ebm-papst in Asien

## Asia



### China

ebm-papst Ventilator (Shanghai) Co., Ltd.  
No. 418, Huajing Road  
WaiGaoQiao Free Trade Zone  
No. 2001, Yang Gao (N) Road  
200131 Shanghai  
P.R. of CHINA  
Phone +86 21 5046-0183  
Fax +86 21 5046-1119  
sales@cn.ebmpapst.com  
www.ebmpapst.com.cn



### Hong Kong

ebm-papst Hong Kong Ltd.  
Room 17E, MG Tower  
133 Hoi Bun Road, Kwun Tong  
Hong Kong  
P.R. of CHINA  
Phone +852 2145-8678  
Fax +852 2145-7678  
info@hk.ebmpapst.com



### India

ebm-papst India Pvt. Ltd.  
26/3, G.N.T. Road, Erukkencherry  
Chennai-600118  
INDIA  
Phone +91 44 25372556  
Fax +91 44 25371149  
sales@in.ebmpapst.com  
www.ebmpapst.in



### Indonesia

ebm-papst  
Representative Office Indonesia  
German Centre, 4th Floor, Suite 4470  
Jl. Kapt. Subijono Dj. Bumi Serpong Damai  
Tangerang 15321  
INDONESIA  
Phone +62 21 5376250-52  
Fax +62 21 5388305  
sales@id.ebmpapst.com



### Israel

Polak Bros. Import Agencies Ltd.  
9 Hamefalsim Street  
Kiryat Arie, Petach-Tikva 49514  
ISRAEL  
Phone +972 3 9100300  
Fax +972 3 5796679  
polak@polak.co.il  
www.polak.co.il



### Japan

ebm-papst Japan K.K.  
Attend on Tower 13F  
Shinyokohama 2-8-12, Kohoku-ku  
222-0033 Yokohama-City, Kanagawa  
JAPAN  
Phone +81 45 47057-51  
Fax +81 45 47057-52  
info@jp.ebmpapst.com  
www.ebmpapst.jp



### Korea

ebm-papst Korea Co. Ltd.  
A-13F, Doosan The Land Tower  
152, Magokseo-ro  
Gangseo-gu  
Seoul 07788  
KOREA  
Phone +82 2 366213-24  
Fax +82 2 366213-26  
info@kr.ebmpapst.com  
www.ebmpapst.co.kr



### Malaysia

ebm-papst Malaysia  
Representative Office  
No. 16-1, Jalan Putra Mahkota 7/5A  
Putra Heights  
47650 Subang Jaya  
Selangor Darul Ehsan  
MALAYSIA  
Phone +60 3 5192-7688  
Fax +60 3 5614-3078  
sales@my.ebmpapst.com



### Philippines

ebm-papst SEA Pte. Ltd.  
Representative Office (Philippines)  
Coherco Financial Tower  
Trade Street Corner Investment Drive  
Unit 1101 Madrigal Business Park  
1799 Ayala Alabang / Muntinlupa City  
Telefon: +63 02 8042747  
Fax: +63 02 8042757  
sales@ph.ebmpapst.com



### Singapore

ebm-papst SEA Pte. Ltd.  
10 Changi South Street 2  
#01-01/02  
Singapore 486596  
SINGAPORE  
Phone +65 65513789  
Fax +65 68428439  
sales@sg.ebmpapst.com



### Taiwan

ETECO Engineering & Trading Corp.  
10F-I, No. 92, Teh-Wei Str.  
Tsow-Inn District, Kaohsiung  
TAIWAN  
Phone +886 7 557-4268  
Fax +886 7 557-2788  
eteco@ms22.hinet.net  
www.ebmpapst.com.tw



### Thailand

ebm-papst Thailand Co., Ltd.  
99/9 Moo 2, Central Chaengwattana Tower  
8th Floor, Room 801-802  
Chaengwattana Road Bangtarad, Pakkret  
11120 Nonthaburi  
THAILAND  
Phone +66 2 8353785-7  
Fax +66 2 8353788  
salesdept@th.ebmpapst.com



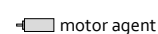
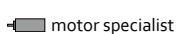
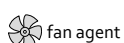
### United Arab Emirates

ebm-papst Middle East FZE  
PO Box 17755  
Jebel Ali Free Zone / FZS1 / AP05  
Dubai  
UNITED ARAB EMIRATES  
Phone +971 4 88608-26  
Fax +971 4 88608-27  
info@ae.ebmpapst.com  
www.ebmpapst.ae



### Vietnam

ebm-papst SEA Pte. Ltd.  
Representative Office Vietnam  
Floor M, Phuong Long Building,  
506 Nguyen Dinh Chieu Street,  
Ward 4, District 3,  
Ho Chi Minh City  
VIETNAM  
Phone +84 28 3929 0699  
Fax +84 28 3929 0669  
sales@vn.ebmpapst.com



# ebm-papst in Ozeanien

## Oceania



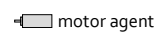
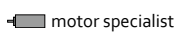
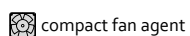
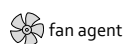
### Australia

ebm-papst A&NZ Pty Ltd.  
10 Oxford Road  
Laverton North, Victoria, 3026  
AUSTRALIA  
Phone +61 3 9360-6400  
Fax +61 3 9360-6464  
sales@ebmpapst.com.au  
www.ebmpapst.com.au



### New Zealand

ebm-papst A&NZ Pty Ltd.  
61 Hugo Johnston Drive, Unit H  
Penrose 1061, Auckland  
NEW ZEALAND  
PO Box 112278,  
Penrose 1642, Auckland  
Phone +64 9 525-0245  
Fax +64 9 525-0246  
sales@ebmpapst.com.au  
www.ebmpapst.com.au



**ebmpapst**

the engineer's choice

**ebm-papst**  
**Landshut GmbH**

Hofmark-Aich-Straße 25  
84030 Landshut  
Germany  
Phone +49 871 707-0  
Fax +49 871 707-465  
info3@de.ebmpapst.com